



TRACTION WHEEL HUB ASSEMBLIES



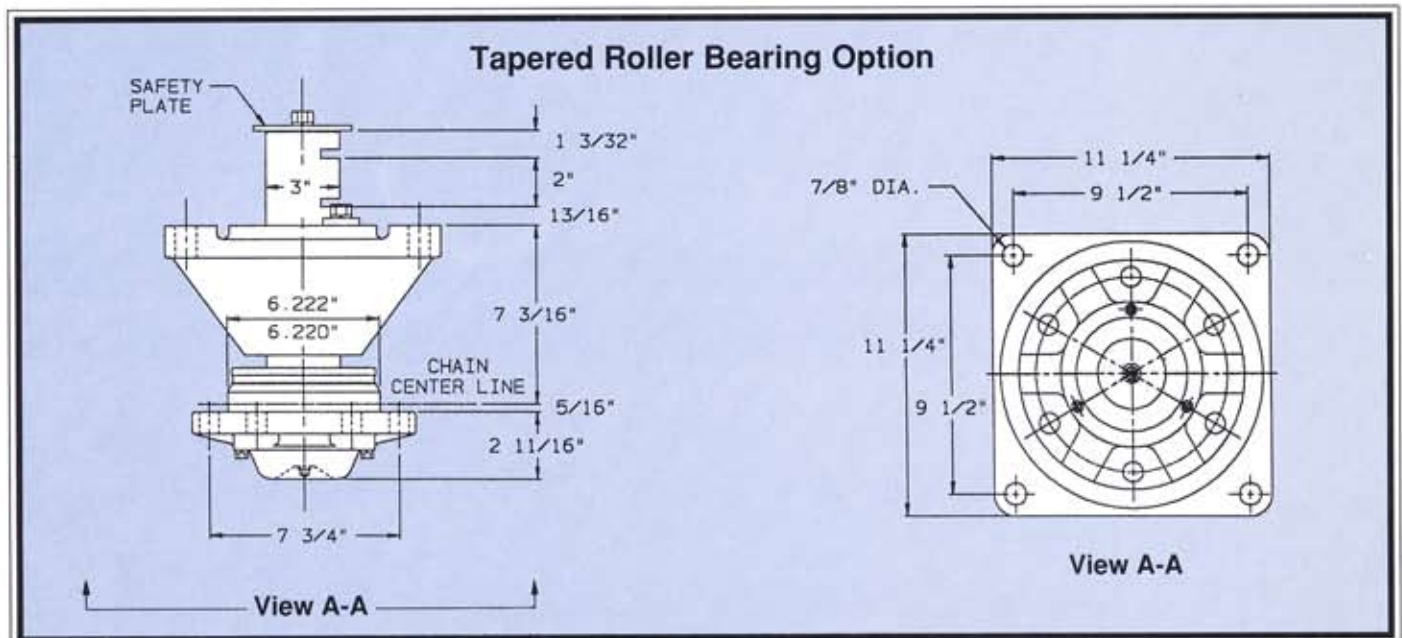
- Traction wheel hub assemblies are in stock and available for quick shipment.
- PCI hub assemblies are interchangeable with most other manufacturer's hubs.
- Hub assemblies are adjustable for standard 7 3/16", 8" and 10" drops. (Special drops by request)
- Assemblies are used with traction wheel or sprocket turns on 348, 458 and 678 overhead trolley conveyors.
- Units have a set of tapered roller bearings at the top and bottom of the hub with a combination Buna-n rubber lip seal and a steel shield at the top to protect the bearings from contamination.
- The bottom lube fitting insures that both bearings will be properly lubricated.
- Should the shaft keeper plate become dislodged, a safety plate at the end of the shaft prevents the shaft from falling through the base.

PART NUMBER	TYPE	MAX. CAPACITY	WEIGHT	MAX. TEMP.
TWHA410	Tapered Roller Bearing	8000 lbs.	105 lbs.	250° F
TWHA626	Metallized Graphite	8000 lbs.	118 lbs.	750° F

Other Products Available from PCI:

- Track Rollers
- Multiple Crown Pulleys
- Flat Faced Pulleys
- Machined Shafts
- Track Systems
- Special Rollers

Application:



PCI, ProCal Inc.

www.pcimfg.com

e-mail: sales@pcimfg.com or drawings@pcimfg.com

Phone: 989.358.7070 Fax: 989.358.7075

Toll Free 800.323.0966