

**LOAD BEARING  
ROLLER ASSEMBLIES**



# **TOP DRIVE ROLLERS**



Comparable Replacements for  
#30158767-04 / F76105 - 4" Diameter Top Drive Roller  
#30155438 / F76139 - 6" Diameter Top Drive Roller

**989.358.6148**  
**[www.pcimfg.com](http://www.pcimfg.com)**

# TDR Series Roller Assembly

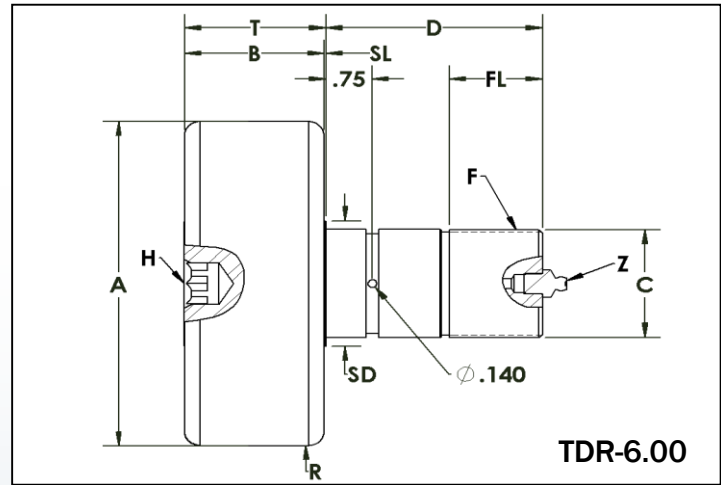
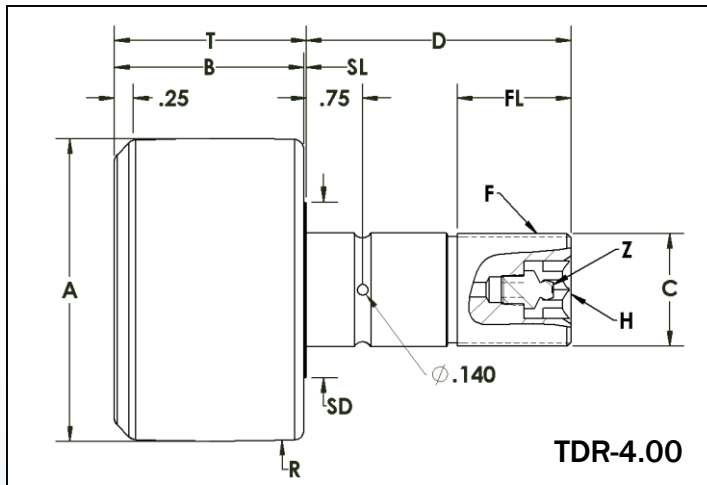
Top Drive Rollers

Double Row Cylindrical Roller Bearings / Needle Bearings



989.358.6148

www.pcmfg.com



Stud Type TDR Roller Part Number	A	B	C	D	FL	F	H	R	SD	SL	T	Z
	Roller Dia. +.000 -.001	Roller Width	Stud Dia. +.000 -.001	Stud Length	Thread Length	Thread Size	Hex Size	Crown Radius	Shoulder Dia.	Shoulder Length	Roller Width + Shoulder Length	Lube Size
TDR-4.00-1	4.000	2.50	1.500	3.50	1.50	1 1/2 - 12	3/4	30	2.3	0.03	2.53	1/8-27 NPT
TDR-4.00-2	4.000	2.50	1.500	3.50	1.50	1 1/2 - 12	3/4	30	2.3	0.03	2.53	1/8-27 NPT
TDR-4.00-3	4.000	2.50	1.500	3.50	1.50	1 1/2 - 12	3/4	30	2.9	0.03	2.53	1/8-27 NPT
TDR-6.00-1	6.000	2.25	2.000	3.50	1.50	2 - 12	3/4	48	2.3	0.03	2.28	1/8-27 NPT
TDR-6.00-2	6.000	2.25	2.000	3.50	1.50	2 - 12	3/4	48	2.3	0.03	2.28	1/8-27 NPT
TDR-6.00-3	6.000	2.25	2.000	3.30	1.50	2 - 12	3/4	48	2.9	0.03	2.28	1/8-27 NPT
TDR-6.00-4	6.000	2.25	2.000	3.30	1.50	2 - 12	3/4	48	2.9	0.03	2.28	1/8-27 NPT
TDR-6.00-5	6.000	2.25	2.000	3.30	1.50	2 - 12	3/4	48	2.3	0.03	2.28	1/8-27 NPT

Stud Type TDR Roller Part Number	Basic Radial Dynamic Load Rating (lbs) C	Basic Radial Static Load Rating (lbs) Co	Stud Capacity (lbs)	Max. Clamping Torque (in-lbs)*	Seal Type	Bearing Type	Finish	Approx. Roller Weight (lbs)
TDR-4.00-1	47,200	67,200	19,100	2,250	Rubber Lip	FC DCRB	Thin Dense Chrome	8.88
TDR-4.00-2	47,200	67,200	19,100	2,250	Rubber Lip	FC DCRB-SS	Thin Dense Chrome	8.88
TDR-4.00-3	30,270	89,540	19,100	2,250	Moly-Filled Nylon Lip	FC Needle	Thin Dense Chrome	9.31
TDR-6.00-1	47,200	67,200	50,250	2,250	Rubber Lip	FC DCRB	Thin Dense Chrome	19.62
TDR-6.00-2	47,200	67,200	50,250	2,250	Rubber Lip	FC DCRB-SS	Thin Dense Chrome	19.62
TDR-6.00-3	30,270	89,540	50,250	2,250	Moly-Filled Nylon Lip	FC Needle	Thin Dense Chrome	19.85
TDR-6.00-4	30,270	89,540	50,250	2,250	Moly-Filled Nylon Lip	FC Needle	Black Oxide	19.85
TDR-6.00-5	47,200	67,200	50,250	2,250	Rubber Lip	FC DCRB	Thin Dense Chrome	19.46

## ADDITIONAL NOTES

\*For lubricated threads, use half the maximum clamping torque value shown.

FC DCRB: Full Compliment Double Row Cylindrical Roller Bearings- Alloy Steel

FC DCRB-SS: Full Compliment Double Row Cylindrical Roller Bearings- 440C Stainless Steel

FC Needle: Full Compliment Needle Roller Bearings - Alloy Steel

Lubrication Fitting included with roller assembly. Jam Nut & Lock Washer sets are available at an additional cost.

Specifications subject to change without notice.