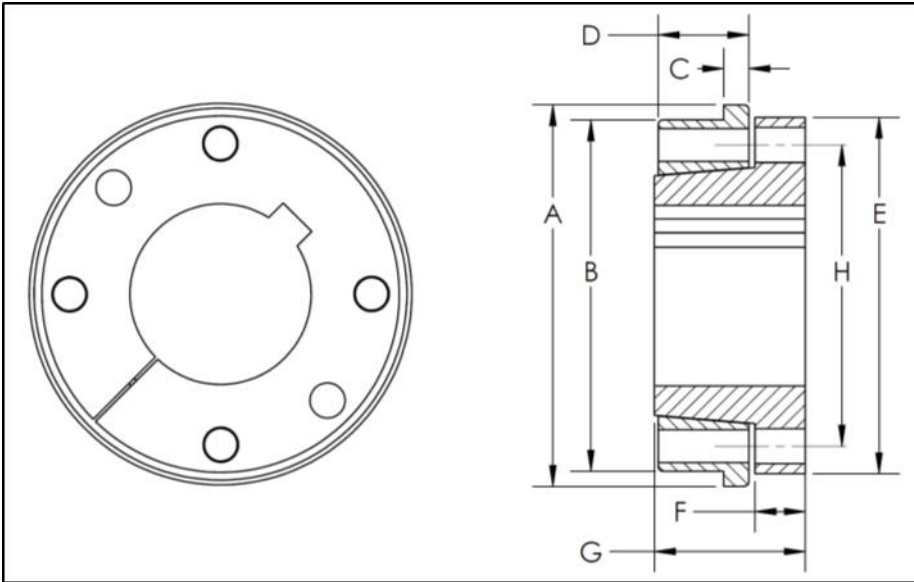


ACCESSORIES

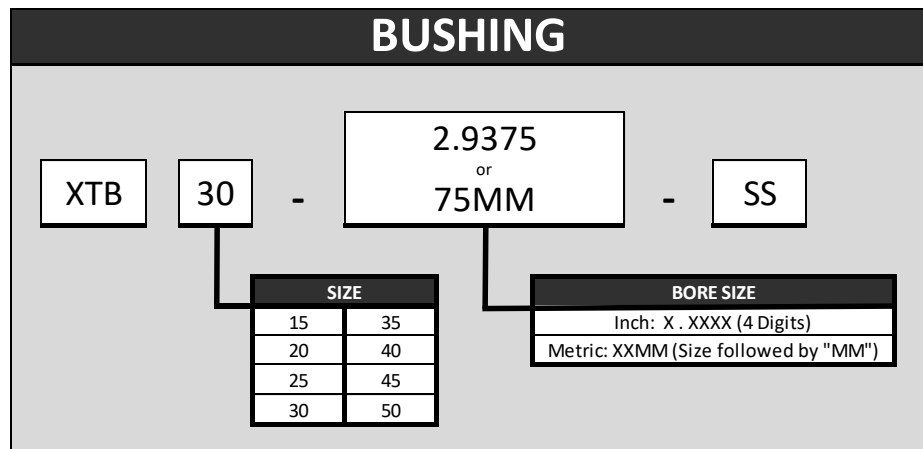
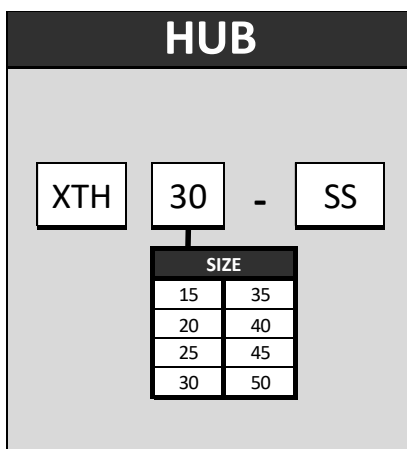
Stainless Steel Compression Hubs & Bushings XT® Style



Precision Machined 300 Series Stainless Steel
2" Taper per Foot
Stock Availability
Inch and Metric Bore Sizes
Made in the USA

Hub Bushing	HUB SPECIFICATIONS				BUSHING SPECIFICATIONS								
	A	B	C	D	E	F	G	H	# of Bolts	Bolt Size	Maximum Bolt Torque (in/lbs)	Maximum Bore	
	Flange Dia.	Pilot Dia.	Flange Width	Total Length	Flange Dia.	Flange Width	Total Length	Bolt Circle				inch	mm
XT15	3.250	2.875	0.188	0.625	2.875	0.375	1.125	2.438	4	1/4	75	1-1/2	35
XT20	4.125	3.813	0.250	0.813	3.750	0.469	1.406	3.188	4	5/16	130	2	50
XT25	4.750	4.375	0.313	1.125	4.438	0.625	1.875	3.750	4	3/8	230	2-1/2	65
XT30	6.000	5.750	0.375	1.250	5.313	0.688	2.063	4.563	4	7/16	370	3	75
XT35	6.625	6.344	0.438	1.500	6.313	0.781	2.469	5.438	4	1/2	510	3-1/2	90
XT40	7.625	7.250	0.500	1.750	7.125	0.875	2.818	6.125	4	9/16	680	4	100
XT45	8.375	8.000	0.625	2.125	8.000	0.938	3.313	6.875	4	5/8	1110	4-1/2	110
XT50	10.000	9.563	0.750	2.500	10.125	1.000	3.750	8.313	4	3/4	1530	5	125

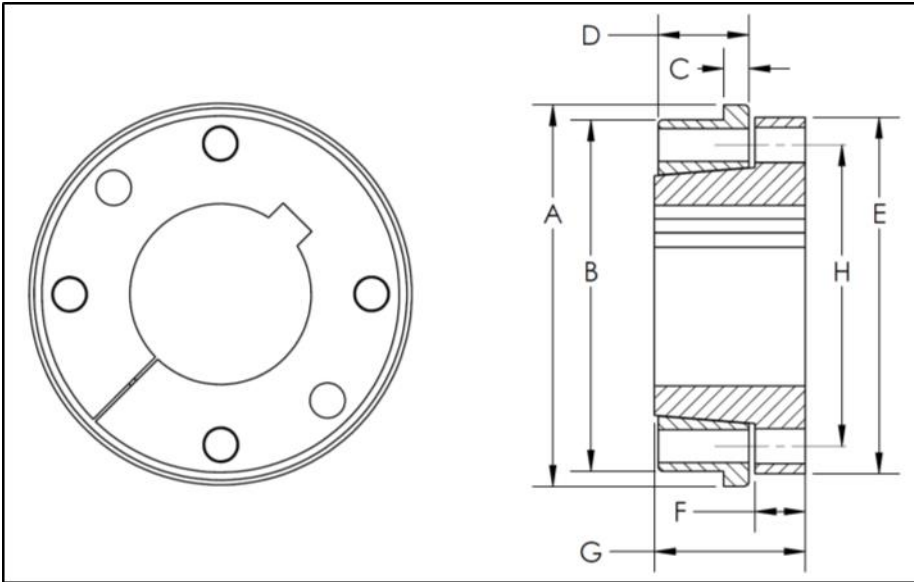
Nomenclature



XT® is a registered trademark of Van Gorp Corp.

ACCESSORIES

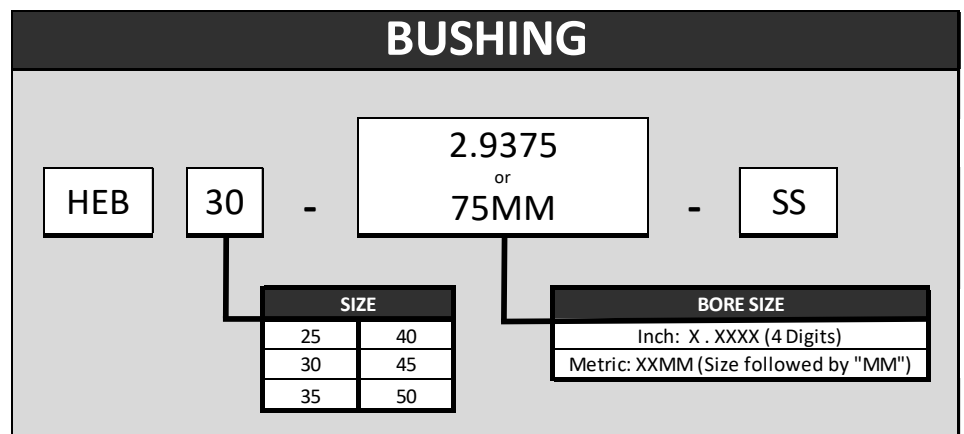
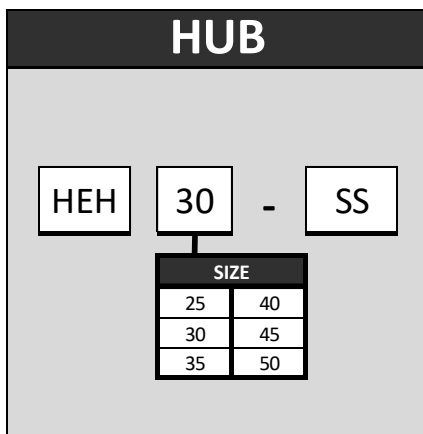
Stainless Steel Compression Hubs & Bushings HE Style



Precision Machined 300 Series Stainless Steel
3" Taper per Foot
Stock Availability
Inch and Metric Bore Sizes
Made in the USA

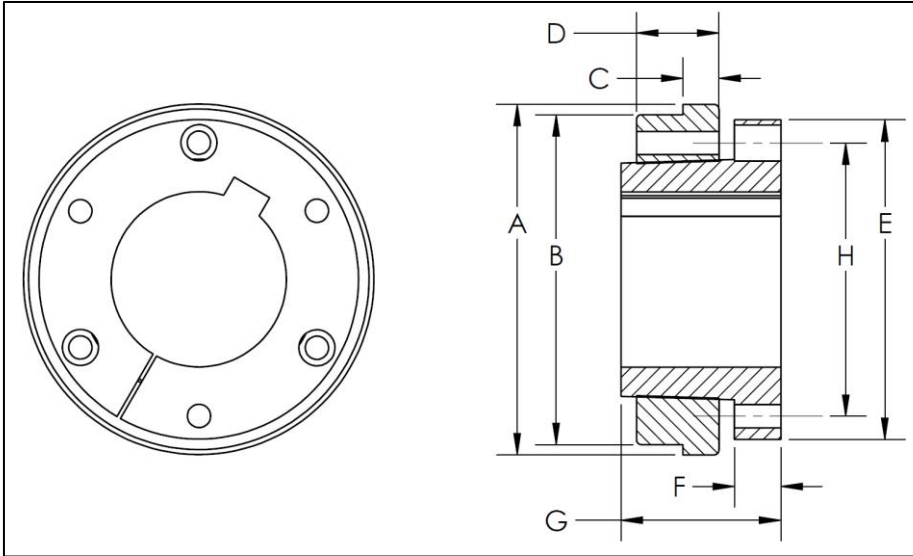
Hub Bushing	HUB SPECIFICATIONS				BUSHING SPECIFICATIONS								
	A	B	C	D	E	F	G	H	# of Bolts	Bolt Size	Maximum Bolt Torque (in/lbs)	Maximum Bore	
	Flange Dia.	Pilot Dia.	Flange Width	Total Length	Flange Dia.	Flange Width	Total Length	Bolt Circle				inch	mm
HE25	4.700	4.499	0.318	1.140	4.625	0.750	1.805	3.938	4	3/8	230	2-1/2	65
HE30	6.000	5.750	0.380	1.265	5.625	0.875	2.200	4.688	4	1/2	510	3	75
HE35	6.910	6.627	0.505	1.515	6.625	0.875	2.780	5.563	4	9/16	680	3-1/2	90
HE40	8.420	8.000	0.505	1.765	7.500	1.000	2.925	6.313	4	5/8	1110	4	100
HE45	9.000	8.499	0.630	2.140	8.750	1.250	3.200	7.313	6	5/8	1110	4-1/2	110
HE50	10.000	9.562	0.725	2.515	9.625	1.500	3.700	8.000	6	3/4	1530	5	125

Nomenclature



ACCESSORIES

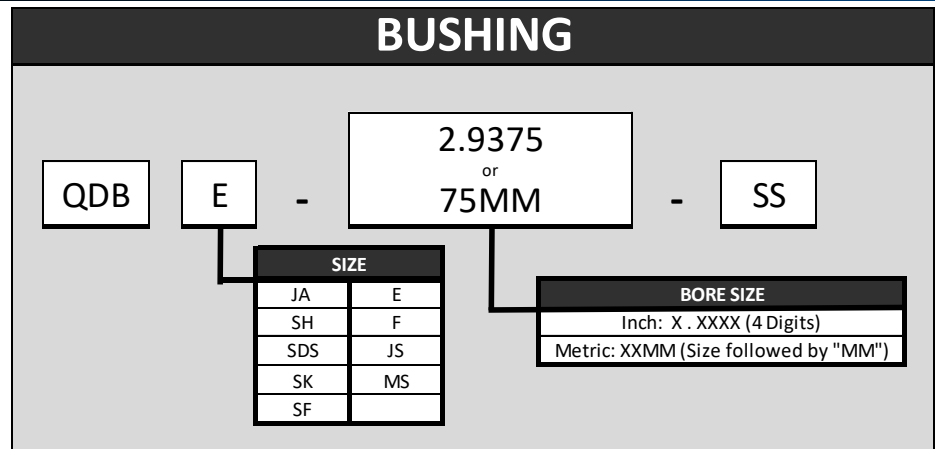
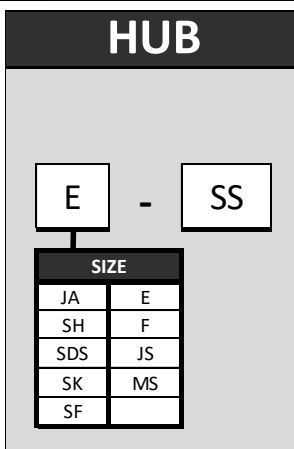
Stainless Steel Compression Hubs & Bushings QD® Style



Precision Machined 300 Series Stainless Steel
3/4" Taper per Foot
Stock Availability
Inch and Metric Bore Sizes
Made in the USA

Hub Bushing	HUB SPECIFICATIONS				BUSHING SPECIFICATIONS								
	A	B	C	D	E	F	G	H	# of Bolts	Bolt Size	Maximum Bolt Torque (in/lbs)	Maximum Bore	
	Flange Dia.	Pilot Dia.	Flange Width	Total Length	Flange Dia.	Flange Width	Total Length	Bolt Circle				inch	mm
JA	2.313	2.125	0.375	0.563	2.000	0.313	1.000	1.656	3	10-24	20	1-1/4	25
SH	3.125	2.875	0.500	0.813	2.625	0.438	1.313	2.250	3	1/4	75	1-11/16	35
SDS	3.625	3.375	0.438	0.750	3.125	0.438	1.313	2.688	3	1/4	75	2	40
SK	4.250	4.000	0.438	1.000	3.875	0.563	1.938	3.313	3	5/16	130	2/5/8	55
SF	5.000	4.750	0.438	1.000	4.625	0.625	2.063	3.875	3	3/8	230	2-15/16	60
E	6.250	6.000	0.500	1.125	6.000	0.875	2.750	5.000	3	1/2	510	3-1/2	75
F	7.000	6.750	0.563	1.250	6.625	1.000	3.750	5.625	3	9/16	680	4	90
JS	8.250	8.000	0.625	1.625	7.250	1.000	3.375	6.250	3	5/8	1110	4-1/2	110
MS	9.500	9.250	0.750	2.370	9.000	1.188	4.813	7.875	4	3/4	1530	5-1/2	120

Nomenclature



QD® is a registered trademark of Emerson Electric Corp.

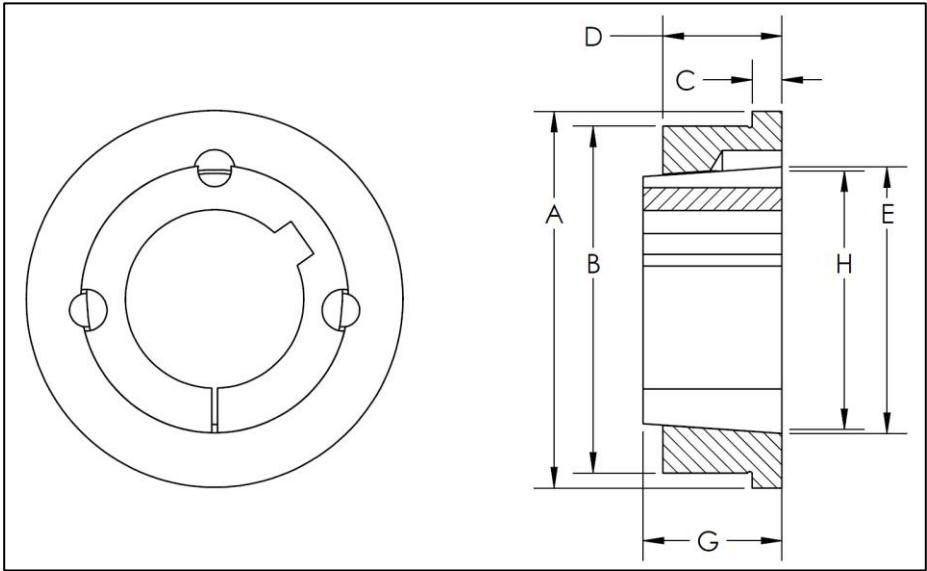


(989)358-6149

www.pcimfg.com

ACCESSORIES

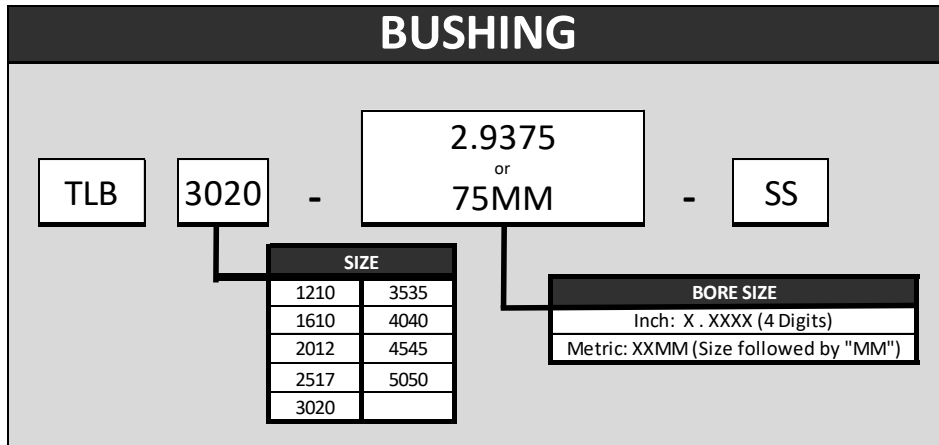
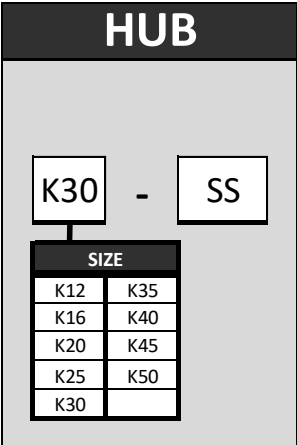
Stainless Steel Compression Hubs & Bushings Taper-Lock® Style



Precision Machined 300 Series Stainless Steel
1-11/16" Taper per Foot
Stock Availability
Inch and Metric Bore Sizes
Made in the USA

Hub Bushing	HUB SPECIFICATIONS				BUSHING SPECIFICATIONS							
	A	B	C	D	E	G	H	# of Bolts	Bolt Size	Maximum Bolt Torque (in/lbs)	Maximum Bore	
	Flange Dia.	Pilot Dia.	Flange Width	Total Length	Bushing Dia.	Total Length	Bolt Circle				inch	mm
1210	2.875	2.500	0.313	0.875	1.875	1.000	1.750	2	3/8	115	1-1/4	30
1610	3.250	2.875	0.313	0.875	2.250	1.000	2.125	2	3/8	115	1-11/16	40
2012	3.750	3.438	0.313	1.000	2.750	1.250	2.625	2	7/16	185	2	45
2517	4.750	4.375	0.375	1.500	3.375	1.750	3.250	2	1/2	255	2-1/2	65
3020	5.500	5.125	0.375	1.625	4.250	2.000	4.000	2	5/8	555	3	75
3535	6.750	6.250	0.500	1.625	5.000	3.500	4.828	3	1/2	700	3-1/2	90
4040	7.750	7.250	0.500	2.125	5.750	4.000	5.548	3	5/8	1110	4	100
4545	8.500	8.000	0.625	2.625	6.375	4.500	6.125	3	3/4	1520	4-1/2	115
5050	9.250	8.750	0.625	2.875	7.000	5.000	6.719	3	7/8	1930	5	125

Nomenclature



Taper-Lock® is a registered trademark of Reliance Electric



(989)358-6149

www.pcimfg.com

ACCESSORIES

Stainless Steel Compression Hubs & Bushings

Key Sizes – XT® Bushings



Imperial Sized Product (inches)						
	Bore Range		Keyseat Size		Key Stock Size	
			Bushings	Axle	F: Full S: Shallow N: None	
	min	max				
XT15	5/8	7/8	3/16 X 3/32	3/16 X 3/32	3/16 X 3/16	F
	15/16	1-1/4	1/4 X 1/8	1/4 X 1/8	1/4 X 1/4	
	1-5/16	1-3/8	5/16 X 5/32	5/16 X 5/32	5/16 X 5/16	S
	1-7/16	1-1/2	3/8 X 1/8	3/8 X 3/16	3/8 X 5/16	
XT20	3/4	7/8	3/16 X 3/32	3/16 X 3/32	3/16 X 3/16	F
	15/16	1-1/4	1/4 X 1/8	1/4 X 1/8	1/4 X 1/4	
	1-5/16	1-3/8	5/16 X 5/32	5/16 X 5/32	5/16 X 5/16	
	1-7/16	1-3/4	3/8 X 3/16	3/8 X 3/16	3/8 X 3/8	S
	1-13/16	2	1/2 X 3/16	1/2 X 1/4	1/2 X 7/16	
XT25	1	1-1/4	1/4 X 1/8	1/4 X 1/8	1/4 X 1/4	F
	1-5/16	1-3/8	5/16 X 5/32	5/16 X 5/32	5/16 X 5/16	
	1-7/16	1-3/4	3/8 X 3/16	3/8 X 3/16	3/8 X 3/8	
	1-13/16	2-1/4	1/2 X 1/4	1/2 X 1/4	1/2 X 1/2	S
	2-5/16	2-1/2	5/8 X 1/8	5/8 X 5/16	5/8 X 7/16	
XT30	1-7/16	1-3/4	3/8 X 3/16	3/8 X 3/16	3/8 X 3/8	F
	1-13/16	2-1/4	1/2 X 1/4	1/2 X 1/4	1/2 X 1/2	
	2-5/16	2-3/4	5/8 X 5/16	5/8 X 5/16	5/8 X 5/8	S
	2-13/16	3	3/4 X 3/16	3/4 X 3/8	3/4 X 9/16	
XT35	1-15/16	2-1/4	1/2 X 1/4	1/2 X 1/4	1/2 X 1/2	F
	2-5/16	2-3/4	5/8 X 5/16	5/8 X 5/16	5/8 X 5/8	
	2-13/16	3-1/4	3/4 X 3/8	3/4 X 3/8	3/4 X 3/4	
	3-5/16	3-3/8	7/8 X 7/16	7/8 X 7/16	7/8 X 7/8	S
	3-7/16	3-1/2	7/8 X 5/16	7/8 X 7/16	7/8 X 3/4	
XT40	2-7/16	2-3/4	5/8 X 5/16	5/8 X 5/16	5/8 X 5/8	F
	2-13/16	3-1/4	3/4 X 3/8	3/4 X 3/8	3/4 X 3/4	
	3-5/16	3-3/4	7/8 X 7/16	7/8 X 7/16	7/8 X 7/8	
	3-13/16	4-5/16	1 X 1/2	1 X 1/2	1 X 1	S
	3-7/8	4	1 X 3/8	1 X 1/2	1 X 7/8	
XT45	2-7/16	2-3/4	5/8 X 5/16	5/8 X 5/16	5/8 X 5/8	F
	2-13/16	3-1/4	3/4 X 3/8	3/4 X 3/8	3/4 X 3/4	
	3-5/16	3-3/4	7/8 X 7/16	7/8 X 7/16	7/8 X 7/8	
	3-13/16	4-5/16	1 X 1/2	1 X 1/2	1 X 1	S
	4-3/8	4-1/2	1 X 3/8	1 X 1/2	1 X 7/8	
XT50	2-15/16	3-1/4	3/4 X 3/8	3/4 X 3/8	3/4 X 3/4	F
	3-5/16	3-3/4	7/8 X 7/16	7/8 X 7/16	7/8 X 7/8	
	3-13/16	4-1/2	1 X 1/2	1 X 1/2	1 X 1	
	4-9/16	5	1-1/4 X 5/8	1-1/4 X 5/8	1-1/4 X 1-1/4	

Metric Sized Product (mm)					
	Bore Range		Keyseat Size		Key Stock Size
			Bushings	Axle	
	min	max			
XT15	20		6 X 2.8	6 X 3.5	6 X 6
	25	30	8 X 3.3	8 X 4	8 X 7
	35		10 X 3.3	10 X 5	10 X 8
XT20	20		6 X 2.8	6 X 3.5	6 X 6
	25	30	8 X 3.3	8 X 4	8 X 7
	35		10 X 3.3	10 X 5	10 X 8
	40		12 X 3.3	12 X 5	12 X 8
	45	50	14 X 3.8	14 X 5.5	14 X 9
XT25	25	30	8 X 3.3	8 X 4	8 X 7
	35		10 X 3.3	10 X 5	10 X 8
	40		12 X 3.3	12 X 5	12 X 8
	45	50	14 X 3.8	14 X 5.5	14 X 9
	55		16 X 4.3	16 X 6	16 X 10
	60	65	18 X 4.4	18 X 7	18 X 11
XT30	35		10 X 3.3	10 X 5	10 X 8
	40		12 X 3.3	12 X 5	12 X 8
	45	50	14 X 3.8	14 X 5.5	14 X 9
	55		16 X 4.3	16 X 6	16 X 10
	60	65	18 X 4.4	18 X 7	18 X 11
	70	75	20 X 4.9	20 X 7.5	20 X 12
XT35	50		14 X 3.8	14 X 5.5	14 X 9
	55		16 X 4.3	16 X 6	16 X 10
	60	65	18 X 4.4	18 X 7	18 X 11
	70	75	20 X 4.9	20 X 7.5	20 X 12
	80	85	22 X 5.4	22 X 9	22 X 14
XT40	60		18 X 4.4	18 X 7	18 X 11
	70	75	20 X 4.9	20 X 7.5	20 X 12
	80	85	22 X 5.4	22 X 9	22 X 14
	90	95	25 X 5.4	25 X 9	25 X 14
	100		28 X 6.4	28 X 10	28 X 16
XT45	80	85	22 X 5.4	22 X 9	22 X 14
	90	95	25 X 5.4	25 X 9	25 X 14
	100	110	28 X 6.4	28 X 10	28 X 16
XT50	80	85	22 X 5.4	22 X 9	22 X 14
	90	95	25 X 5.4	25 X 9	25 X 14
	100	110	28 X 6.4	28 X 10	28 X 16
	115	125	32 X 7.4	32 X 11	32 X 18

ACCESSORIES

Stainless Steel Compression Hubs & Bushings Key Sizes – HE Bushings



Imperial Sized Product (inches)					
	Bore Range		Keyseat Size		Key Stock Size
			Bushings	Axle	F: Full S: Shallow N: None
	min	max			
HE25	1	1-1/4	1/4 X 1/8	1/4 X 1/8	1/4 X 1/4
	1-5/16	1-3/8	5/16 X 5/32	5/16 X 5/32	5/16 X 5/16
	1-7/16	1-3/4	3/8 X 3/16	3/8 X 3/16	3/8 X 3/8
	1-13/16	2-1/4	1/2 X 1/4	1/2 X 1/4	1/2 X 1/2
	2-5/16	2-1/2	5/8 X 3/16	5/8 X 5/16	5/8 X 1/2
HE30	1-7/16	1-3/4	3/8 X 3/16	3/8 X 3/16	3/8 X 3/8
	1-13/16	2-1/4	1/2 X 1/4	1/2 X 1/4	1/2 X 1/2
	2-5/16	2-3/4	5/8 X 5/16	5/8 X 5/16	5/8 X 5/8
	2-13/16	3	3/4 X 1/8	3/4 X 3/8	3/4 X 1/2
HE35	1-15/16	2-1/4	1/2 X 1/4	1/2 X 1/4	1/2 X 1/2
	2-5/16	2-3/4	5/8 X 5/16	5/8 X 5/16	5/8 X 5/8
	2-13/16	3-1/4	3/4 X 3/8	3/4 X 3/8	3/4 X 3/4
	3-5/16	3-5/16	7/8 X 7/16	7/8 X 7/16	7/8 X 7/8
	3-3/8	3-1/2	7/8 X 3/16	7/8 X 7/16	7/8 X 5/8
HE40	2-7/16	2-3/4	5/8 X 5/16	5/8 X 5/16	5/8 X 5/8
	2-13/16	3-1/4	3/4 X 3/8	3/4 X 3/8	3/4 X 3/4
	3-5/16	3-3/4	7/8 X 7/16	7/8 X 7/16	7/8 X 7/8
		3-13/16	1 X 1/2	1 X 1/2	1 X 1
		3-7/8	4	1 X 1/4	1 X 1/2
HE45	2-7/16	2-3/4	5/8 X 5/16	5/8 X 5/16	5/8 X 5/8
	2-13/16	3-1/4	3/4 X 3/8	3/4 X 3/8	3/4 X 3/4
	3-5/16	3-3/4	7/8 X 7/16	7/8 X 7/16	7/8 X 7/8
	3-13/16	4-1/8	1 X 1/2	1 X 1/2	1 X 1
	4-3/16	4-1/2	1 X 1/4	1 X 1/2	1 X 3/4
HE50	2-15/16	3-1/4	3/4 X 3/8	3/4 X 3/8	3/4 X 3/4
	3-5/16	3-3/4	7/8 X 7/16	7/8 X 7/16	7/8 X 7/8
	3-13/16	4-1/2	1 X 1/2	1 X 1/2	1 X 1
	4-9/16	4-3/4	1-1/4 X 5/8	1-1/4 X 5/8	1-1/4 X 1-1/4
	4-13/16	5	1-1/4 X 1/4	1-1/4 X 5/8	1-1/4 X 7/8

Metric Sized Product (mm)					
	Bore Range		Keyseat Size		Key Stock Size
			Bushings	Axle	
	min	max			
HE25	25	30	8 X 3.3	8 X 4	8 X 7
		35	10 X 3.3	10 X 5	10 X 8
		40	12 X 3.3	12 X 5	12 X 8
	45	50	14 X 3.8	14 X 5.5	14 X 9
		55	16 X 4.3	16 X 6	16 X 10
HE30	60	65	18 X 4.4	18 X 7	18 X 11
		35	10 X 3.3	10 X 5	10 X 8
		40	12 X 3.3	12 X 5	12 X 8
	45	50	14 X 3.8	14 X 5.5	14 X 9
		55	16 X 4.3	16 X 6	16 X 10
HE35	60	65	18 X 4.4	18 X 7	18 X 11
		70	20 X 4.9	20 X 7.5	20 X 12
	70	75	20 X 4.9	20 X 7.5	20 X 12
	80	85	22 X 5.4	22 X 9	22 X 14
		90	25 X 5.4	25 X 9	25 X 14
HE40	60	65	18 X 4.4	18 X 7	18 X 11
		70	20 X 4.9	20 X 7.5	20 X 12
	80	85	22 X 5.4	22 X 9	22 X 14
		90	25 X 5.4	25 X 9	25 X 14
		100	28 X 6.4	28 X 10	28 X 16
HE45	80	85	22 X 5.4	22 X 9	22 X 14
	90	95	25 X 5.4	25 X 9	25 X 14
	100	110	28 X 6.4	28 X 10	28 X 16
HE50	80	85	22 X 5.4	22 X 9	22 X 14
	90	95	25 X 5.4	25 X 9	25 X 14
	100	110	28 X 6.4	28 X 10	28 X 16
	115	125	32 X 7.4	32 X 11	32 X 18

ACCESSORIES

Stainless Steel Compression Hubs & Bushings

Key Sizes – QD® Bushings



Imperial Sized Product (inches)						
	Bore Range		Keyseat Size		Key Stock Size	
			Bushings	Axle	F: Full S: Shallow N: None	
	min	max				
JA	1/2	9/16	1/8 X 1/16	1/8 X 1/16	1/8 X 1/8	F
	5/8	7/8	3/16 X 3/32	3/16 X 3/32	3/16 X 3/16	
	15/16	1	1/4 X 1/8	1/4 X 1/8	1/4 X 1/4	S
	1-1/16	1-3/16	1/4 X 1/16	1/4 X 1/8	1/4 X 3/16	
	1-1/4		-	-	-	
SH	5/8	7/8	3/16 X 3/32	3/16 X 3/32	3/16 X 3/16	F
	15/16	1-1/4	1/4 X 1/8	1/4 X 1/8	1/4 X 1/4	
	1-5/16	1-3/8	5/16 X 5/32	5/16 X 5/32	5/16 X 5/16	S
	1-7/16	1-5/8	3/8 X 1/16	3/8 X 3/16	3/8 X 1/4	
	1-11/16		-	-	-	
SDS	3/4	7/8	3/16 X 3/32	3/16 X 3/32	3/16 X 3/16	F
	15/16	1-1/4	1/4 X 1/8	1/4 X 1/8	1/4 X 1/4	
	1-5/16	1-3/8	5/16 X 5/32	5/16 X 5/32	5/16 X 5/16	S
	1-7/16	1-5/8	3/8 X 3/16	3/8 X 3/16	3/8 X 3/8	
	1-11/16	1-3/4	3/8 X 1/8	3/8 X 3/16	3/8 X 5/16	
	1-13/16	1-15/16	1/2 X 1/16	1/2 X 1/4	1/2 X 5/16	N
	2		-	-	-	
SK	1	1-1/4	1/4 X 1/8	1/4 X 1/8	1/4 X 1/4	F
	1-5/16	1-3/8	5/16 X 5/32	5/16 X 5/32	5/16 X 5/16	
	1-7/16	1-3/4	3/8 X 3/16	3/8 X 3/16	3/8 X 3/8	S
	1-13/16	2-1/8	1/2 X 1/4	1/2 X 1/4	1/2 X 1/2	
	2-3/16	2-1/4	1/2 X 1/8	1/2 X 1/4	1/2 X 3/8	
	2-5/16	2-1/2	5/8 X 1/16	5/8 X 5/16	5/8 X 3/8	N
	2-5/8		-	-	-	
SF	1	1-1/4	1/4 X 1/8	1/4 X 1/8	1/4 X 1/4	F
	1-5/16	1-3/8	5/16 X 5/32	5/16 X 5/32	5/16 X 5/16	
	1-7/16	1-3/4	3/8 X 3/16	3/8 X 3/16	3/8 X 3/8	S
	1-13/16	2-1/4	1/2 X 1/4	1/2 X 1/4	1/2 X 1/2	
	2-5/16		5/8 X 5/16	5/8 X 5/16	5/8 X 5/8	
	2-3/8	2-1/2	5/8 X 3/16	5/8 X 5/16	5/8 X 1/2	N
	2-9/16	2-3/4	5/8 X 1/16	5/8 X 5/16	5/8 X 3/8	
	2-13/16		3/4 X 1/8	3/4 X 3/8	3/4 X 1/2	
	2-7/8	2-15/16	3/4 X 1/32	3/4 X 3/8	3/4 X 13/32	
E	1-7/16	1-3/4	3/8 X 3/16	3/8 X 3/16	3/8 X 3/8	F
	1-13/16	2-1/4	1/2 X 1/4	1/2 X 1/4	1/2 X 1/2	
	2-5/16	2-3/4	5/8 X 5/16	5/8 X 5/16	5/8 X 5/8	S
	2-13/16	2-7/8	3/4 X 3/8	3/4 X 3/8	3/4 X 3/4	
	2-15/16	3-1/4	3/4 X 1/8	3/4 X 3/8	3/4 X 1/2	
	3-5/16		7/8 X 1/8	7/8 X 7/16	7/8 X 9/16	N
	3-3/8	3-1/2	7/8 X 1/16	7/8 X 7/16	7/8 X 1/2	
F	1-15/16	2-1/4	1/2 X 1/4	1/2 X 1/4	1/2 X 1/2	F
	2-5/16	2-3/4	5/8 X 5/16	5/8 X 5/16	5/8 X 5/8	
	2-13/16	3-1/4	3/4 X 3/8	3/4 X 3/8	3/4 X 3/4	S
	3-5/16	3-3/4	7/8 X 3/16	7/8 X 7/16	7/8 X 5/8	
	3-7/8	3-15/16	1 X 1/8	1 X 1/2	1 X 5/8	
4		-	-	-		
JS	2-15/16	3-1/4	3/4 X 3/8	3/4 X 3/8	3/4 X 3/4	F
	3-5/16	3-3/4	7/8 X 7/16	7/8 X 7/16	7/8 X 7/8	
	3-13/16		1 X 1/2	1 X 1/2	1 X 1	S
	3-7/8	4	1 X 1/4	1 X 1/2	1 X 3/4	
	4-1/16	4-1/2	1 X 1/8	1 X 1/2	1 X 5/8	
MS	2-15/16	3-1/4	3/4 X 3/8	3/4 X 3/8	3/4 X 3/4	F
	3-5/16	3-3/4	7/8 X 7/16	7/8 X 7/16	7/8 X 7/8	
	3-13/16	4-1/2	1 X 1/2	1 X 1/2	1 X 1	S
	4-9/16	4-3/4	1-1/4 X 5/8	1-1/4 X 5/8	1-1/4 X 1-1/4	
	4-13/16	5-1/4	1-1/4 X 3/8	1-1/4 X 5/8	1-1/4 X 1	
5-5/16	5-1/2	1-1/4 X 1/4	1-1/4 X 5/8	1-1/4 X 7/8		

Metric Sized Product (mm)					
	Bore Range		Keyseat Size		Key Stock Size
			Bushings	Axle	
	min	max			
JA	20		6 X 2.8	6 X 3.5	6 X 6
	25		8 X 3.3	8 X 4	8 X 7
SH	25	30	8 X 3.3	8 X 4	8 X 7
	35		10 X 3.3	10 X 5	10 X 8
SDS	25	30	8 X 3.3	8 X 4	8 X 7
	35		10 X 3.3	10 X 5	10 X 8
	40		12 X 3.3	12 X 5	12 X 8
SK	25	30	8 X 3.3	8 X 4	8 X 7
	35		10 X 3.3	10 X 5	10 X 8
	40		12 X 3.3	12 X 5	12 X 8
	45	50	14 X 3.8	14 X 5.5	14 X 9
	55		16 X 4.3	16 X 6	16 X 10
SF	30		8 X 3.3	8 X 4	8 X 7
	35		10 X 3.3	10 X 5	10 X 8
	40		12 X 3.3	12 X 5	12 X 8
	45	50	14 X 3.8	14 X 5.5	14 X 9
	55		16 X 4.3	16 X 6	16 X 10
	60		18 X 4.4	18 X 7	18 X 11
E	35		10 X 3.3	10 X 5	10 X 8
	40		12 X 3.3	12 X 5	12 X 8
	45	50	14 X 3.8	14 X 5.5	14 X 9
	55		16 X 4.3	16 X 6	16 X 10
	60	65	18 X 4.4	18 X 7	18 X 11
	70	75	20 X 4.9	20 X 7.5	20 X 12
F	45	50	14 X 3.8	14 X 5.5	14 X 9
	55		16 X 4.3	16 X 6	16 X 10
	60	65	18 X 4.4	18 X 7	18 X 11
	70	75	20 X 4.9	20 X 7.5	20 X 12
	80	85	22 X 5.4	22 X 9	22 X 14
	90		25 X 5.4	25 X 9	25 X 14
JS	60	65	18 X 4.4	18 X 7	18 X 11
	70	75	20 X 4.9	20 X 7.5	20 X 12
	80	85	22 X 5.4	22 X 9	22 X 14
	90	95	25 X 5.4	25 X 9	25 X 14
MS	100	110	28 X 6.4	28 X 10	28 X 16
	80	85	22 X 5.4	22 X 9	22 X 14
	90	95	25 X 5.4	25 X 9	25 X 14
	100	110	28 X 6.4	28 X 10	28 X 16
	115	120	32 X 7.4	32 X 11	32 X 18

ACCESSORIES

Stainless Steel Compression Hubs & Bushings Key Sizes – Taper-Lock® Bushings



Imperial Sized Product (inches)					
	Bore Range		Keyseat Size		Key Stock Size
			Bushings	Axle	F: Full S: Shallow N: None
	min	max			
1210	1/2	9/16	1/8 X 1/16	1/8 X 1/16	1/8 X 1/8
	5/8	7/8	3/16 X 3/32	3/16 X 3/32	3/16 X 3/16
	15/16	1-1/4	1/4 X 1/8	1/4 X 1/8	1/4 X 1/4
1610	1/2	9/16	1/8 X 1-1/16	1/8 X 1-1/16	1/8 X 1/8
	5/8	7/8	3/16 X 3/32	3/16 X 3/32	3/16 X 3/16
	15/16	1-1/4	1/4 X 1/8	1/4 X 1/8	1/4 X 1/4
	1-5/16	1-3/8	5/16 X 5/32	5/16 X 5/32	5/16 X 5/16
	1-7/16	1-1/2	3/8 X 3/16	3/8 X 3/16	3/8 X 3/8
	1-9/16	1-11/16	3/8 X 1/8	3/8 X 3/16	3/8 X 5/16
2012	3/4	7/8	3/16 X 3/32	3/16 X 3/32	3/16 X 3/16
	15/16	1-1/4	1/4 X 1/8	1/4 X 1/8	1/4 X 1/4
	1-5/16	1-3/8	5/16 X 5/32	5/16 X 5/32	5/16 X 5/16
	1-7/16	1-3/4	3/8 X 3/16	3/8 X 3/16	3/8 X 3/8
	1-13/16	1-7/8	1/2 X 1/4	1/2 X 1/4	1/2 X 1/2
	1-15/16	2	1/2 X 3/16	1/2 X 1/4	1/2 X 7/16
2517	1	1-1/4	1/4 X 1/8	1/4 X 1/8	1/4 X 1/4
	1-5/16	1-3/8	5/16 X 5/32	5/16 X 5/32	5/16 X 5/16
	1-7/16	1-3/4	3/8 X 3/16	3/8 X 3/16	3/8 X 3/8
	1-13/16	2-1/4	1/2 X 1/4	1/2 X 1/4	1/2 X 1/2
	2-5/16	2-1/2	5/8 X 3/16	5/8 X 5/16	5/8 X 1/2
3020	1-7/16	1-3/4	3/8 X 3/16	3/8 X 3/16	3/8 X 3/8
	1-13/16	2-1/4	1/2 X 1/4	1/2 X 1/4	1/2 X 1/2
	2-5/16	2-3/4	5/8 X 5/16	5/8 X 5/16	5/8 X 5/8
	2-13/16	3	3/4 X 1/4	3/4 X 3/8	3/4 X 5/8
3535	1-15/16	2-1/4	1/2 X 1/4	1/2 X 1/4	1/2 X 1/2
	2-5/16	2-3/4	5/8 X 5/16	5/8 X 5/16	5/8 X 5/8
	2-13/16	3-1/4	3/4 X 3/8	3/4 X 3/8	3/4 X 3/4
	3-5/16		7/8 X 1/8	7/8 X 7/16	7/8 X 9/16
4040	3-3/8	3-1/2	7/8 X 3/16	7/8 X 7/16	7/8 X 5/8
	2-7/16	2-3/4	5/8 X 5/16	5/8 X 5/16	5/8 X 5/8
	2-13/16	3-1/4	3/4 X 3/8	3/4 X 3/8	3/4 X 3/4
	3-5/16	3-3/4	7/8 X 7/16	7/8 X 7/16	7/8 X 7/8
4545	3-13/16	4	1 X 1/4	1 X 1/2	1 X 3/4
	3-7/16	3-3/4	7/8 X 7/16	7/8 X 7/16	7/8 X 7/8
	3-13/16	4-1/4	1 X 1/2	1 X 1/2	1 X 1
5050	4-5/16	4-1/2	1 X 1/4	1 X 1/2	1 X 3/4
	3-5/8	4-1/2	1 X 1/2	1 X 1/2	1 X 1
	4-9/16	5	1-1/4 X 1/4	1-1/4 X 5/8	1-1/4 X 7/8

Metric Sized Product (mm)					
	Bore Range		Keyseat Size		Key Stock Size
			Bushings	Axle	
	min	max			
1210	20		6 X 2.8	6 X 3.5	6 X 6
	25	30	8 X 3.3	8 X 4	8 X 7
1610	20		6 X 2.8	6 X 3.5	6 X 6
	25	30	8 X 3.3	8 X 4	8 X 7
	35		10 X 3.3	10 X 5	10 X 8
	40		12 X 3.3	12 X 5	12 X 8
2012	25	30	8 X 3.3	8 X 4	8 X 7
	35		10 X 3.3	10 X 5	10 X 8
	40		12 X 3.3	12 X 5	12 X 8
	45		14 X 3.8	14 X 5.5	14 X 9
2517	25	30	8 X 3.3	8 X 4	8 X 7
	35		10 X 3.3	10 X 5	10 X 8
	40		12 X 3.3	12 X 5	12 X 8
	45	50	14 X 3.8	14 X 5.5	14 X 9
	55		16 X 4.3	16 X 6	16 X 10
	60	65	18 X 4.4	18 X 7	18 X 11
3020	50		14 X 3.8	14 X 5.5	14 X 9
	55		16 X 4.3	16 X 6	16 X 10
	60	65	18 X 4.4	18 X 7	18 X 11
	70	75	20 X 4.9	20 X 7.5	20 X 12
3535	50		14 X 3.8	14 X 5.5	14 X 9
	55		16 X 4.3	16 X 6	16 X 10
	60	65	18 X 4.4	18 X 7	18 X 11
	70	75	20 X 4.9	20 X 7.5	20 X 12
	80	85	22 X 5.4	22 X 9	22 X 14
4040	90		25 X 5.4	25 X 9	25 X 14
	60	65	18 X 4.4	18 X 7	18 X 11
	70	75	20 X 4.9	20 X 7.5	20 X 12
	80	85	22 X 5.4	22 X 9	22 X 14
	90	95	25 X 5.4	25 X 9	25 X 14
4545	100		28 X 6.4	28 X 10	28 X 16
	80	85	22 X 5.4	22 X 9	22 X 14
	90	95	25 X 5.4	25 X 9	25 X 14
	100	110	28 X 6.4	28 X 10	28 X 16
5050	115		32 X 7.4	32 X 11	32 X 18
	80	85	22 X 5.4	22 X 9	22 X 14
	90	95	25 X 5.4	25 X 9	25 X 14
	100	110	28 X 6.4	28 X 10	28 X 16
	115	125	32 X 7.4	32 X 11	32 X 18