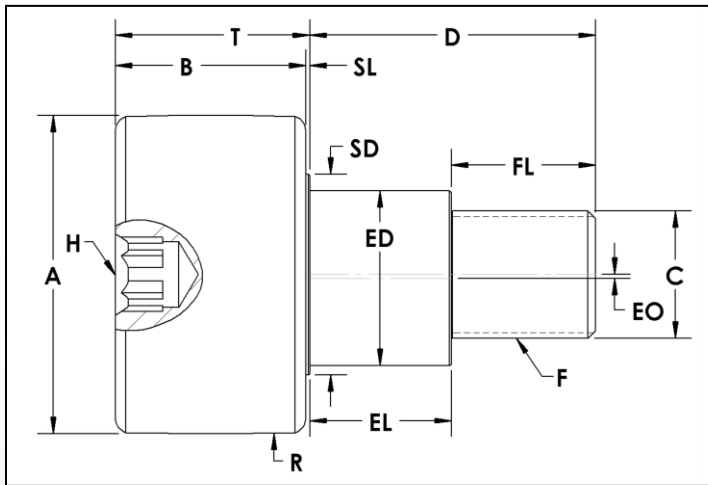


CDCE Series DCB Roller Assembly

Crowned/Spherical – Stud Type Eccentric – Hex Socket
Full Complement Cylindrical Roller Bearings



Stud Type DCB Roller Part Number	A	B	C	D	ED	EL	EO	F	FL	H	R	SD	SL	T
	Roller Dia. +.000 -.001	Roller Width	Stud Dia.	Stud Length	Ecc Dia +.000 -.002	Ecc Length	Ecc Offset	Thread Size	Thread Length	Hex Size	Crown Radius	Shoulder Dia.	Shoulder Length	Roller Width + Shoulder Length
CDCE-2.50	2.500	1.50	1.000	2.25	1.375	1.13	0.03	1 - 14	1.13	1/2	30	1.6	0.03	1.53
CDCE-2.75	2.750	1.50	1.000	2.25	1.375	1.13	0.03	1 - 14	1.13	1/2	30	1.6	0.03	1.53
CDCE-3.00	3.000	1.75	1.250	2.50	1.750	1.25	0.06	1 1/4 - 12	1.25	3/4	30	1.9	0.03	1.78
CDCE-3.25	3.250	1.75	1.250	2.50	1.750	1.25	0.06	1 1/4 - 12	1.25	3/4	30	1.9	0.03	1.78
CDCE-3.50	3.500	2.00	1.375	2.75	1.812	1.38	0.06	1 3/8 - 12	1.38	3/4	30	2.1	0.03	2.03
CDCE-4.00	4.000	2.25	1.500	3.50	2.000	2.00	0.06	1 1/2 - 12	1.50	3/4	30	2.3	0.03	2.28

CDCE Series DCB Roller Assembly

Crowned/Spherical – Stud Type Eccentric – Hex Socket
Full Complement Cylindrical Roller Bearings



ADDITIONAL NOTES

*For lubricated threads, use half the maximum clamping torque value shown.

FC DCRB: Full Complement Double Row Cylindrical Roller Bearings – Alloy Steel

Jam Nut/Lock Washer sets are available at an additional cost.

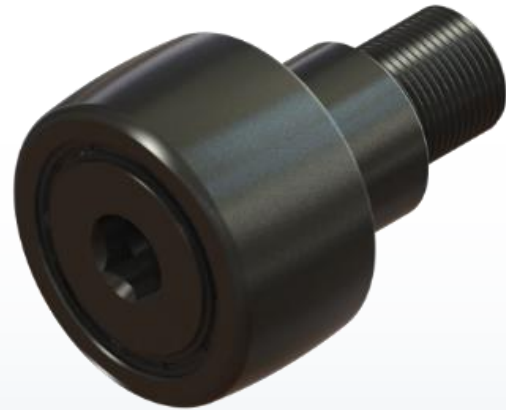
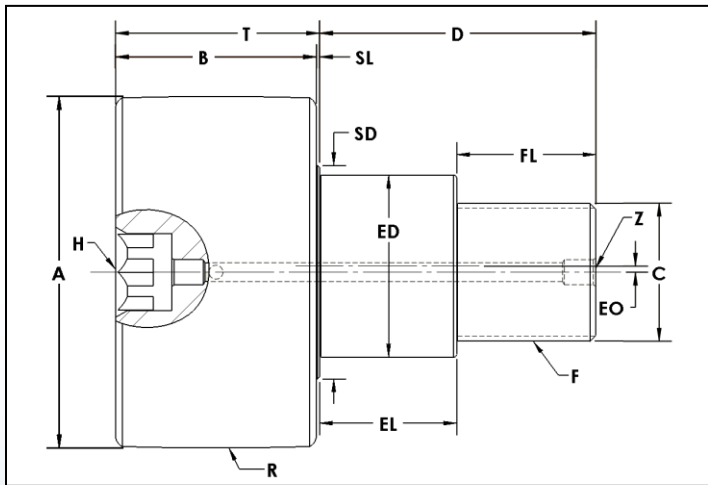
Specifications subject to change without notice.

Stud Type DCB Roller Part Number	Basic Radial Dynamic Load Rating (lbs) C	Basic Radial Static Load Rating (lbs) Co	Stud Capacity (lbs)	Max. Clamping Torque (in-lbs)*	Seal Type	Bearing Type	Approx. Roller Weight (lbs)
CDCE-2.50	18,592	24,279	7,820	2,250	Rubber Lip	FC DCRB	2.48
CDCE-2.75	18,592	24,279	7,820	2,250	Rubber Lip	FC DCRB	2.91
CDCE-3.00	27,600	38,000	13,120	3,450	Rubber Lip	FC DCRB	4.28
CDCE-3.25	27,600	38,000	13,120	3,450	Rubber Lip	FC DCRB	4.86
CDCE-3.50	36,000	50,100	15,310	5,000	Rubber Lip	FC DCRB	6.21
CDCE-4.00	47,200	67,200	17,700	5,000	Rubber Lip	FC DCRB	9.31

CDCE-R Series DCB Roller Assembly

Crowned/Spherical – Stud Type Eccentric – Hex Socket
Full Complement Cylindrical Roller Bearings - Regreasable

PCT[®]
989.358.6148
www.pcimfg.com



Stud Type DCB Roller Part Number	A Roller Dia. +.000 -.001	B Roller Width	C Stud Dia.	D Stud Length	ED Ecc Dia +.000 -.002	EL Ecc Length	EO Ecc Offset	F Thread Size	FL Thread Length	H Hex Size	R Crown Radius	SD Shoulder Dia.	SL Shoulder Length	T Roller Width + Shoulder Length	Z Lube Size
CDCE-2.50-R	2.500	1.50	1.000	2.25	1.375	1.13	0.03	1 - 14	1.13	1/2	30	1.6	0.03	1.53	1/4 Drive†
CDCE-2.75-R	2.750	1.50	1.000	2.25	1.375	1.13	0.03	1 - 14	1.13	1/2	30	1.6	0.03	1.53	1/4 Drive†
CDCE-3.00-R	3.000	1.75	1.250	2.50	1.750	1.25	0.06	1 1/4 - 12	1.25	3/4	30	1.9	0.03	1.78	1/4 Drive
CDCE-3.25-R	3.250	1.75	1.250	2.50	1.750	1.25	0.06	1 1/4 - 12	1.25	3/4	30	1.9	0.03	1.78	1/4 Drive
CDCE-3.50-R	3.500	2.00	1.375	2.75	1.812	1.38	0.06	1 3/8 - 12	1.38	3/4	30	2.1	0.03	2.03	1/4 Drive
CDCE-4.00-R	4.000	2.25	1.500	3.50	2.000	2.00	0.06	1 1/2 - 12	1.50	3/4	30	2.3	0.03	2.28	1/4 Drive

† Lubrication in threaded end only.

CDCE-R Series DCB Roller Assembly

Crowned/Spherical – Stud Type Eccentric – Hex Socket
Full Complement Cylindrical Roller Bearings - Regreasable

PCT[®]
989.358.6148
www.pcimfg.com



ADDITIONAL NOTES

*For lubricated threads, use half the maximum clamping torque value shown.

FC DCRB: Full Complement Double Row Cylindrical Roller Bearings – Alloy Steel

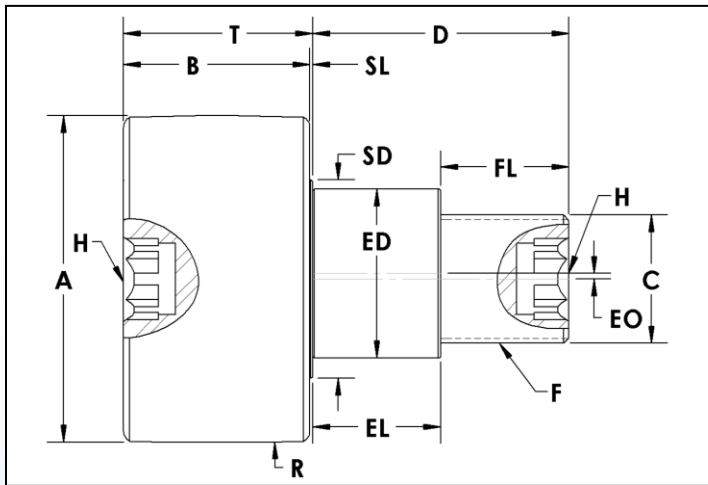
Jam Nut/Lock Washer sets are available at an additional cost.

Specifications subject to change without notice.

Stud Type DCB Roller Part Number	Basic Radial Dynamic Load Rating (lbs) C	Basic Radial Static Load Rating (lbs) Co	Stud Capacity (lbs)	Max. Clamping Torque (in-lbs)*	Seal Type	Bearing Type	Approx. Roller Weight (lbs)
CDCE-2.50-R	18,592	24,279	7,820	2,250	Rubber Lip	FC DCRB	2.48
CDCE-2.75-R	18,592	24,279	7,820	2,250	Rubber Lip	FC DCRB	2.91
CDCE-3.00-R	27,600	38,000	13,120	3,450	Rubber Lip	FC DCRB	4.28
CDCE-3.25-R	27,600	38,000	13,120	3,450	Rubber Lip	FC DCRB	4.86
CDCE-3.50-R	36,000	50,100	15,310	5,000	Rubber Lip	FC DCRB	6.21
CDCE-4.00-R	47,200	67,200	17,700	5,000	Rubber Lip	FC DCRB	9.31

CDCE-H Series DCB Roller Assembly

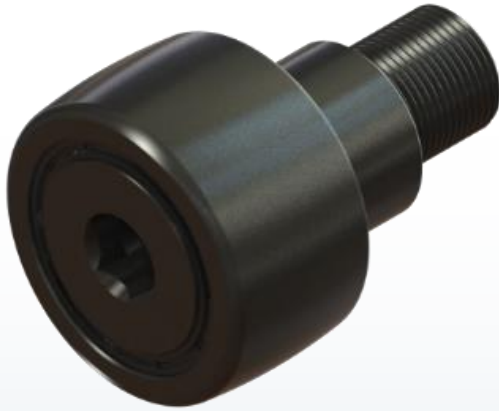
Crowned/Spherical – Stud Type Eccentric – Hex Socket in Both Ends
Full Complement Cylindrical Roller Bearings



Stud Type DCB Roller Part Number	A	B	C	D	ED	EL	EO	F	FL	H	R	SD	SL	T
	Roller Dia. +.000 -.001	Roller Width	Stud Dia.	Stud Length	Ecc Dia +.000 -.002	Ecc Length	Ecc Offset	Thread Size	Thread Length	Hex Size	Crown Radius	Shoulder Dia.	Shoulder Length	Roller Width + Shoulder Length
CDCE-2.50-H	2.500	1.50	1.000	2.25	1.375	1.13	0.03	1 - 14	1.13	1/2	30	1.6	0.03	1.53
CDCE-2.75-H	2.750	1.50	1.000	2.25	1.375	1.13	0.03	1 - 14	1.13	1/2	30	1.6	0.03	1.53
CDCE-3.00-H	3.000	1.75	1.250	2.50	1.750	1.25	0.06	1 1/4 - 12	1.25	3/4	30	1.9	0.03	1.78
CDCE-3.25-H	3.250	1.75	1.250	2.50	1.750	1.25	0.06	1 1/4 - 12	1.25	3/4	30	1.9	0.03	1.78
CDCE-3.50-H	3.500	2.00	1.375	2.75	1.812	1.38	0.06	1 3/8 - 12	1.38	3/4	30	2.1	0.03	2.03
CDCE-4.00-H	4.000	2.25	1.500	3.50	2.000	2.00	0.06	1 1/2 - 12	1.50	3/4	30	2.3	0.03	2.28

CDCE-H Series DCB Roller Assembly

Crowned/Spherical – Stud Type Eccentric – Hex Socket in Both Ends
Full Complement Cylindrical Roller Bearings



ADDITIONAL NOTES

*For lubricated threads, use half the maximum clamping torque value shown.

FC DCRB: Full Complement Double Row Cylindrical Roller Bearings – Alloy Steel

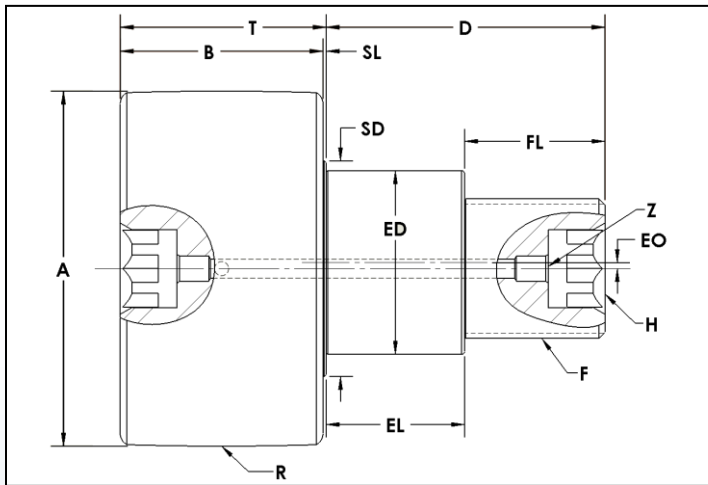
Jam Nut/Lock Washer sets are available at an additional cost.

Specifications subject to change without notice.

Stud Type DCB Roller Part Number	Basic Radial Dynamic Load Rating (lbs) C	Basic Radial Static Load Rating (lbs) Co	Stud Capacity (lbs)	Max. Clamping Torque (in-lbs)*	Seal Type	Bearing Type	Approx. Roller Weight (lbs)
CDCE-2.50-H	18,592	24,279	7,820	2,250	Rubber Lip	FC DCRB	2.48
CDCE-2.75-H	18,592	24,279	7,820	2,250	Rubber Lip	FC DCRB	2.91
CDCE-3.00-H	27,600	38,000	13,120	3,450	Rubber Lip	FC DCRB	4.28
CDCE-3.25-H	27,600	38,000	13,120	3,450	Rubber Lip	FC DCRB	4.86
CDCE-3.50-H	36,000	50,100	15,310	5,000	Rubber Lip	FC DCRB	6.21
CDCE-4.00-H	47,200	67,200	17,700	5,000	Rubber Lip	FC DCRB	9.31

CDCE-R-H Series DCB Roller Assembly

Crowned/Spherical – Stud Type Eccentric – Hex Socket in Both Ends
Full Complement Cylindrical Roller Bearings - Regreasable



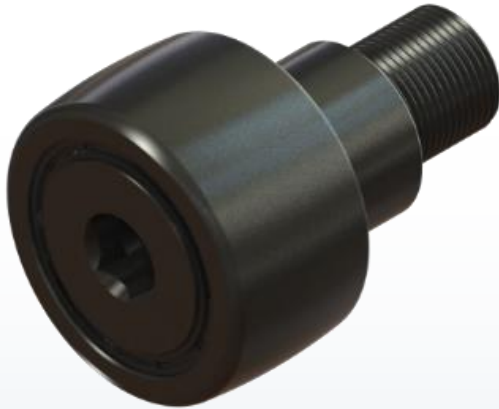
Stud Type DCB Roller Part Number	A Roller Dia. +.000 -.001	B Roller Width	C Stud Dia.	D Stud Length	ED Ecc Dia +.000 -.002	EL Ecc Length	EO Ecc Offset	F Thread Size	FL Thread Length	H Hex Size	R Crown Radius	SD Shoulder Dia.	SL Shoulder Length	T Roller Width + Shoulder Length	Z Lube Size
CDCE-2.50-R-H	2.500	1.50	1.000	2.25	1.375	1.13	0.03	1 - 14	1.13	1/2	30	1.6	0.03	1.53	1/4-28 UNF†
CDCE-2.75-R-H	2.750	1.50	1.000	2.25	1.375	1.13	0.03	1 - 14	1.13	1/2	30	1.6	0.03	1.53	1/4-28 UNF†
CDCE-3.00-R-H	3.000	1.75	1.250	2.50	1.750	1.25	0.06	1 1/4 - 12	1.25	3/4	30	1.9	0.03	1.78	1/4 Drive
CDCE-3.25-R-H	3.250	1.75	1.250	2.50	1.750	1.25	0.06	1 1/4 - 12	1.25	3/4	30	1.9	0.03	1.78	1/4 Drive
CDCE-3.50-R-H	3.500	2.00	1.375	2.75	1.812	1.38	0.06	1 3/8 - 12	1.38	3/4	30	2.1	0.03	2.03	1/4 Drive
CDCE-4.00-R-H	4.000	2.25	1.500	3.50	2.000	2.00	0.06	1 1/2 - 12	1.50	3/4	30	2.3	0.03	2.28	1/4 Drive

† Lubrication in threaded end only. Grease fitting extends from end of stud

CDCE-R-H Series DCB Roller Assembly

Crowned/Spherical – Stud Type Eccentric – Hex Socket in Both Ends
Full Complement Cylindrical Roller Bearings - Regreasable

PCT[®]
989.358.6148
www.pcimfg.com



ADDITIONAL NOTES

*For lubricated threads, use half the maximum clamping torque value shown.

FC DCRB: Full Complement Double Row Cylindrical Roller Bearings – Alloy Steel

Jam Nut/Lock Washer sets are available at an additional cost.

Specifications subject to change without notice.

Stud Type DCB Roller Part Number	Basic Radial Dynamic Load Rating (lbs) C	Basic Radial Static Load Rating (lbs) Co	Stud Capacity (lbs)	Max. Clamping Torque (in-lbs)*	Seal Type	Bearing Type	Approx. Roller Weight (lbs)
CDCE-2.50-R-H	18,592	24,279	7,820	2,250	Rubber Lip	FC DCRB	2.48
CDCE-2.75-R-H	18,592	24,279	7,820	2,250	Rubber Lip	FC DCRB	2.91
CDCE-3.00-R-H	27,600	38,000	13,120	3,450	Rubber Lip	FC DCRB	4.28
CDCE-3.25-R-H	27,600	38,000	13,120	3,450	Rubber Lip	FC DCRB	4.86
CDCE-3.50-R-H	36,000	50,100	15,310	5,000	Rubber Lip	FC DCRB	6.21
CDCE-4.00-R-H	47,200	67,200	17,700	5,000	Rubber Lip	FC DCRB	9.31