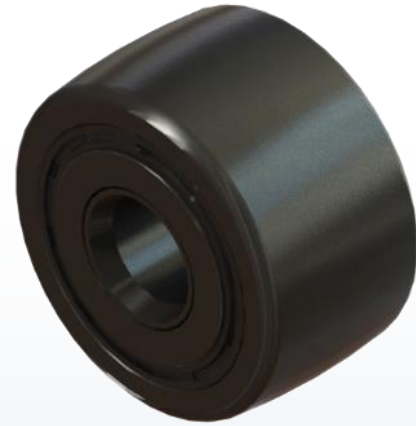
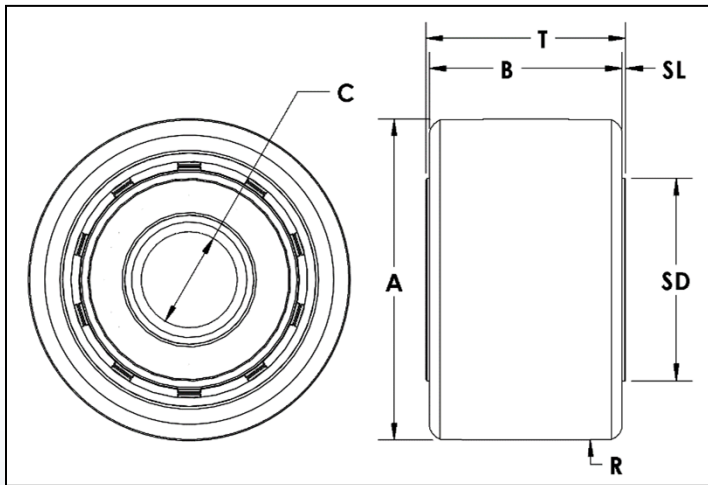


CDCY Series DCB Roller Assembly

Crowned/Spherical – Yoke Type
Full Complement Cylindrical Roller Bearings



Yoke Type DCB Roller Part Number	A Roller Dia. +0.000 -0.001	B Roller Width	C Bore Dia. +0.0007 -0.0000	R Crown Radius	SD Shoulder Dia.	SL Shoulder Length	T Inner Race Width +0.005 -0.010
CDCY-2.00	2.000	1.25	0.6250	24	1.2	0.03	1.313
CDCY-2.25	2.250	1.25	0.6250	24	1.2	0.03	1.313
CDCY-2.50	2.500	1.50	0.7500	30	1.6	0.03	1.563
CDCY-2.75	2.750	1.50	0.7500	30	1.6	0.03	1.563
CDCY-3.00	3.000	1.75	1.0000	30	1.9	0.03	1.813
CDCY-3.25	3.250	1.75	1.0000	30	1.9	0.03	1.813
CDCY-3.50	3.500	2.00	1.1250	30	2.1	0.03	2.063
CDCY-4.00	4.000	2.25	1.2500	30	2.3	0.03	2.313
CDCY-5.00	5.000	2.75	1.7500	48	2.9	0.06	2.875
CDCY-6.00	6.000	3.25	2.2500	56	3.6	0.06	3.375
CDCY-7.00	7.000	3.75	2.7500	60	4.1	0.06	3.875
CDCY-8.00	8.000	4.25	3.2550	40	4.7	0.13	4.500
CDCY-9.00	9.000	4.75	3.7550	40	5.3	0.13	5.000
CDCY-10.00	10.000	5.25	4.2550	40	5.9	0.13	5.500

Optional PCI Yoke Shaft	Optional PCI Eccentric Yoke Shaft
YSH-.625	YSHE-.625
YSH-.625	YSHE-.625
YSH-.750	YSHE-.750
YSH-.750	YSHE-.750
YSH-1.000	YSHE-1.000
YSH-1.000	YSHE-1.000
YSH-1.125	YSHE-1.125
YSH-1.250	YSHE-1.250
YSH-1.750	YSHE-1.750
YSH-2.250	YSHE-2.250
YSH-2.750	YSHE-2.750
YSH-3.250	-
YSH-3.750	-
YSH-4.250	-

CDCY Series DCB Roller Assembly

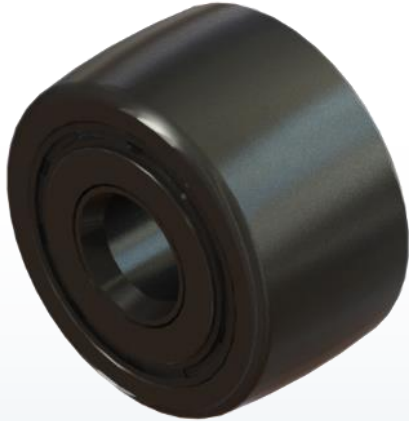
Crowned/Spherical – Yoke Type

Full Complement Cylindrical Roller Bearings



989.358.6148

www.pcimfg.com



ADDITIONAL NOTES

FC DCRB: Full Complement Double Row Cylindrical Roller Bearings – Alloy Steel

PCI Heavy Duty Yoke Shafts are available at an additional cost. See YSH page for details.

Specifications subject to change without notice.

Yoke Type DCB Roller Part Number	Basic Radial Dynamic Load Rating (lbs) C	Basic Radial Static Load Rating (lbs) Co	Seal Type	Bearing Type	Approx. Roller Weight (lbs)
CDCY-2.00	12,140	15,309	Rubber Lip	FC DCRB	0.83
CDCY-2.25	12,140	15,309	Rubber Lip	FC DCRB	1.11
CDCY-2.50	18,592	24,279	Rubber Lip	FC DCRB	1.61
CDCY-2.75	18,592	24,279	Rubber Lip	FC DCRB	2.04
CDCY-3.00	27,600	38,000	Rubber Lip	FC DCRB	2.68
CDCY-3.25	27,600	38,000	Rubber Lip	FC DCRB	3.28
CDCY-3.50	36,000	50,100	Rubber Lip	FC DCRB	4.15
CDCY-4.00	47,200	67,200	Rubber Lip	FC DCRB	6.11
CDCY-5.00	71,000	104,700	Rubber Lip	FC DCRB	11.44
CDCY-6.00	102,000	155,500	Rubber Lip	FC DCRB	19.38
CDCY-7.00	132,400	204,800	Rubber Lip	FC DCRB	29.66
CDCY-8.00	169,200	267,500	Rubber Lip	FC DCRB	42.93
CDCY-9.00	210,600	337,200	Rubber Lip	FC DCRB	59.70
CDCY-10.00	260,700	424,800	Rubber Lip	FC DCRB	80.67

CDCY-R Series DCB Roller Assembly

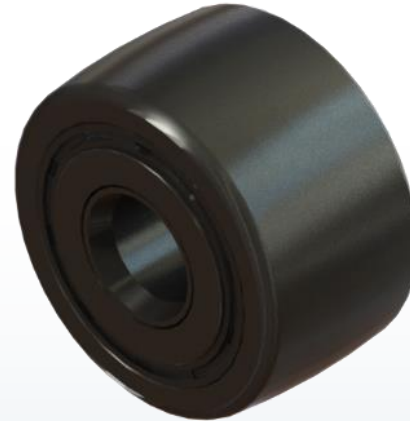
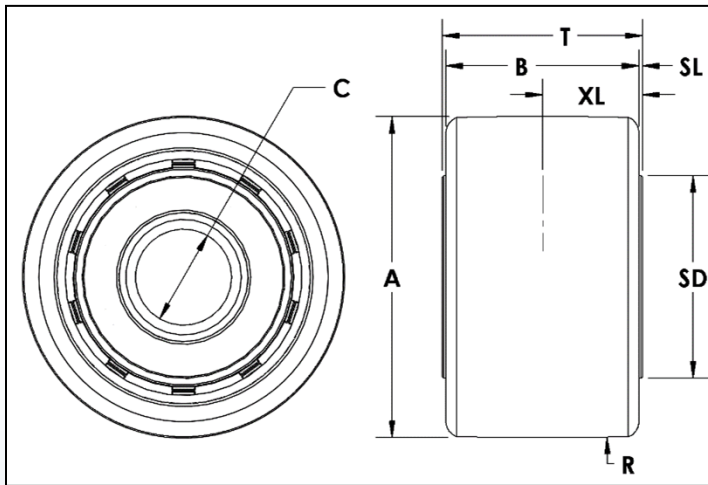
Crowned/Spherical – Yoke Type

Full Complement Cylindrical Roller Bearings - Regreasable



989.358.6148

www.pcimfg.com



Yoke Type DCB Roller Part Number	A Roller Dia. +.000 -.001	B Roller Width	C Bore Dia. +.0007 -.0000	R Crown Radius	SD Shoulder Dia.	SL Shoulder Length	T Inner Race Width +.005 -.010	XL Grease Groove Location
CDCY-2.00-R	2.000	1.25	0.6250	24	1.2	0.03	1.313	0.66
CDCY-2.25-R	2.250	1.25	0.6250	24	1.2	0.03	1.313	0.66
CDCY-2.50-R	2.500	1.50	0.7500	30	1.6	0.03	1.563	0.78
CDCY-2.75-R	2.750	1.50	0.7500	30	1.6	0.03	1.563	0.78
CDCY-3.00-R	3.000	1.75	1.0000	30	1.9	0.03	1.813	0.91
CDCY-3.25-R	3.250	1.75	1.0000	30	1.9	0.03	1.813	0.91
CDCY-3.50-R	3.500	2.00	1.1250	30	2.1	0.03	2.063	1.03
CDCY-4.00-R	4.000	2.25	1.2500	30	2.3	0.03	2.313	1.16
CDCY-5.00-R	5.000	2.75	1.7500	48	2.9	0.06	2.875	1.44
CDCY-6.00-R	6.000	3.25	2.2500	56	3.6	0.06	3.375	1.69
CDCY-7.00-R	7.000	3.75	2.7500	60	4.1	0.06	3.875	1.94
CDCY-8.00-R	8.000	4.25	3.2550	40	4.7	0.13	4.500	2.25
CDCY-9.00-R	9.000	4.75	3.7550	40	5.3	0.13	5.000	2.50
CDCY-10.00-R	10.000	5.25	4.2550	40	5.9	0.13	5.500	2.75

Optional PCI Yoke Shaft	Optional PCI Eccentric Yoke Shaft
YSH-.625-R	YSHE-.625-R
YSH-.625-R	YSHE-.625-R
YSH-.750-R	YSHE-.750-R
YSH-.750-R	YSHE-.750-R
YSH-1.000-R	YSHE-1.000-R
YSH-1.000-R	YSHE-1.000-R
YSH-1.125-R	YSHE-1.125-R
YSH-1.250-R	YSHE-1.250-R
YSH-1.750-R	YSHE-1.750-R
YSH-2.250-R	YSHE-2.250-R
YSH-2.750-R	YSHE-2.750-R
YSH-3.250-R	-
YSH-3.750-R	-
YSH-4.250-R	-

CDCY-R Series DCB Roller Assembly

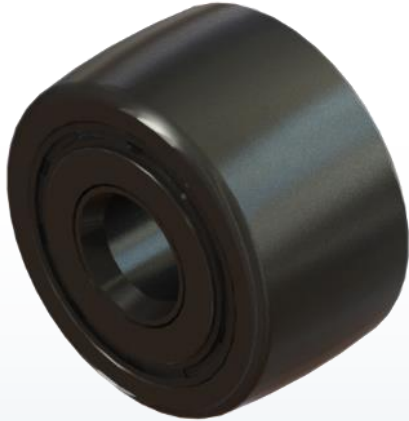
Crowned/Spherical – Yoke Type

Full Complement Cylindrical Roller Bearings - Regreasable



989.358.6148

www.pcimfg.com



ADDITIONAL NOTES

FC DCRB: Full Complement Double Row Cylindrical Roller Bearings – Alloy Steel

PCI Heavy Duty Yoke Shafts are available at an additional cost. See YSH page for details.

Specifications subject to change without notice.

Yoke Type DCB Roller Part Number	Basic Radial Dynamic Load Rating (lbs) C	Basic Radial Static Load Rating (lbs) Co	Seal Type	Bearing Type	Approx. Roller Weight (lbs)
CDCY-2.00-R	12,140	15,309	Rubber Lip	FC DCRB	0.83
CDCY-2.25-R	12,140	15,309	Rubber Lip	FC DCRB	1.11
CDCY-2.50-R	18,592	24,279	Rubber Lip	FC DCRB	1.61
CDCY-2.75-R	18,592	24,279	Rubber Lip	FC DCRB	2.04
CDCY-3.00-R	27,600	38,000	Rubber Lip	FC DCRB	2.68
CDCY-3.25-R	27,600	38,000	Rubber Lip	FC DCRB	3.28
CDCY-3.50-R	36,000	50,100	Rubber Lip	FC DCRB	4.15
CDCY-4.00-R	47,200	67,200	Rubber Lip	FC DCRB	6.11
CDCY-5.00-R	71,000	104,700	Rubber Lip	FC DCRB	11.44
CDCY-6.00-R	102,000	155,500	Rubber Lip	FC DCRB	19.38
CDCY-7.00-R	132,400	204,800	Rubber Lip	FC DCRB	29.66
CDCY-8.00-R	169,200	267,500	Rubber Lip	FC DCRB	42.93
CDCY-9.00-R	210,600	337,200	Rubber Lip	FC DCRB	59.70
CDCY-10.00-R	260,700	424,800	Rubber Lip	FC DCRB	80.67