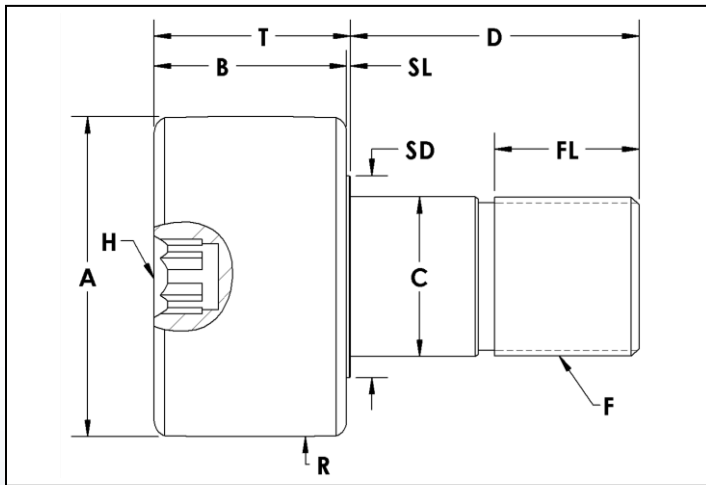


HCDC Series DCB Roller Assembly

Crowned/Spherical – Heavy Stud Type Concentric – Hex Socket
Full Complement Cylindrical Roller Bearings



Stud Type DCB Roller Part Number	A Roller Dia. +.000 -.001	B Roller Width	C Stud Dia. +.000 -.001	D Stud Length	F Thread Size	FL Thread Length	H Hex Size	R Crown Radius	SD Shoulder Dia.	SL Shoulder Length	T Roller Width + Shoulder Length
HCDC-2.50	2.500	1.50	1.250	2.25	1 1/4 - 12	1.13	3/4	30	1.6	0.03	1.53
HCDC-2.75	2.750	1.50	1.250	2.25	1 1/4 - 12	1.13	3/4	30	1.6	0.03	1.53
HCDC-3.00	3.000	1.75	1.500	2.50	1 1/2 - 12	1.25	3/4	30	1.9	0.03	1.78
HCDC-3.25	3.250	1.75	1.500	2.50	1 1/2 - 12	1.25	3/4	30	1.9	0.03	1.78
HCDC-3.50	3.500	2.00	1.750	2.75	1 3/4 - 12	1.38	3/4	30	2.1	0.03	2.03
HCDC-4.00	4.000	2.25	2.000	3.50	2 - 12	1.50	3/4	30	2.3	0.03	2.28
HCDC-5.00	5.000	2.75	2.500	5.06	2 1/2 - 12	2.56	7/8	48	2.9	0.06	2.81
HCDC-6.00	6.000	3.25	3.000	6.00	3 - 12	3.00	1	56	3.6	0.06	3.31
HCDC-7.00	7.000	3.75	3.500	7.68	3 1/2 - 4	4.13	1 1/4	60	4.1	0.06	3.81

HCDC Series DCB Roller Assembly

Crowned/Spherical – Heavy Stud Type Concentric – Hex Socket
Full Complement Cylindrical Roller Bearings



ADDITIONAL NOTES

*For lubricated threads, use half the maximum clamping torque value shown.

FC DCRB: Full Complement Double Row Cylindrical Roller Bearings – Alloy Steel

Jam Nut/Lock Washer sets are available at an additional cost.

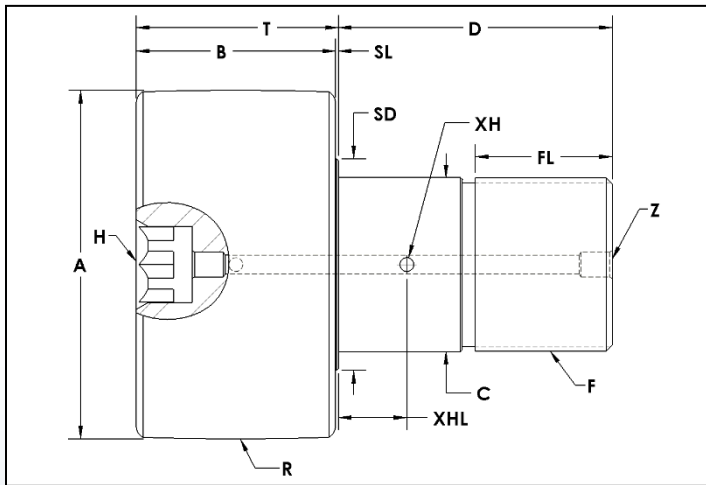
Specifications subject to change without notice.

Stud Type DCB Roller Part Number	Basic Radial Dynamic Load Rating (lbs) C	Basic Radial Static Load Rating (lbs) Co	Stud Capacity (lbs)	Max. Clamping Torque (in-lbs)*	Seal Type	Bearing Type	Approx. Roller Weight (lbs)
HCDC-2.50	18,592	24,279	15,270	1,500	Rubber Lip	FC DCRB	2.54
HCDC-2.75	18,592	24,279	15,270	1,500	Rubber Lip	FC DCRB	2.97
HCDC-3.00	27,600	38,000	22,670	2,250	Rubber Lip	FC DCRB	4.22
HCDC-3.25	27,600	38,000	22,670	2,250	Rubber Lip	FC DCRB	4.82
HCDC-3.50	36,000	50,100	31,570	5,000	Rubber Lip	FC DCRB	6.49
HCDC-4.00	47,200	67,200	41,960	5,000	Rubber Lip	FC DCRB	9.88
HCDC-5.00	71,000	104,700	66,490	5,000	Rubber Lip	FC DCRB	20.15
HCDC-6.00	102,000	155,500	97,540	5,000	Rubber Lip	FC DCRB	34.39
HCDC-7.00	132,400	204,800	134,570	5,000	Rubber Lip	FC DCRB	55.65

HCDC-R Series DCB Roller Assembly

Crowned/Spherical – Heavy Stud Type Concentric – Hex Socket
Full Complement Cylindrical Roller Bearings - Regreasable

PCT[®]
989.358.6148
www.pcimfg.com



Stud Type DCB Roller Part Number	A	B	C	D	F	FL	H	R	SD	SL	T	XH	XHL	Z
	Roller Dia. +.000 -.001	Roller Width	Stud Dia. +.000 -.001	Stud Length	Thread Size	Thread Length	Hex Size	Crown Radius	Shoulder Dia.	Shoulder Length	Roller Width + Shoulder Length	Crosshole Dia	Crosshole Location	Lube Size
HCDC-2.50-R	2.500	1.50	1.250	2.25	1 1/4 - 12	1.13	3/4	30	1.6	0.03	1.53	0.13	0.56	1/4 Drive†
HCDC-2.75-R	2.750	1.50	1.250	2.25	1 1/4 - 12	1.13	3/4	30	1.6	0.03	1.53	0.13	0.56	1/4 Drive†
HCDC-3.00-R	3.000	1.75	1.500	2.50	1 1/2 - 12	1.25	3/4	30	1.9	0.03	1.78	0.13	0.63	1/4 Drive
HCDC-3.25-R	3.250	1.75	1.500	2.50	1 1/2 - 12	1.25	3/4	30	1.9	0.03	1.78	0.13	0.63	1/4 Drive
HCDC-3.50-R	3.500	2.00	1.750	2.75	1 3/4 - 12	1.38	3/4	30	2.1	0.03	2.03	0.13	0.69	1/4 Drive
HCDC-4.00-R	4.000	2.25	2.000	3.50	2 - 12	1.50	3/4	30	2.3	0.03	2.28	0.13	0.75	1/4 Drive
HCDC-5.00-R	5.000	2.75	2.500	5.06	2 1/2 - 12	2.56	7/8	48	2.9	0.06	2.81	0.19	0.88	1/4-18 NPT
HCDC-6.00-R	6.000	3.25	3.000	6.00	3 - 12	3.00	1	56	3.6	0.06	3.31	0.19	1.00	1/4-18 NPT
HCDC-7.00-R	7.000	3.75	3.500	7.68	3 1/2 - 4	4.13	1 1/4	60	4.1	0.06	3.81	0.19	1.25	1/4-18 NPT

† Lubrication in threaded end and cross hole only.

HCDC-R Series DCB Roller Assembly

Crowned/Spherical – Heavy Stud Type Concentric – Hex Socket
Full Complement Cylindrical Roller Bearings - Regreasable



ADDITIONAL NOTES

*For lubricated threads, use half the maximum clamping torque value shown.

FC DCRB: Full Complement Double Row Cylindrical Roller Bearings – Alloy Steel

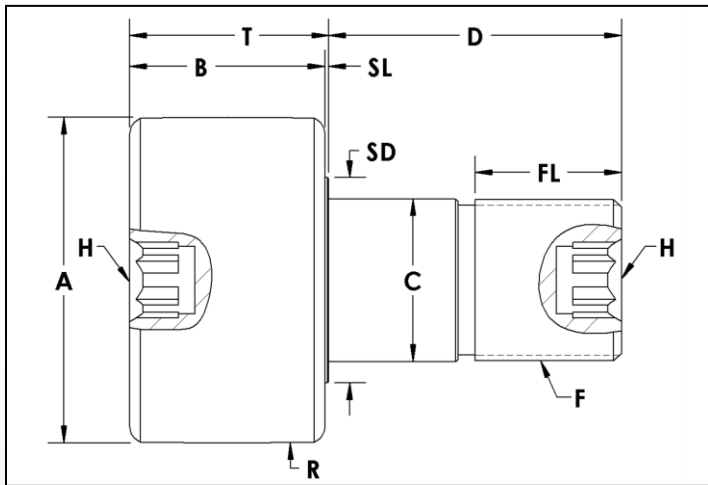
Jam Nut/Lock Washer sets are available at an additional cost.

Specifications subject to change without notice.

Stud Type DCB Roller Part Number	Basic Radial Dynamic Load Rating (lbs) C	Basic Radial Static Load Rating (lbs) Co	Stud Capacity (lbs)	Max. Clamping Torque (in-lbs)*	Seal Type	Bearing Type	Approx. Roller Weight (lbs)
HCDC-2.50-R	18,592	24,279	15,270	1,500	Rubber Lip	FC DCRB	2.54
HCDC-2.75-R	18,592	24,279	15,270	1,500	Rubber Lip	FC DCRB	2.97
HCDC-3.00-R	27,600	38,000	22,670	2,250	Rubber Lip	FC DCRB	4.22
HCDC-3.25-R	27,600	38,000	22,670	2,250	Rubber Lip	FC DCRB	4.82
HCDC-3.50-R	36,000	50,100	31,570	5,000	Rubber Lip	FC DCRB	6.49
HCDC-4.00-R	47,200	67,200	41,960	5,000	Rubber Lip	FC DCRB	9.88
HCDC-5.00-R	71,000	104,700	66,490	5,000	Rubber Lip	FC DCRB	20.15
HCDC-6.00-R	102,000	155,500	97,540	5,000	Rubber Lip	FC DCRB	34.43
HCDC-7.00-R	132,400	204,800	134,570	5,000	Rubber Lip	FC DCRB	55.65

HCDC-H Series DCB Roller Assembly

Crowned/Spherical-Heavy Stud Type Concentric-Hex Socket in Both Ends
Full Complement Cylindrical Roller Bearings



Stud Type DCB Roller Part Number	A Roller Dia. +.000 -.001	B Roller Width	C Stud Dia. +.000 -.001	D Stud Length	F Thread Size	FL Thread Length	H Hex Size	R Crown Radius	SD Shoulder Dia.	SL Shoulder Length	T Roller Width + Shoulder Length
HCDC-2.50-H	2.500	1.50	1.250	2.25	1 1/4 - 12	1.13	3/4	30	1.6	0.03	1.53
HCDC-2.75-H	2.750	1.50	1.250	2.25	1 1/4 - 12	1.13	3/4	30	1.6	0.03	1.53
HCDC-3.00-H	3.000	1.75	1.500	2.50	1 1/2 - 12	1.25	3/4	30	1.9	0.03	1.78
HCDC-3.25-H	3.250	1.75	1.500	2.50	1 1/2 - 12	1.25	3/4	30	1.9	0.03	1.78
HCDC-3.50-H	3.500	2.00	1.750	2.75	1 3/4 - 12	1.38	3/4	30	2.1	0.03	2.03
HCDC-4.00-H	4.000	2.25	2.000	3.50	2 - 12	1.50	3/4	30	2.3	0.03	2.28
HCDC-5.00-H	5.000	2.75	2.500	5.06	2 1/2 - 12	2.56	7/8	48	2.9	0.06	2.81
HCDC-6.00-H	6.000	3.25	3.000	6.00	3 - 12	3.00	1	56	3.6	0.06	3.31
HCDC-7.00-H	7.000	3.75	3.500	7.68	3 1/2 - 4	4.13	1 1/4	60	4.1	0.06	3.81

HCDC-H Series DCB Roller Assembly

Crowned/Spherical – Heavy Stud Type Concentric– Hex Socket in Both Ends
Full Complement Cylindrical Roller Bearings



ADDITIONAL NOTES

*For lubricated threads, use half the maximum clamping torque value shown.

FC DCRB: Full Complement Double Row Cylindrical Roller Bearings – Alloy Steel

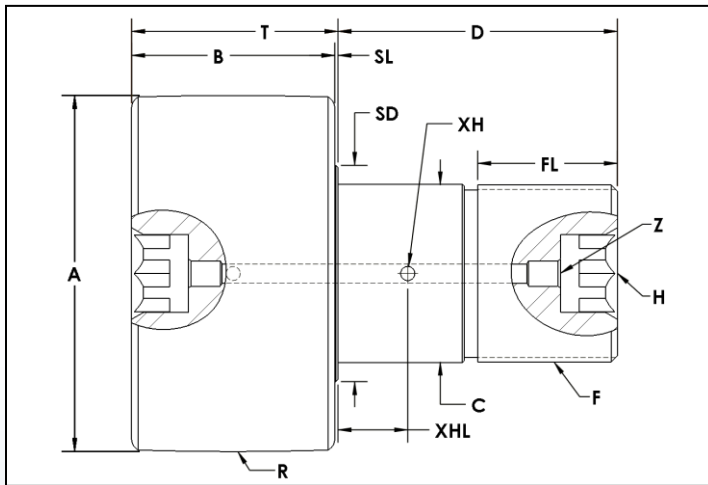
Jam Nut/Lock Washer sets are available at an additional cost.

Specifications subject to change without notice.

Stud Type DCB Roller Part Number	Basic Radial Dynamic Load Rating (lbs) C	Basic Radial Static Load Rating (lbs) Co	Stud Capacity (lbs)	Max. Clamping Torque (in-lbs)*	Seal Type	Bearing Type	Approx. Roller Weight (lbs)
HCDC-2.50-H	18,592	24,279	15,270	1,500	Rubber Lip	FC DCRB	2.54
HCDC-2.75-H	18,592	24,279	15,270	1,500	Rubber Lip	FC DCRB	2.97
HCDC-3.00-H	27,600	38,000	22,670	2,250	Rubber Lip	FC DCRB	4.22
HCDC-3.25-H	27,600	38,000	22,670	2,250	Rubber Lip	FC DCRB	4.82
HCDC-3.50-H	36,000	50,100	31,570	5,000	Rubber Lip	FC DCRB	6.49
HCDC-4.00-H	47,200	67,200	41,960	5,000	Rubber Lip	FC DCRB	9.88
HCDC-5.00-H	71,000	104,700	66,490	5,000	Rubber Lip	FC DCRB	20.15
HCDC-6.00-H	102,000	155,500	97,540	5,000	Rubber Lip	FC DCRB	34.43
HCDC-7.00-H	132,400	204,800	134,570	5,000	Rubber Lip	FC DCRB	55.65

HCDC-R-H Series DCB Roller Assembly

Crowned/Spherical-Heavy Stud Type Concentric-Hex Socket in Both Ends
Full Complement Cylindrical Roller Bearings - Regreasable



Stud Type DCB Roller Part Number	A	B	C	D	F	FL	H	R	SD	SL	T	XH	XHL	Z
	Roller Dia. +.000 -.001	Roller Width	Stud Dia. +.000 -.001	Stud Length	Thread Size	Thread Length	Hex Size	Crown Radius	Shoulder Dia.	Shoulder Length	Roller Width + Shoulder Length	Crosshole Dia	Crosshole Location	Lube Size
HCDC-2.50-R-H	2.500	1.50	1.250	2.25	1 1/4 - 12	1.13	3/4	30	1.6	0.03	1.53	0.13	0.56	1/4-28 UNF†
HCDC-2.75-R-H	2.750	1.50	1.250	2.25	1 1/4 - 12	1.13	3/4	30	1.6	0.03	1.53	0.13	0.56	1/4-28 UNF†
HCDC-3.00-R-H	3.000	1.75	1.500	2.50	1 1/2 - 12	1.25	3/4	30	1.9	0.03	1.78	0.13	0.63	1/4 Drive
HCDC-3.25-R-H	3.250	1.75	1.500	2.50	1 1/2 - 12	1.25	3/4	30	1.9	0.03	1.78	0.13	0.63	1/4 Drive
HCDC-3.50-R-H	3.500	2.00	1.750	2.75	1 3/4 - 12	1.38	3/4	30	2.1	0.03	2.03	0.13	0.69	1/4 Drive
HCDC-4.00-R-H	4.000	2.25	2.000	3.50	2 - 12	1.50	3/4	30	2.3	0.03	2.28	0.13	0.75	1/4 Drive
HCDC-5.00-R-H	5.000	2.75	2.500	5.06	2 1/2 - 12	2.56	7/8	48	2.9	0.06	2.81	0.19	0.88	1/4-18 NPT
HCDC-6.00-R-H	6.000	3.25	3.000	6.00	3 - 12	3.00	1	56	3.6	0.06	3.31	0.19	1.00	1/4-18 NPT
HCDC-7.00-R-H	7.000	3.75	3.500	7.68	3 1/2 - 4	4.13	1 1/4	60	4.1	0.06	3.81	0.19	1.25	1/4-18 NPT

† Lubrication in threaded end and only. Grease fitting extends from end of stud.

HCDC-R-H Series DCB Roller Assembly

Crowned/Spherical – Heavy Stud Type Concentric– Hex Socket in Both Ends
Full Complement Cylindrical Roller Bearings - Regreasable



ADDITIONAL NOTES

*For lubricated threads, use half the maximum clamping torque value shown.

FC DCRB: Full Complement Double Row Cylindrical Roller Bearings – Alloy Steel

Jam Nut/Lock Washer sets are available at an additional cost.

Specifications subject to change without notice.

Stud Type DCB Roller Part Number	Basic Radial Dynamic Load Rating (lbs) C	Basic Radial Static Load Rating (lbs) Co	Stud Capacity (lbs)	Max. Clamping Torque (in-lbs)*	Seal Type	Bearing Type	Approx. Roller Weight (lbs)
HCDC-2.50-R-H	18,592	24,279	15,270	1,500	Rubber Lip	FC DCRB	2.54
HCDC-2.75-R-H	18,592	24,279	15,270	1,500	Rubber Lip	FC DCRB	2.97
HCDC-3.00-R-H	27,600	38,000	22,670	2,250	Rubber Lip	FC DCRB	4.22
HCDC-3.25-R-H	27,600	38,000	22,670	2,250	Rubber Lip	FC DCRB	4.82
HCDC-3.50-R-H	36,000	50,100	31,570	5,000	Rubber Lip	FC DCRB	6.49
HCDC-4.00-R-H	47,200	67,200	41,960	5,000	Rubber Lip	FC DCRB	9.88
HCDC-5.00-R-H	71,000	104,700	66,490	5,000	Rubber Lip	FC DCRB	20.15
HCDC-6.00-R-H	102,000	155,500	97,540	5,000	Rubber Lip	FC DCRB	34.43
HCDC-7.00-R-H	132,400	204,800	134,570	5,000	Rubber Lip	FC DCRB	55.65