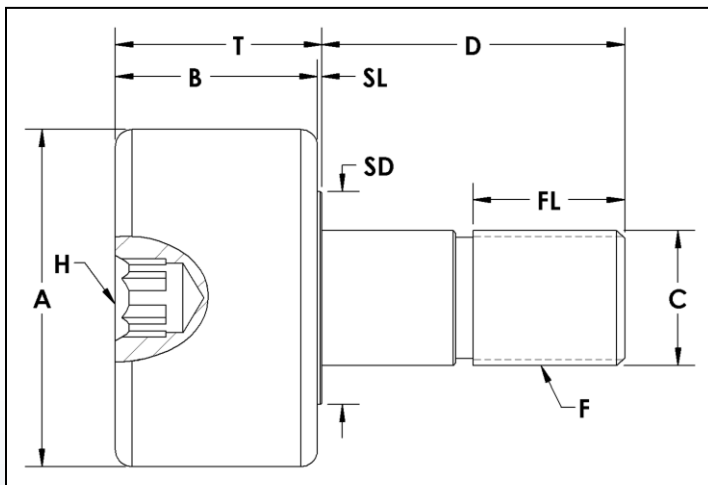


PDC Series DCB Roller Assembly

Plain/Cylindrical – Stud Type Concentric – Hex Socket
Full Complement Cylindrical Roller Bearings



Stud Type DCB Roller Part Number	A Roller Dia. +0.000 -0.001	B Roller Width	C Stud Dia. +0.000 -0.001	D Stud Length	F Thread Size	FL Thread Length	H Hex Size	SD Shoulder Dia.	SL Shoulder Length	T Roller Width + Shoulder Length
PDC-2.00	2.000	1.25	0.875	2.00	7/8 - 14	1.00	7/16	1.2	0.03	1.28
PDC-2.25	2.250	1.25	0.875	2.00	7/8 - 14	1.00	7/16	1.2	0.03	1.28
PDC-2.50	2.500	1.50	1.000	2.25	1 - 14	1.13	1/2	1.6	0.03	1.53
PDC-2.75	2.750	1.50	1.000	2.25	1 - 14	1.13	1/2	1.6	0.03	1.53
PDC-3.00	3.000	1.75	1.250	2.50	1 1/4 - 12	1.25	3/4	1.9	0.03	1.78
PDC-3.25	3.250	1.75	1.250	2.50	1 1/4 - 12	1.25	3/4	1.9	0.03	1.78
PDC-3.50	3.500	2.00	1.375	2.75	1 3/8 - 12	1.38	3/4	2.1	0.03	2.03
PDC-4.00	4.000	2.25	1.500	3.50	1 1/2 - 12	1.50	3/4	2.3	0.03	2.28
PDC-5.00	5.000	2.75	2.000	5.06	2 - 12	2.56	7/8	2.9	0.06	2.81
PDC-6.00	6.000	3.25	2.500	6.00	2 1/2 - 12	3.00	1	3.6	0.06	3.31
PDC-7.00	7.000	3.75	3.000	7.68	3 - 12	4.13	1 1/4	4.1	0.06	3.81
PDC-8.00	8.000	4.25	3.250	8.50	3 1/4 - 4	4.25	1 1/4	4.7	0.13	4.38
PDC-9.00	9.000	4.75	3.750	9.50	3 1/2 - 4	4.75	1 1/4	5.3	0.13	4.90
PDC-10.00	10.000	5.25	4.250	10.00	3 1/2 - 4	4.75	1 1/4	5.8	0.13	5.38

PDC Series DCB Roller Assembly

Plain/Cylindrical – Stud Type Concentric – Hex Socket
Full Complement Cylindrical Roller Bearings



ADDITIONAL NOTES

*For lubricated threads, use half the maximum clamping torque value shown.

FC DCRB: Full Complement Double Row Cylindrical Roller Bearings – Alloy Steel

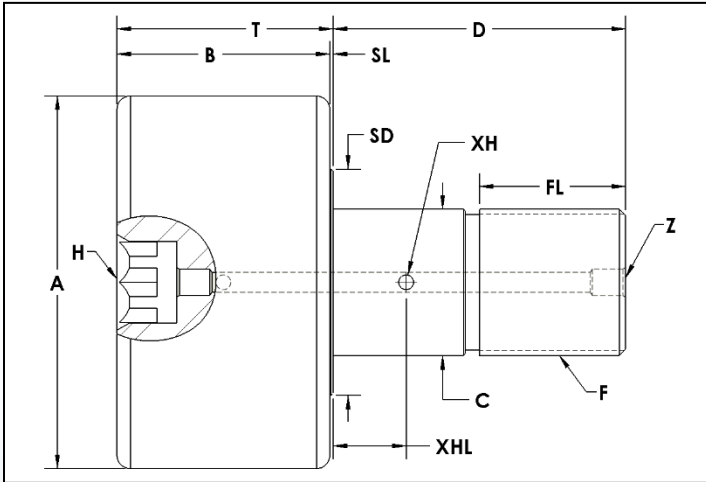
Jam Nut/Lock Washer sets are available at an additional cost.

Specifications subject to change without notice.

Stud Type DCB Roller Part Number	Basic Radial Dynamic Load Rating (lbs) C	Basic Radial Static Load Rating (lbs) Co	Stud Capacity (lbs)	Max. Clamping Torque (in-lbs)*	Seal Type	Bearing Type	Approx. Roller Weight (lbs)
PDC-2.00	12,140	15,309	6,260	650	Rubber Lip	FC DCRB	1.25
PDC-2.25	12,140	15,309	6,260	650	Rubber Lip	FC DCRB	1.54
PDC-2.50	18,592	24,279	7,820	2,250	Rubber Lip	FC DCRB	2.27
PDC-2.75	18,592	24,279	7,820	2,250	Rubber Lip	FC DCRB	2.70
PDC-3.00	27,600	38,000	13,120	3,450	Rubber Lip	FC DCRB	3.88
PDC-3.25	27,600	38,000	13,120	3,450	Rubber Lip	FC DCRB	4.48
PDC-3.50	36,000	50,100	15,310	5,000	Rubber Lip	FC DCRB	5.83
PDC-4.00	47,200	67,200	17,700	5,000	Rubber Lip	FC DCRB	8.60
PDC-5.00	71,000	104,700	34,040	5,000	Rubber Lip	FC DCRB	17.79
PDC-6.00	102,000	155,500	56,450	5,000	Rubber Lip	FC DCRB	31.16
PDC-7.00	132,400	204,800	84,740	5,000	Rubber Lip	FC DCRB	50.81
PDC-8.00	169,200	267,500	93,720	5,000	Rubber Lip	FC DCRB	73.03
PDC-9.00	210,600	337,200	128,690	5,000	Rubber Lip	FC DCRB	102.87
PDC-10.00	260,700	424,800	170,630	5,000	Rubber Lip	FC DCRB	136.68

PDC-R Series DCB Roller Assembly

Plain/Cylindrical – Stud Type Concentric – Hex Socket
Full Complement Cylindrical Roller Bearings - Regreasable



Stud Type DCB Roller Part Number	A	B	C	D	F	FL	H	SD	SL	T	XH	XHL	Z
	Roller Dia. +.000 -.001	Roller Width	Stud Dia. +.000 -.001	Stud Length	Thread Size	Thread Length	Hex Size	Shoulder Dia.	Shoulder Length	Roller Width + Shoulder Length	Crosshole Dia	Crosshole Location	Lube Size
PDC-2.00-R	2.000	1.25	0.875	2.00	7/8 - 14	1.00	7/16	1.2	0.03	1.28	0.13	0.50	1/4 Drive†
PDC-2.25-R	2.250	1.25	0.875	2.00	7/8 - 14	1.00	7/16	1.2	0.03	1.28	0.13	0.50	1/4 Drive†
PDC-2.50-R	2.500	1.50	1.000	2.25	1 - 14	1.13	1/2	1.6	0.03	1.53	0.13	0.56	1/4 Drive†
PDC-2.75-R	2.750	1.50	1.000	2.25	1 - 14	1.13	1/2	1.6	0.03	1.53	0.13	0.56	1/4 Drive†
PDC-3.00-R	3.000	1.75	1.250	2.50	1 1/4 - 12	1.25	3/4	1.9	0.03	1.78	0.13	0.63	1/4 Drive
PDC-3.25-R	3.250	1.75	1.250	2.50	1 1/4 - 12	1.25	3/4	1.9	0.03	1.78	0.13	0.63	1/4 Drive
PDC-3.50-R	3.500	2.00	1.375	2.75	1 3/8 - 12	1.38	3/4	2.1	0.03	2.03	0.13	0.69	1/4 Drive
PDC-4.00-R	4.000	2.25	1.500	3.50	1 1/2 - 12	1.50	3/4	2.3	0.03	2.28	0.13	0.75	1/4 Drive
PDC-5.00-R	5.000	2.75	2.000	5.06	2 - 12	2.56	7/8	2.9	0.06	2.81	0.19	0.88	1/4-18 NPT
PDC-6.00-R	6.000	3.25	2.500	6.00	2 1/2 - 12	3.00	1	3.6	0.06	3.31	0.19	1.00	1/4-18 NPT
PDC-7.00-R	7.000	3.75	3.000	7.68	3 - 12	4.13	1 1/4	4.1	0.06	3.81	0.19	1.25	1/4-18 NPT
PDC-8.00-R	8.000	4.25	3.250	8.50	3 1/4 - 4	4.25	1 1/4	4.7	0.13	4.38	-	-	1/4-18 NPT‡
PDC-9.00-R	9.000	4.75	3.750	9.50	3 1/2 - 4	4.75	1 1/4	5.3	0.13	4.90	-	-	1/4-18 NPT‡
PDC-10.00-R	10.000	5.25	4.250	10.00	3 1/2 - 4	4.75	1 1/4	5.8	0.13	5.38	-	-	1/4-18 NPT‡

† Lubrication through threaded end and cross hole only

‡ Lubrication through hex in roller end only.

PDC-R Series DCB Roller Assembly

Plain/Cylindrical – Stud Type Concentric – Hex Socket

Full Complement Cylindrical Roller Bearings - Regreasable



ADDITIONAL NOTES

*For lubricated threads, use half the maximum clamping torque value shown.

FC DCRB: Full Complement Double Row Cylindrical Roller Bearings – Alloy Steel

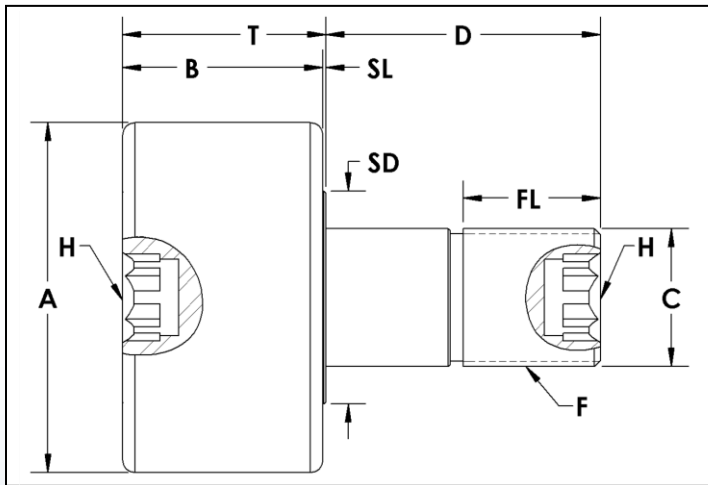
Jam Nut/Lock Washer sets are available at an additional cost.

Specifications subject to change without notice.

Stud Type DCB Roller Part Number	Basic Radial Dynamic Load Rating (lbs) C	Basic Radial Static Load Rating (lbs) Co	Stud Capacity (lbs)	Max. Clamping Torque (in-lbs)*	Seal Type	Bearing Type	Approx. Roller Weight (lbs)
PDC-2.00-R	12,140	15,309	6,260	650	Rubber Lip	FC DCRB	1.25
PDC-2.25-R	12,140	15,309	6,260	650	Rubber Lip	FC DCRB	1.54
PDC-2.50-R	18,592	24,279	7,820	2,250	Rubber Lip	FC DCRB	2.27
PDC-2.75-R	18,592	24,279	7,820	2,250	Rubber Lip	FC DCRB	2.70
PDC-3.00-R	27,600	38,000	13,120	3,450	Rubber Lip	FC DCRB	3.88
PDC-3.25-R	27,600	38,000	13,120	3,450	Rubber Lip	FC DCRB	4.48
PDC-3.50-R	36,000	50,100	15,310	5,000	Rubber Lip	FC DCRB	5.83
PDC-4.00-R	47,200	67,200	17,700	5,000	Rubber Lip	FC DCRB	8.60
PDC-5.00-R	71,000	104,700	34,040	5,000	Rubber Lip	FC DCRB	17.79
PDC-6.00-R	102,000	155,500	56,450	5,000	Rubber Lip	FC DCRB	31.16
PDC-7.00-R	132,400	204,800	84,740	5,000	Rubber Lip	FC DCRB	50.81
PDC-8.00-R	169,200	267,500	93,720	5,000	Rubber Lip	FC DCRB	73.03
PDC-9.00-R	210,600	337,200	128,690	5,000	Rubber Lip	FC DCRB	102.87
PDC-10.00-R	260,700	424,800	170,630	5,000	Rubber Lip	FC DCRB	136.68

PDC-H Series DCB Roller Assembly

Plain/Cylindrical – Stud Type Concentric – Hex Socket in Both Ends
Full Complement Cylindrical Roller Bearings



Stud Type DCB Roller Part Number	A Roller Dia. +0.000 -0.001	B Roller Width	C Stud Dia. +0.000 -0.001	D Stud Length	F Thread Size	FL Thread Length	H Hex Size	SD Shoulder Dia.	SL Shoulder Length	T Roller Width + Shoulder Length
PDC-2.00-H	2.000	1.25	0.875	2.00	7/8 - 14	1.00	7/16	1.2	0.03	1.28
PDC-2.25-H	2.250	1.25	0.875	2.00	7/8 - 14	1.00	7/16	1.2	0.03	1.28
PDC-2.50-H	2.500	1.50	1.000	2.25	1 - 14	1.13	1/2	1.6	0.03	1.53
PDC-2.75-H	2.750	1.50	1.000	2.25	1 - 14	1.13	1/2	1.6	0.03	1.53
PDC-3.00-H	3.000	1.75	1.250	2.50	1 1/4 - 12	1.25	3/4	1.9	0.03	1.78
PDC-3.25-H	3.250	1.75	1.250	2.50	1 1/4 - 12	1.25	3/4	1.9	0.03	1.78
PDC-3.50-H	3.500	2.00	1.375	2.75	1 3/8 - 12	1.38	3/4	2.1	0.03	2.03
PDC-4.00-H	4.000	2.25	1.500	3.50	1 1/2 - 12	1.50	3/4	2.3	0.03	2.28
PDC-5.00-H	5.000	2.75	2.000	5.06	2 - 12	2.56	7/8	2.9	0.06	2.81
PDC-6.00-H	6.000	3.25	2.500	6.00	2 1/2 - 12	3.00	1	3.6	0.06	3.31
PDC-7.00-H	7.000	3.75	3.000	7.68	3 - 12	4.13	1 1/4	4.1	0.06	3.81
PDC-8.00-H	8.000	4.25	3.250	8.50	3 1/4 - 4	4.25	1 1/4	4.7	0.13	4.38
PDC-9.00-H	9.000	4.75	3.750	9.50	3 1/2 - 4	4.75	1 1/4	5.3	0.13	4.90
PDC-10.00-H	10.000	5.25	4.250	10.00	3 1/2 - 4	4.75	1 1/4	5.8	0.13	5.38

PDC-H Series DCB Roller Assembly

Plain/Cylindrical – Stud Type Concentric – Hex Socket in Both Ends
Full Complement Cylindrical Roller Bearings



ADDITIONAL NOTES

*For lubricated threads, use half the maximum clamping torque value shown.

FC DCRB: Full Complement Double Row Cylindrical Roller Bearings – Alloy Steel

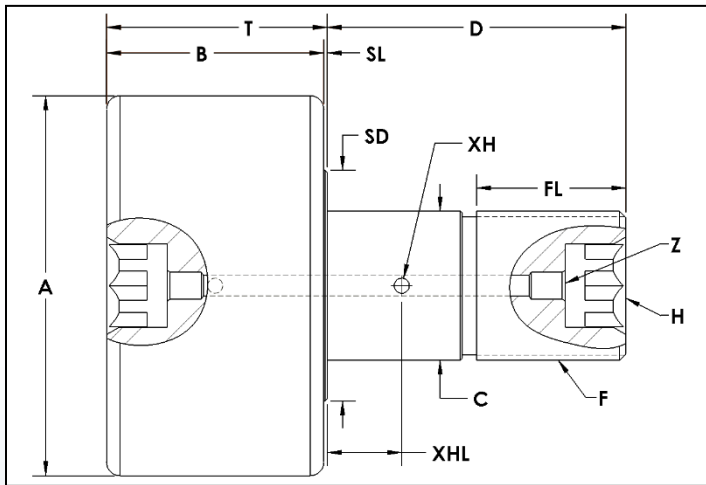
Jam Nut/Lock Washer sets are available at an additional cost.

Specifications subject to change without notice.

Stud Type DCB Roller Part Number	Basic Radial Dynamic Load Rating (lbs) C	Basic Radial Static Load Rating (lbs) Co	Stud Capacity (lbs)	Max. Clamping Torque (in-lbs)*	Seal Type	Bearing Type	Approx. Roller Weight (lbs)
PDC-2.00-H	12,140	15,309	6,260	650	Rubber Lip	FC DCRB	1.25
PDC-2.25-H	12,140	15,309	6,260	650	Rubber Lip	FC DCRB	1.54
PDC-2.50-H	18,592	24,279	7,820	2,250	Rubber Lip	FC DCRB	2.27
PDC-2.75-H	18,592	24,279	7,820	2,250	Rubber Lip	FC DCRB	2.70
PDC-3.00-H	27,600	38,000	13,120	3,450	Rubber Lip	FC DCRB	3.88
PDC-3.25-H	27,600	38,000	13,120	3,450	Rubber Lip	FC DCRB	4.48
PDC-3.50-H	36,000	50,100	15,310	5,000	Rubber Lip	FC DCRB	5.83
PDC-4.00-H	47,200	67,200	17,700	5,000	Rubber Lip	FC DCRB	8.60
PDC-5.00-H	71,000	104,700	34,040	5,000	Rubber Lip	FC DCRB	17.79
PDC-6.00-H	102,000	155,500	56,450	5,000	Rubber Lip	FC DCRB	31.16
PDC-7.00-H	132,400	204,800	84,740	5,000	Rubber Lip	FC DCRB	50.81
PDC-8.00-H	169,200	267,500	93,720	5,000	Rubber Lip	FC DCRB	73.03
PDC-9.00-H	210,600	337,200	128,690	5,000	Rubber Lip	FC DCRB	102.87
PDC-10.00-H	260,700	424,800	170,630	5,000	Rubber Lip	FC DCRB	136.68

PDC-R-H Series DCB Roller Assembly

Plain/Cylindrical – Stud Type Concentric – Hex Socket in Both Ends
Full Complement Cylindrical Roller Bearings - Regreasable



Stud Type DCB Roller Part Number	A	B	C	D	F	FL	H	SD	SL	T	XH	XHL	Z
	Roller Dia. +.000 -.001	Roller Width	Stud Dia. +.000 -.001	Stud Length	Thread Size	Thread Length	Hex Size	Shoulder Dia.	Shoulder Length	Roller Width + Shoulder Length	Crosshole Dia	Crosshole Location	Lube Size
PDC-2.00-R-H	2.000	1.25	0.875	2.00	7/8 - 14	1.00	7/16	1.2	0.03	1.28	0.13	0.50	1/4-28 UNF†
PDC-2.25-R-H	2.250	1.25	0.875	2.00	7/8 - 14	1.00	7/16	1.2	0.03	1.28	0.13	0.50	1/4-28 UNF†
PDC-2.50-R-H	2.500	1.50	1.000	2.25	1 - 14	1.13	1/2	1.6	0.03	1.53	0.13	0.56	1/4-28 UNF†
PDC-2.75-R-H	2.750	1.50	1.000	2.25	1 - 14	1.13	1/2	1.6	0.03	1.53	0.13	0.56	1/4-28 UNF†
PDC-3.00-R-H	3.000	1.75	1.250	2.50	1 1/4 - 12	1.25	3/4	1.9	0.03	1.78	0.13	0.63	1/4 Drive
PDC-3.25-R-H	3.250	1.75	1.250	2.50	1 1/4 - 12	1.25	3/4	1.9	0.03	1.78	0.13	0.63	1/4 Drive
PDC-3.50-R-H	3.500	2.00	1.375	2.75	1 3/8 - 12	1.38	3/4	2.1	0.03	2.03	0.13	0.69	1/4 Drive
PDC-4.00-R-H	4.000	2.25	1.500	3.50	1 1/2 - 12	1.50	3/4	2.3	0.03	2.28	0.13	0.75	1/4 Drive
PDC-5.00-R-H	5.000	2.75	2.000	5.06	2 - 12	2.56	7/8	2.9	0.06	2.81	0.19	0.88	1/4-18 NPT
PDC-6.00-R-H	6.000	3.25	2.500	6.00	2 1/2 - 12	3.00	1	3.6	0.06	3.31	0.19	1.00	1/4-18 NPT
PDC-7.00-R-H	7.000	3.75	3.000	7.68	3 - 12	4.13	1 1/4	4.1	0.06	3.81	0.19	1.25	1/4-18 NPT
PDC-8.00-R-H	8.000	4.25	3.250	8.50	3 1/4 - 4	4.25	1 1/4	4.7	0.13	4.38	-	-	1/4-18 NPT‡
PDC-9.00-R-H	9.000	4.75	3.750	9.50	3 1/2 - 4	4.75	1 1/4	5.3	0.13	4.90	-	-	1/4-18 NPT‡
PDC-10.00-R-H	10.000	5.25	4.250	10.00	3 1/2 - 4	4.75	1 1/4	5.8	0.13	5.38	-	-	1/4-18 NPT‡

† Lubrication in threaded end and cross hole only. Grease fitting extends from end of stud

‡ Lubrication through hex in roller end only.

PDC-R-H Series DCB Roller Assembly

Plain/Cylindrical – Stud Type Concentric – Hex Socket in Both Ends

Full Complement Cylindrical Roller Bearings - Regreasable



ADDITIONAL NOTES

*For lubricated threads, use half the maximum clamping torque value shown.

FC DCRB: Full Complement Double Row Cylindrical Roller Bearings – Alloy Steel

Jam Nut/Lock Washer sets are available at an additional cost.

Specifications subject to change without notice.

Stud Type DCB Roller Part Number	Basic Radial Dynamic Load Rating (lbs) C	Basic Radial Static Load Rating (lbs) Co	Stud Capacity (lbs)	Max. Clamping Torque (in-lbs)*	Seal Type	Bearing Type	Approx. Roller Weight (lbs)
PDC-2.00-R-H	12,140	15,309	6,260	650	Rubber Lip	FC DCRB	1.25
PDC-2.25-R-H	12,140	15,309	6,260	650	Rubber Lip	FC DCRB	1.54
PDC-2.50-R-H	18,592	24,279	7,820	2,250	Rubber Lip	FC DCRB	2.27
PDC-2.75-R-H	18,592	24,279	7,820	2,250	Rubber Lip	FC DCRB	2.70
PDC-3.00-R-H	27,600	38,000	13,120	3,450	Rubber Lip	FC DCRB	3.88
PDC-3.25-R-H	27,600	38,000	13,120	3,450	Rubber Lip	FC DCRB	4.48
PDC-3.50-R-H	36,000	50,100	15,310	5,000	Rubber Lip	FC DCRB	5.83
PDC-4.00-R-H	47,200	67,200	17,700	5,000	Rubber Lip	FC DCRB	8.60
PDC-5.00-R-H	71,000	104,700	34,040	5,000	Rubber Lip	FC DCRB	17.79
PDC-6.00-R-H	102,000	155,500	56,450	5,000	Rubber Lip	FC DCRB	31.16
PDC-7.00-R-H	132,400	204,800	84,740	5,000	Rubber Lip	FC DCRB	50.81
PDC-8.00-R-H	169,200	267,500	93,720	5,000	Rubber Lip	FC DCRB	73.03
PDC-9.00-R-H	210,600	337,200	128,690	5,000	Rubber Lip	FC DCRB	102.87
PDC-10.00-R-H	260,700	424,800	170,630	5,000	Rubber Lip	FC DCRB	136.68