

PDCY Series DCB Roller Assembly

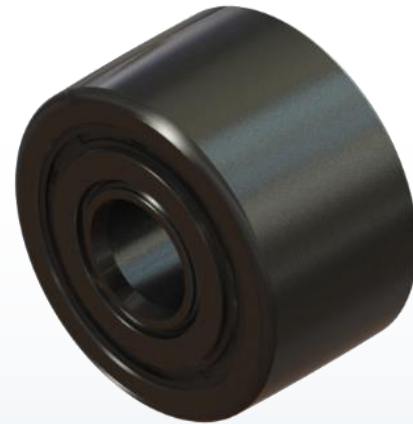
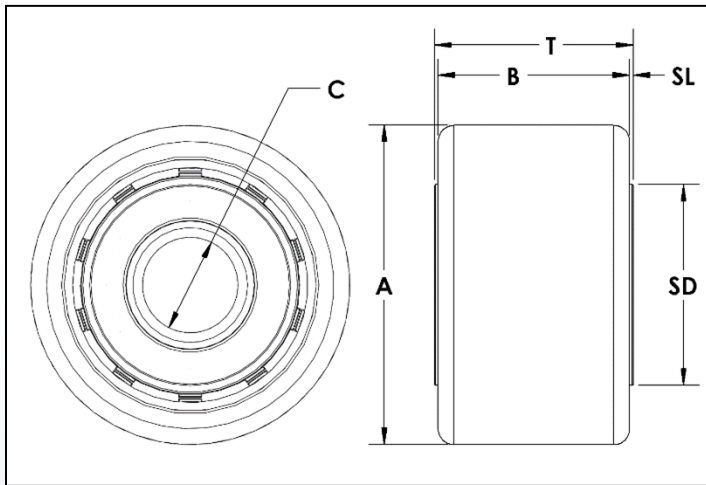
Plain/Cylindrical – Yoke Type

Full Complement Cylindrical Roller Bearings



989.358.6148

www.pcimfg.com



Yoke Type DCB Roller Part Number	A	B	C	SD	SL	T
	Roller Dia. +0.000 -0.001	Roller Width	Bore Dia. +0.0007 -0.0000	Shoulder Dia.	Shoulder Length	Inner Race Width +0.005 -0.010
PDCY-2.00	2.000	1.25	0.6250	1.2	0.03	1.313
PDCY-2.25	2.250	1.25	0.6250	1.2	0.03	1.313
PDCY-2.50	2.500	1.50	0.7500	1.6	0.03	1.563
PDCY-2.75	2.750	1.50	0.7500	1.6	0.03	1.563
PDCY-3.00	3.000	1.75	1.0000	1.9	0.03	1.813
PDCY-3.25	3.250	1.75	1.0000	1.9	0.03	1.813
PDCY-3.50	3.500	2.00	1.1250	2.1	0.03	2.063
PDCY-4.00	4.000	2.25	1.2500	2.3	0.03	2.313
PDCY-5.00	5.000	2.75	1.7500	2.9	0.06	2.875
PDCY-6.00	6.000	3.25	2.2500	3.6	0.06	3.375
PDCY-7.00	7.000	3.75	2.7500	4.1	0.06	3.875
PDCY-8.00	8.000	4.25	3.2550	4.7	0.13	4.500
PDCY-9.00	9.000	4.75	3.7550	5.3	0.13	5.000
PDCY-10.00	10.000	5.25	4.2550	5.9	0.13	5.500

Optional PCI Yoke Shaft	Optional PCI Eccentric Yoke Shaft
YSH-.625	YSHE-.625
YSH-.625	YSHE-.625
YSH-.750	YSHE-.750
YSH-.750	YSHE-.750
YSH-1.000	YSHE-1.000
YSH-1.000	YSHE-1.000
YSH-1.125	YSHE-1.125
YSH-1.250	YSHE-1.250
YSH-1.750	YSHE-1.750
YSH-2.250	YSHE-2.250
YSH-2.750	YSHE-2.750
YSH-3.250	-
YSH-3.750	-
YSH-4.250	-

PDCY Series DCB Roller Assembly

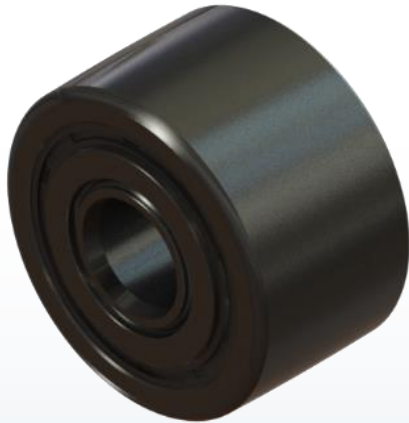
Plain/Cylindrical – Yoke Type

Full Complement Cylindrical Roller Bearings



989.358.6148

www.pcimfg.com



ADDITIONAL NOTES

FC DCRB: Full Complement Double Row Cylindrical Roller Bearings – Alloy Steel

PCI Heavy Duty Yoke Shafts are available at an additional cost. See YSH page for details.

Specifications subject to change without notice.

Yoke Type DCB Roller Part Number	Basic Radial Dynamic Load Rating (lbs) C	Basic Radial Static Load Rating (lbs) Co	Seal Type	Bearing Type	Approx. Roller Weight (lbs)
PDCY-2.00	12,140	15,309	Rubber Lip	FC DCRB	0.83
PDCY-2.25	12,140	15,309	Rubber Lip	FC DCRB	1.12
PDCY-2.50	18,592	24,279	Rubber Lip	FC DCRB	1.62
PDCY-2.75	18,592	24,279	Rubber Lip	FC DCRB	2.05
PDCY-3.00	27,600	38,000	Rubber Lip	FC DCRB	2.69
PDCY-3.25	27,600	38,000	Rubber Lip	FC DCRB	3.29
PDCY-3.50	36,000	50,100	Rubber Lip	FC DCRB	4.18
PDCY-4.00	47,200	67,200	Rubber Lip	FC DCRB	6.14
PDCY-5.00	71,000	104,700	Rubber Lip	FC DCRB	11.49
PDCY-6.00	102,000	155,500	Rubber Lip	FC DCRB	19.36
PDCY-7.00	132,400	204,800	Rubber Lip	FC DCRB	29.53
PDCY-8.00	169,200	267,500	Rubber Lip	FC DCRB	43.46
PDCY-9.00	210,600	337,200	Rubber Lip	FC DCRB	60.53
PDCY-10.00	260,700	424,800	Rubber Lip	FC DCRB	81.77

PDCY-R Series DCB Roller Assembly

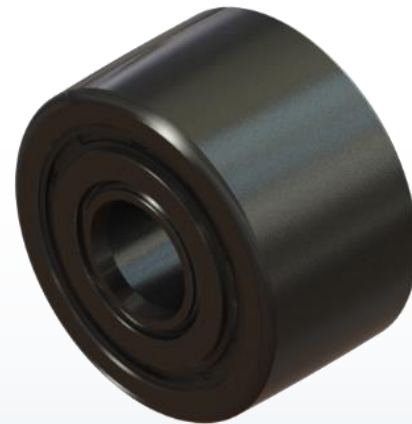
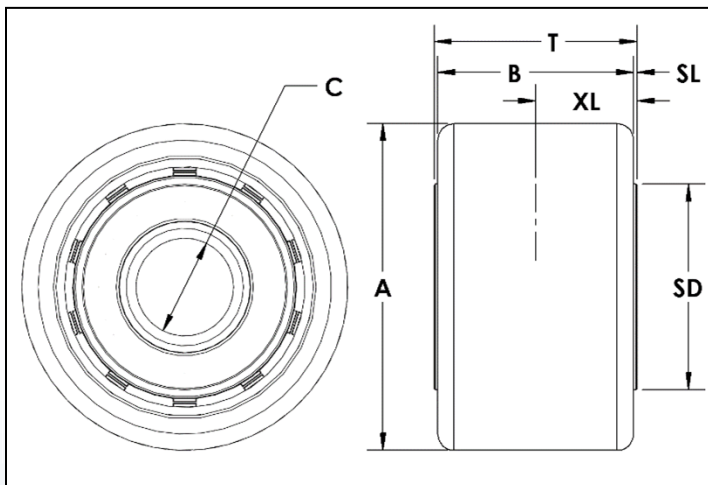
Plain/Cylindrical – Yoke Type

Full Complement Cylindrical Roller Bearings - Regreasable



989.358.6148

www.pcimfg.com



Yoke Type DCB Roller Part Number	A	B	C	SD	SL	T	XL
	Roller Dia. +0.000 -0.001	Roller Width	Bore Dia. +0.0007 -0.0000	Shoulder Dia.	Shoulder Length	Inner Race Width +0.005 -0.010	Grease Groove Location
PDCY-2.00-R	2.000	1.25	0.6250	1.2	0.03	1.313	0.66
PDCY-2.25-R	2.250	1.25	0.6250	1.2	0.03	1.313	0.66
PDCY-2.50-R	2.500	1.50	0.7500	1.6	0.03	1.563	0.78
PDCY-2.75-R	2.750	1.50	0.7500	1.6	0.03	1.563	0.78
PDCY-3.00-R	3.000	1.75	1.0000	1.9	0.03	1.813	0.91
PDCY-3.25-R	3.250	1.75	1.0000	1.9	0.03	1.813	0.91
PDCY-3.50-R	3.500	2.00	1.1250	2.1	0.03	2.063	1.03
PDCY-4.00-R	4.000	2.25	1.2500	2.3	0.03	2.313	1.16
PDCY-5.00-R	5.000	2.75	1.7500	2.9	0.06	2.875	1.44
PDCY-6.00-R	6.000	3.25	2.2500	3.6	0.06	3.375	1.69
PDCY-7.00-R	7.000	3.75	2.7500	4.1	0.06	3.875	1.94
PDCY-8.00-R	8.000	4.25	3.2550	4.7	0.13	4.500	2.25
PDCY-9.00-R	9.000	4.75	3.7550	5.3	0.13	5.000	2.50
PDCY-10.00-R	10.000	5.25	4.2550	5.9	0.13	5.500	2.75

Optional PCI Yoke Shaft	Optional PCI Eccentric Yoke Shaft
YSH-.625-R	YSHE-.625-R
YSH-.625-R	YSHE-.625-R
YSH-.750-R	YSHE-.750-R
YSH-.750-R	YSHE-.750-R
YSH-1.000-R	YSHE-1.000-R
YSH-1.000-R	YSHE-1.000-R
YSH-1.125-R	YSHE-1.125-R
YSH-1.250-R	YSHE-1.250-R
YSH-1.750-R	YSHE-1.750-R
YSH-2.250-R	YSHE-2.250-R
YSH-2.750-R	YSHE-2.750-R
YSH-3.250-R	-
YSH-3.750-R	-
YSH-4.250-R	-

PDCY-R Series DCB Roller Assembly

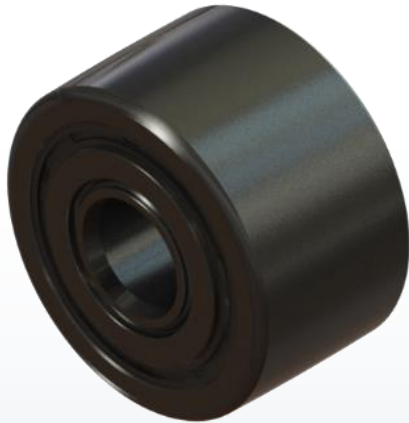
Plain/Cylindrical – Yoke Type

Full Complement Cylindrical Roller Bearings - Regreasable



989.358.6148

www.pcimfg.com



ADDITIONAL NOTES

FC DCRB: Full Complement Double Row Cylindrical Roller Bearings – Alloy Steel

PCI Heavy Duty Yoke Shafts are available at an additional cost. See YSH page for details.

Specifications subject to change without notice.

Yoke Type DCB Roller Part Number	Basic Radial Dynamic Load Rating (lbs) C	Basic Radial Static Load Rating (lbs) Co	Seal Type	Bearing Type	Approx. Roller Weight (lbs)
PDCY-2.00-R	12,140	15,309	Rubber Lip	FC DCRB	0.83
PDCY-2.25-R	12,140	15,309	Rubber Lip	FC DCRB	1.12
PDCY-2.50-R	18,592	24,279	Rubber Lip	FC DCRB	1.62
PDCY-2.75-R	18,592	24,279	Rubber Lip	FC DCRB	2.05
PDCY-3.00-R	27,600	38,000	Rubber Lip	FC DCRB	2.69
PDCY-3.25-R	27,600	38,000	Rubber Lip	FC DCRB	3.29
PDCY-3.50-R	36,000	50,100	Rubber Lip	FC DCRB	4.18
PDCY-4.00-R	47,200	67,200	Rubber Lip	FC DCRB	6.14
PDCY-5.00-R	71,000	104,700	Rubber Lip	FC DCRB	11.49
PDCY-6.00-R	102,000	155,500	Rubber Lip	FC DCRB	19.36
PDCY-7.00-R	132,400	204,800	Rubber Lip	FC DCRB	29.53
PDCY-8.00-R	169,200	267,500	Rubber Lip	FC DCRB	43.46
PDCY-9.00-R	210,600	337,200	Rubber Lip	FC DCRB	60.53
PDCY-10.00-R	260,700	424,800	Rubber Lip	FC DCRB	81.77