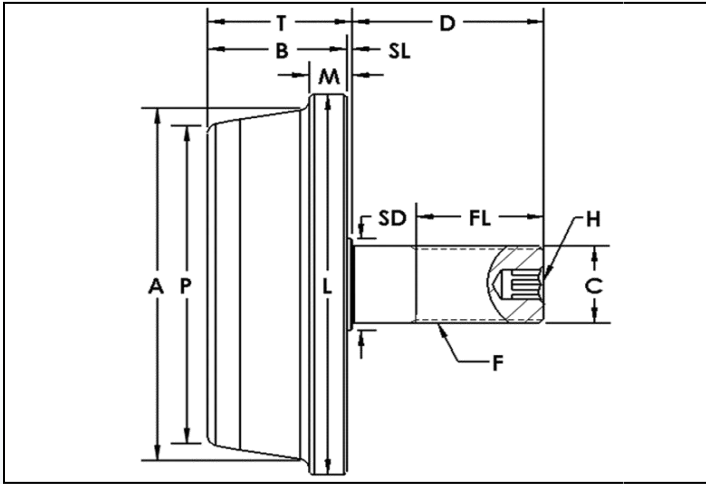


CIR Series Track Roller Assembly

Channel & I-Beam – Stud Type Concentric
Ball & Tapered Roller Bearings

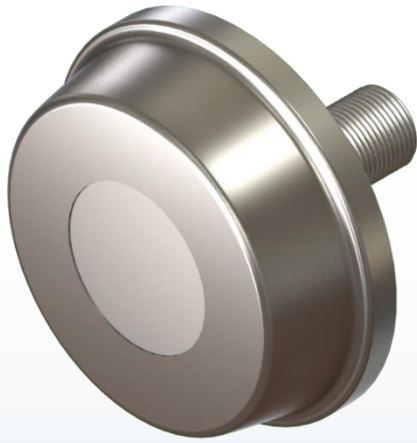
PCF[®]
989.358.6148
www.pcimfg.com



Stud Type Track Roller Part Number	A	B	C	D	F	FL	H	L	M	P	SD	SL	T
	Roller Dia.	Roller Width	Stud Dia. +.000 -.001	Stud Length	Thread Size	Thread Length	Hex Size	Flange Dia	Flange Width	Point Dia.	Shoulder Dia.	Shoulder Length	Roller Width + Shoulder Length
CIR-3.00	2.56	1.13	0.625	1.50	5/8 - 18	0.75	5/16	2.94	0.31	2.23	0.8	0.06	1.19
CIR-3.00E	2.56	1.63	0.875	2.00	7/8 - 14	1.13	5/16	2.94	0.62	2.17	1.0	0.06	1.69
CIR-3.00-1	2.50	1.63	1.000	2.25	1 - 14	1.50	3/8	2.94	0.50	2.06	1.2	0.06	1.69
CIR-4.00	3.56	1.63	0.875	2.00	7/8 - 14	1.13	5/16	3.94	0.53	3.14	1.0	0.06	1.69
CIR-4.00E	3.56	1.63	1.000	2.25	1 - 14	1.50	3/8	3.94	0.53	3.14	1.2	0.06	1.69
CIR-4.00-1	3.00	1.75	1.000	2.25	1 - 14	1.50	3/8	3.94	0.59	2.56	1.3	0.06	1.81
CIR-5.00	4.56	1.63	1.000	2.25	1 - 14	1.50	3/8	4.94	0.50	4.13	1.2	0.06	1.69
CIR-5.00E	4.56	1.94	1.250	2.50	1 1/4 - 12	1.75	1/2	4.94	0.69	4.05	1.8	0.06	2.00
CIR-5.00E-1	4.00	1.94	1.250	2.75	1 1/4 - 12	1.75	1/2	4.94	0.59	3.31	1.8	0.06	2.00
CIR-6.00	5.56	1.94	1.250	2.50	1 1/4 - 12	1.75	1/2	5.94	0.56	4.99	1.8	0.06	2.00

CIR Series Track Roller Assembly

Channel & I-Beam – Stud Type Concentric
Ball & Tapered Roller Bearings



ADDITIONAL NOTES

*For lubricated threads, use half the maximum clamping torque value shown.

DGBB: Deep Groove Ball Bearings – Alloy Steel
TRB: Tapered Roller Bearings – Alloy Steel

Jam Nut & Lock Washer sets are available at an additional cost.

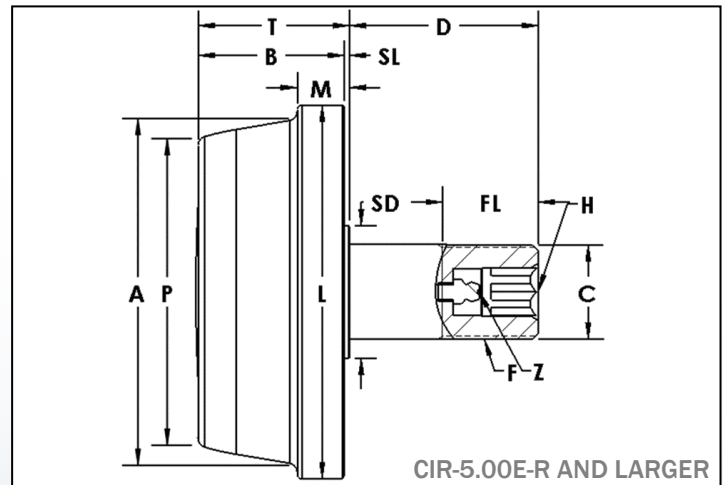
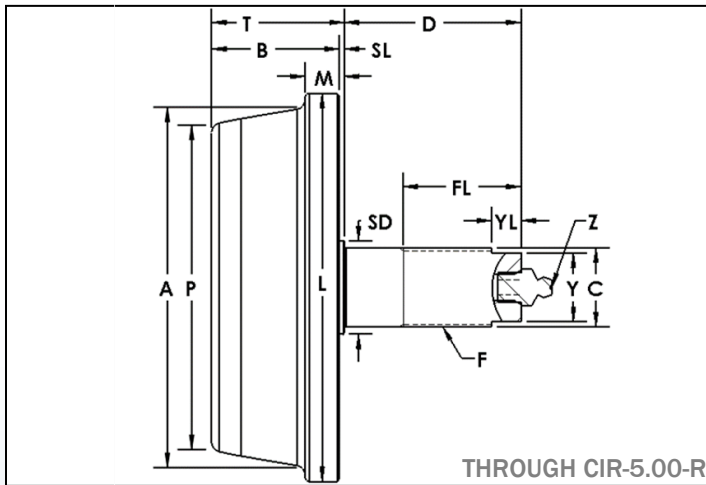
Specifications subject to change without notice.

Stud Type Track Roller Part Number	Basic Radial Dynamic Load Rating (lbs) C	Basic Radial Static Load Rating (lbs) Co	Thrust Dynamic Load Rating (lbs)	Thrust Static Load Rating (lbs)	Stud Capacity (lbs)	Retaining Ring Capacity (lbs)	Max. Clamping Torque (in-lbs)*	Seal Type	Bearing Type	Approx. Roller Weight (lbs)
CIR-3.00	2,651	1,394	1,101	348	1,070	550	350	Rubber Lip	DGBB	1.64
CIR-3.00E	3,624	2,136	1,563	534	3,020	900	650	Rubber Lip	DGBB	2.40
CIR-3.00-1	3,624	2,248	1,591	562	4,770	1,340	650	Rubber Lip	DGBB	2.37
CIR-4.00	3,624	2,136	1,563	534	2,960	900	650	Rubber Lip	DGBB	4.64
CIR-4.00E	5,390	3,507	2,407	877	6,450	1,340	650	Rubber Lip	DGBB	4.65
CIR-4.00-1	10,880	7,630	4,010	4,570	5,970	-	1,500	Rubber Dual Lip	TRB	3.98
CIR-5.00	5,390	3,507	2,407	877	6,540	1,340	650	Rubber Lip	DGBB	7.58
CIR-5.00E	14,300	20,000	5,790	12,000	10,400	-	1,500	Rubber Dual Lip	TRB	9.24
CIR-5.00E-1	14,300	20,000	5,790	12,000	10,800	-	1,500	Rubber Dual Lip	TRB	9.24
CIR-6.00	14,300	20,000	5,790	12,000	10,930	-	1,500	Rubber Dual Lip	TRB	13.40

CIR-R Series Track Roller Assembly

Channel & I-Beam – Stud Type Concentric
Ball & Tapered Roller Bearings - Regreasable

PCF[®]
989.358.6148
www.pcfmfg.com



Stud Type Track Roller Part Number	A	B	C	D	F	FL	H	L	M	P	SD	SL	T	Y	YL	Z
	Roller Dia.	Roller Width	Stud Dia. +.000 -.001	Stud Length	Thread Size	Thread Length	Hex Size	Flange Dia	Flange Width	Point Dia.	Shoulder Dia.	Shoulder Length	Roller Width + Shoulder Length	Wrench Flat	Wrench Flat Length	Lube Size
CIR-3.00-R	2.56	1.13	0.625	1.50	5/8 - 18	0.75	-	2.94	0.31	2.23	0.8	0.06	1.19	0.500	0.375	1/4-28 UNF
CIR-3.00E-R	2.56	1.63	0.875	2.00	7/8 - 14	1.13	-	2.94	0.62	2.17	1.0	0.06	1.69	0.625	0.375	1/8-27 NPT
CIR-3.00-1-R	2.50	1.63	1.000	2.25	1 - 14	1.50	-	2.94	0.50	2.06	1.2	0.06	1.69	0.875	0.375	1/8-27 NPT
CIR-4.00-R	3.56	1.63	0.875	2.00	7/8 - 14	1.13	-	3.94	0.53	3.14	1.0	0.06	1.69	0.625	0.375	1/8-27 NPT
CIR-4.00E-R	3.56	1.63	1.000	2.25	1 - 14	1.50	-	3.94	0.53	3.14	1.2	0.06	1.69	0.875	0.375	1/8-27 NPT
CIR-4.00-1-R	3.00	1.75	1.000	2.25	1 - 14	1.50	-	3.94	0.59	2.56	1.3	0.06	1.81	0.875	0.375	1/8-27 NPT
CIR-5.00-R	4.56	1.63	1.000	2.25	1 - 14	1.50	-	4.94	0.50	4.13	1.2	0.06	1.69	0.875	0.375	1/8-27 NPT
CIR-5.00E-R	4.56	1.94	1.250	2.50	1 1/4 - 12	1.75	5/8	4.94	0.69	4.05	1.8	0.06	2.00	-	-	1/4-28 UNF
CIR-5.00E-1-R	4.00	1.94	1.250	2.75	1 1/4 - 12	1.75	5/8	4.94	0.59	3.31	1.8	0.06	2.00	-	-	1/4-28 UNF
CIR-6.00-R	5.56	1.94	1.250	2.50	1 1/4 - 12	1.75	5/8	5.94	0.56	4.99	1.8	0.06	2.00	-	-	1/4-28 UNF

CIR-R Series Track Roller Assembly

Channel & I-Beam – Stud Type Concentric
Ball & Tapered Roller Bearings - Regreasable



ADDITIONAL NOTES

*For lubricated threads, use half the maximum clamping torque value shown.

DGGB: Deep Groove Ball Bearings – Alloy Steel
TRB: Tapered Roller Bearings – Alloy Steel

Jam Nut & Lock Washer sets are available at an additional cost.

Specifications subject to change without notice.

Stud Type Track Roller Part Number	Basic Radial Dynamic Load Rating (lbs) C	Basic Radial Static Load Rating (lbs) Co	Thrust Dynamic Load Rating (lbs)	Thrust Static Load Rating (lbs)	Stud Capacity (lbs)	Retaining Ring Capacity (lbs)	Max. Clamping Torque (in-lbs)*	Seal Type	Bearing Type	Approx. Roller Weight (lbs)
CIR-3.00-R	2,651	1,394	1,101	348	1,080	550	350	Rubber Lip	DGGB	1.64
CIR-3.00E-R	3,624	2,136	1,563	534	3,020	900	2,250	Rubber Lip	DGGB	2.40
CIR-3.00-1-R	3,624	2,248	1,591	562	4,770	1,340	650	Rubber Lip	DGGB	2.37
CIR-4.00-R	3,624	2,136	1,563	534	2,960	900	2,250	Rubber Lip	DGGB	4.64
CIR-4.00E-R	5,390	3,507	2,407	877	6,450	1,340	650	Rubber Lip	DGGB	4.65
CIR-4.00-1-R	10,880	7,630	4,010	4,570	5,970	-	1,500	Rubber Dual Lip	TRB	3.98
CIR-5.00-R	5,390	3,507	2,407	877	6,540	1,340	650	Rubber Lip	DGGB	7.58
CIR-5.00E-R	14,300	20,000	5,790	12,000	10,400	-	1,500	Rubber Dual Lip	TRB	9.24
CIR-5.00E-1-R	14,300	20,000	5,790	12,000	10,800	-	1,500	Rubber Dual Lip	TRB	9.24
CIR-6.00-R	14,300	20,000	5,790	12,000	10,930	-	1,500	Rubber Dual Lip	TRB	13.40