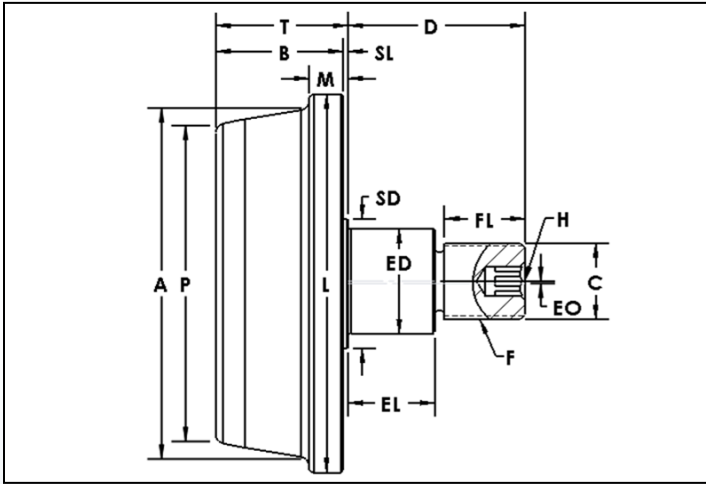


CIRE Series Track Roller Assembly

Channel & I-Beam – Stud Type Eccentric
Ball & Tapered Roller Bearings



Stud Type Track Roller Part Number	A	B	C	D	ED	EL	EO	F	FL	H	L	M	P	SD	SL	T
	Roller Dia.	Roller Width	Stud Dia. +.000 -.001	Stud Length	Ecc Dia +.000 -.002	Ecc Length	Ecc Offset	Thread Size	Thread Length	Hex Size	Flange Dia	Flange Width	Point Dia.	Shoulder Dia.	Shoulder Length	Roller Width + Shoulder Length
CIRE-3.00	2.56	1.13	0.625	1.50	0.875	0.73	0.03	5/8 - 18	0.77	5/16	2.94	0.31	2.23	1.1	0.06	1.19
CIRE-3.00E	2.56	1.63	0.875	2.00	1.187	0.98	0.03	7/8 - 14	1.02	5/16	2.94	0.62	2.17	1.5	0.06	1.69
CIRE-3.00-1	2.50	1.63	1.000	2.25	1.375	1.11	0.03	1 - 14	1.15	3/8	2.94	0.50	2.06	1.7	0.06	1.69
CIRE-4.00	3.56	1.63	0.875	2.00	1.187	0.98	0.03	7/8 - 14	1.02	5/16	3.94	0.53	3.14	1.5	0.06	1.69
CIRE-4.00E	3.56	1.63	1.000	2.25	1.375	1.11	0.03	1 - 14	1.15	3/8	3.94	0.53	3.14	1.7	0.06	1.69
CIRE-4.00-1	3.00	1.75	1.000	2.25	1.375	1.11	0.03	1 - 14	1.15	3/8	3.94	0.59	2.56	1.7	0.06	1.81
CIRE-5.00	4.56	1.63	1.000	2.25	1.375	1.11	0.03	1 - 14	1.15	3/8	4.94	0.50	4.13	1.7	0.06	1.69
CIRE-5.00E	4.56	1.94	1.250	2.50	1.750	1.23	0.06	1 1/4 - 12	1.27	1/2	4.94	0.69	4.05	2.2	0.06	2.20
CIRE-5.00E-1	4.00	1.94	1.250	2.75	1.812	1.36	0.06	1 1/4 - 12	1.40	1/2	4.94	0.59	3.31	2.2	0.06	2.00
CIRE-6.00	5.56	1.94	1.250	2.50	1.750	1.23	0.06	1 1/4 - 12	1.27	1/2	5.94	0.56	4.99	2.2	0.06	2.00

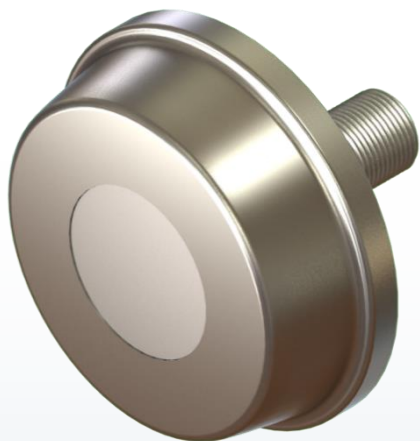
CIRE Series Track Roller Assembly

Channel & I-Beam – Stud Type Eccentric
Ball & Tapered Roller Bearings



989.358.6148

www.pcimfg.com



ADDITIONAL NOTES

*For lubricated threads, use half the maximum clamping torque value shown.

DGBB: Deep Groove Ball Bearings – Alloy Steel
TRB: Tapered Roller Bearings – Alloy Steel

Jam Nut & Lock Washer sets are available at an additional cost.

Specifications subject to change without notice.

Stud Type Track Roller Part Number	Basic Radial Dynamic Load Rating (lbs) C	Basic Radial Static Load Rating (lbs) Co	Thrust Dynamic Load Rating (lbs)	Thrust Static Load Rating (lbs)	Stud Capacity (lbs)	Retaining Ring Capacity (lbs)	Max. Clamping Torque (in-lbs)*	Seal Type	Bearing Type	Approx. Roller Weight (lbs)
CIRE-3.00	2,651	1,394	1,101	348	1,080	550	650	Rubber Lip	DGBB	1.66
CIRE-3.00E	3,624	2,136	1,563	534	3,020	900	3,450	Rubber Lip	DGBB	2.59
CIRE-3.00-1	3,624	2,248	1,591	562	4,770	1,340	5,000	Rubber Lip	DGBB	2.59
CIRE-4.00	3,624	2,136	1,563	534	2,960	900	3,450	Rubber Lip	DGBB	4.86
CIRE-4.00E	5,390	3,507	2,407	877	6,450	1,340	2,250	Rubber Lip	DGBB	4.93
CIRE-4.00-1	10,880	7,630	4,010	4,570	5,970	-	1,500	Rubber Dual Lip	TRB	4.26
CIRE-5.00	5,390	3,507	2,407	877	6,540	1,340	2,250	Rubber Lip	DGBB	7.85
CIRE-5.00E	14,300	20,000	5,790	12,000	9,680	-	1,500	Rubber Dual Lip	TRB	9.71
CIRE-5.00E-1	14,300	20,000	5,790	12,000	10,800	-	1,500	Rubber Dual Lip	TRB	9.71
CIRE-6.00	14,300	20,000	5,790	12,000	10,930	-	1,500	Rubber Dual Lip	TRB	13.46

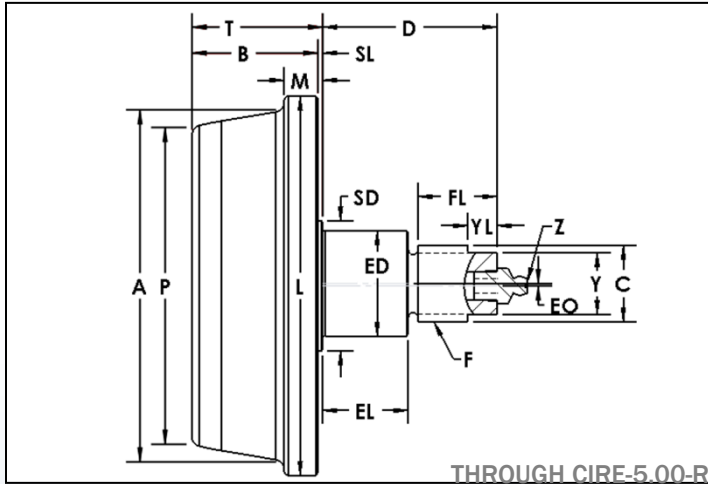
CIRE-R Series Track Roller Assembly

Channel & I-Beam – Stud Type Eccentric
Ball & Tapered Roller Bearings - Regreasable

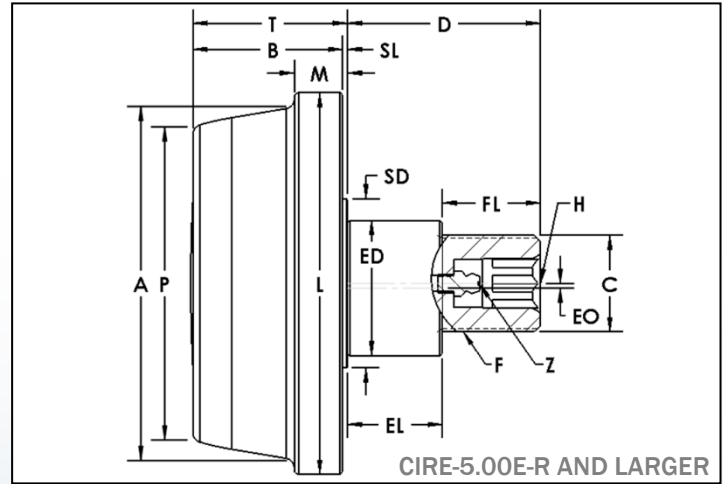


989.358.6148

www.pcimfg.com



THROUGH CIRE-5.00-R



CIRE-5.00E-R AND LARGER

Stud Type Track Roller Part Number	A	B	C	D	ED	EL	EO	F	FL	H	L	M	P	SD	SL	T	Y	YL	Z
	Roller Dia.	Roller Width	Stud Dia. +.000 -.001	Stud Length	Ecc Dia +.000 -.002	Ecc Length	Ecc Offset	Thread Size	Thread Length	Hex Size	Flange Dia	Flange Width	Point Dia.	Shld Dia.	Shld Length	Roller Width + Shoulder Length	Wrench Flat	Wrench Flat Length	Lube Size
CIRE-3.00-R	2.56	1.13	0.625	1.50	0.875	0.73	0.03	5/8 - 18	0.77	-	2.94	0.31	2.23	1.1	0.06	1.19	0.500	0.375	1/4-28 UNF
CIRE-3.00E-R	2.56	1.63	0.875	2.00	1.187	0.98	0.03	7/8 - 14	1.02	-	2.94	0.62	2.17	1.5	0.06	1.69	0.625	0.375	1/8-27 NPT
CIRE-3.00-1-R	2.50	1.63	1.000	2.25	1.375	1.11	0.03	1 - 14	1.15	-	2.94	0.50	2.06	1.7	0.06	1.69	0.875	0.375	1/8-27 NPT
CIRE-4.00-R	3.56	1.63	0.875	2.00	1.187	0.98	0.03	7/8 - 14	1.02	-	3.94	0.53	3.14	1.5	0.06	1.69	0.625	0.375	1/8-27 NPT
CIRE-4.00E-R	3.56	1.63	1.000	2.25	1.375	1.11	0.03	1 - 14	1.15	-	3.94	0.53	3.14	1.7	0.06	1.69	0.875	0.375	1/8-27 NPT
CIRE-4.00-1-R	3.00	1.75	1.000	2.25	1.375	1.11	0.03	1 - 14	1.15	-	3.94	0.59	2.56	1.7	0.06	1.81	0.875	0.375	1/8-27 NPT
CIRE-5.00-R	4.56	1.63	1.000	2.25	1.375	1.11	0.03	1 - 14	1.15	-	4.94	0.50	4.13	1.7	0.06	1.69	0.875	0.375	1/8-27 NPT
CIRE-5.00E-R	4.56	1.94	1.250	2.50	1.750	1.23	0.06	1 1/4 - 12	1.27	5/8	4.94	0.69	4.05	2.2	0.06	2.20	-	-	1/4-28 UNF
CIRE-5.00E-1-R	4.00	1.94	1.250	2.75	1.812	1.36	0.06	1 1/4 - 12	1.40	5/8	4.94	0.59	3.31	2.2	0.06	2.00	-	-	1/4-28 UNF
CIRE-6.00-R	5.56	1.94	1.250	2.50	1.750	1.23	0.06	1 1/4 - 12	1.27	5/8	5.94	0.56	4.99	2.2	0.06	2.00	-	-	1/4-28 UNF

CIRE-R Series Track Roller Assembly

Channel & I-Beam – Stud Type Eccentric
Ball & Tapered Roller Bearings - Regreasable



ADDITIONAL NOTES

*For lubricated threads, use half the maximum clamping torque value shown.

DGBB: Deep Groove Ball Bearings – Alloy Steel
TRB: Tapered Roller Bearings – Alloy Steel

Jam Nut & Lock Washer sets are available at an additional cost.

Specifications subject to change without notice.

Stud Type Track Roller Part Number	Basic Radial Dynamic Load Rating (lbs) C	Basic Radial Static Load Rating (lbs) Co	Thrust Dynamic Load Rating (lbs)	Thrust Static Load Rating (lbs)	Stud Capacity (lbs)	Retaining Ring Capacity (lbs)	Max. Clamping Torque (in-lbs)*	Seal Type	Bearing Type	Approx. Roller Weight (lbs)
CIRE-3.00-R	2,651	1,394	1,101	348	1,080	550	650	Rubber Lip	DGBB	1.66
CIRE-3.00E-R	3,624	2,136	1,563	534	3,020	900	3,450	Rubber Lip	DGBB	2.61
CIRE-3.00-1-R	3,624	2,248	1,591	562	4,770	1,340	5,000	Rubber Lip	DGBB	2.69
CIRE-4.00-R	3,624	2,136	1,563	534	2,960	900	3,450	Rubber Lip	DGBB	4.86
CIRE-4.00E-R	5,390	3,507	2,407	877	6,450	1,340	2,250	Rubber Lip	DGBB	4.93
CIRE-4.00-1-R	10,880	7,630	4,010	4,570	5,970	-	1,500	Rubber Dual Lip	TRB	4.26
CIRE-5.00-R	5,390	3,507	2,407	877	6,540	1,340	2,250	Rubber Lip	DGBB	7.85
CIRE-5.00E-R	14,300	20,000	5,790	12,000	9,680	-	1,500	Rubber Dual Lip	TRB	9.71
CIRE-5.00E-1-R	14,300	20,000	5,790	12,000	10,800	-	1,500	Rubber Dual Lip	TRB	9.71
CIRE-6.00-R	14,300	20,000	5,790	12,000	10,930	-	1,500	Rubber Dual Lip	TRB	13.39