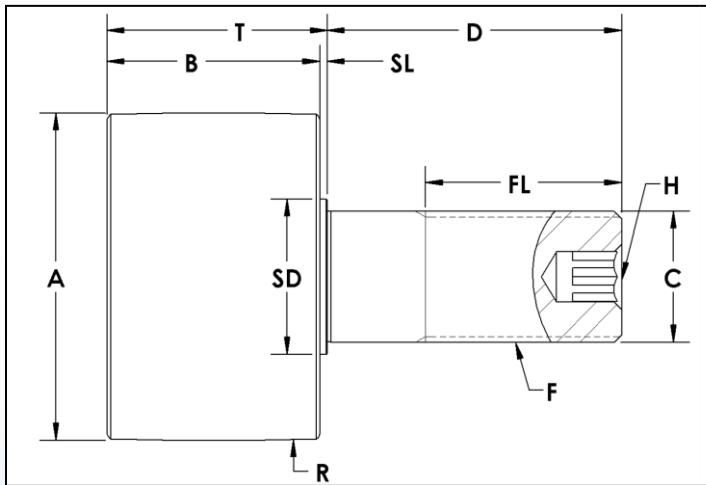


CTR Series Track Roller Assembly

Crowned/Spherical – Stud Type Concentric
Ball & Tapered Roller Bearings



Stud Type Track Roller Part Number	A Roller Dia. +0.000 -0.001	B Roller Width	C Stud Dia. +0.000 -0.001	D Stud Length	F Thread Size	FL Thread Length	H Hex Size	R Crown Radius	SD Shoulder Dia.	SL Shoulder Length	T Roller Width + Shoulder Length
CTR-1.00	1.000	0.75	0.437	1.00	7/16 - 20	0.50	3/16	12	0.5	0.03	0.78
CTR-1.125	1.125	0.75	0.437	1.00	7/16 - 20	0.50	3/16	12	0.5	0.03	0.78
CTR-1.25	1.250	0.81	0.500	1.25	1/2 - 20	0.63	3/16	14	0.6	0.03	0.84
CTR-1.375	1.375	0.81	0.500	1.25	1/2 - 20	0.63	3/16	14	0.6	0.03	0.84
CTR-1.50	1.500	1.13	0.625	1.50	5/8 - 18	0.75	5/16	20	0.8	0.06	1.19
CTR-1.75-5	1.750	1.13	0.500	0.88	1/2 - 13	0.75	-	20	.625(Hex)	0.32	1.44
CTR-1.75	1.750	1.13	0.750	1.75	3/4 - 16	0.88	5/16	20	0.9	0.06	1.19
CTR-2.00-2	2.000	1.32	0.875	2.00	7/8 - 14	1.13	5/16	24	1.0	0.06	1.38
CTR-2.00	2.000	1.63	0.875	2.00	7/8 - 14	1.13	5/16	24	1.0	0.06	1.69
CTR-2.25	2.250	1.63	0.875	2.00	7/8 - 14	1.13	5/16	24	1.0	0.06	1.69
CTR-2.50	2.500	1.63	1.000	2.25	1 - 14	1.50	3/8	30	1.2	0.06	1.69
CTR-2.50-10	2.500	1.63	1.000	2.25	1 - 14	1.50	3/8	30	1.2	0.19	1.81
CTR-2.50E	2.500	1.75	1.000	2.25	1 - 14	1.50	3/8	30	1.3	0.06	1.81
CTR-2.75	2.750	1.63	1.000	2.25	1 - 14	1.50	3/8	30	1.2	0.06	1.69
CTR-2.75E	2.750	1.75	1.000	2.25	1 - 14	1.50	3/8	30	1.3	0.06	1.81
CTR-3.00A	3.000	1.94	1.250	2.50	1 1/4 - 12	1.75	1/2	30	1.5	0.06	2.00
CTR-3.00	3.000	1.94	1.250	2.50	1 1/4 - 12	1.75	1/2	30	1.8	0.06	2.00
CTR-3.25A	3.250	1.94	1.250	2.50	1 1/4 - 12	1.75	1/2	30	1.5	0.06	2.00
CTR-3.25	3.250	1.94	1.250	2.50	1 1/4 - 12	1.75	1/2	30	1.8	0.06	2.00
CTR-3.50A	3.500	1.94	1.250	2.75	1 1/4 - 12	1.75	1/2	30	1.5	0.06	2.00
CTR-3.50	3.500	1.94	1.250	2.75	1 1/4 - 12	1.75	1/2	30	1.8	0.06	2.00
CTR-4.00A	4.000	1.94	1.250	2.75	1 1/4 - 12	1.75	1/2	30	1.5	0.06	2.00
CTR-4.00	4.000	1.94	1.250	2.75	1 1/4 - 12	1.75	1/2	30	1.8	0.06	2.00
CTR-4.50	4.500	1.94	1.250	2.75	1 1/4 - 12	1.75	1/2	30	1.8	0.06	2.00
CTR-5.00	5.000	2.94	2.000	4.50	2 - 12	2.50	5/8	48	3.0	0.06	3.00
CTR-6.00	6.000	2.94	2.500	5.50	2 1/2 - 12	3.25	5/8	56	3.5	0.06	3.00
CTR-7.00	7.000	2.94	2.500	5.50	2 1/2 - 12	3.25	5/8	56	3.5	0.06	3.00
CTR-8.00	8.000	2.94	2.500	5.50	2 1/2 - 12	3.25	5/8	56	3.5	0.06	3.00
CTR-10.00	10.000	2.94	2.500	5.50	2 1/2 - 12	3.25	5/8	56	3.5	0.06	3.00
CTR-10.00-8	10.000	4.87	4.250	9.00	3 1/2 - 4	4.00	5/8	40	5.0	0.13	5.00

CTR Series Track Roller Assembly

Crowned/Spherical – Stud Type Concentric
Ball & Tapered Roller Bearings



ADDITIONAL NOTES

*For lubricated threads, use half the maximum clamping torque value shown.

DGBB: Deep Groove Ball Bearings – Alloy Steel
TRB: Tapered Roller Bearings – Alloy Steel

Jam Nut & Lock Washer sets are available at an additional cost.

Specifications subject to change without notice.

Stud Type Track Roller Part Number	Basic Radial Dynamic Load Rating (lbs) C	Basic Radial Static Load Rating (lbs) Co	Thrust Dynamic Load Rating (lbs)	Thrust Static Load Rating (lbs)	Stud Capacity (lbs)	Retaining Ring Capacity (lbs)	Max. Clamping Torque (in-lbs)*	Seal Type	Bearing Type	Approx. Roller Weight (lbs)
CTR-1.00	956	480	331	60	530	470	180	Rubber Lip	DGBB	0.17
CTR-1.125	956	480	331	60	530	470	180	Rubber Lip	DGBB	0.21
CTR-1.25	1,231	640	430	80	930	470	180	Rubber Lip	DGBB	0.28
CTR-1.375	1,231	640	430	80	930	470	180	Rubber Lip	DGBB	0.34
CTR-1.50	2,651	1,394	1,101	348	1,670	550	350	Rubber Lip	DGBB	0.54
CTR-1.75-5	2,651	1,394	1,101	348	1,240	550	650	Rubber Lip	DGBB	0.84
CTR-1.75	2,651	1,394	1,101	348	1,670	550	650	Rubber Lip	DGBB	0.84
CTR-2.00-2	3,624	2,136	1,563	534	3,710	900	650	Rubber Lip	DGBB	1.44
CTR-2.00	3,624	2,136	1,563	534	4,660	900	650	Rubber Lip	DGBB	1.44
CTR-2.25	3,624	2,136	1,563	534	4,660	900	650	Rubber Lip	DGBB	1.76
CTR-2.50	5,390	3,507	2,407	877	8,470	1,340	650	Rubber Lip	DGBB	2.21
CTR-2.50-10	5,390	3,507	2,407	877	7,910	1,340	650	Rubber Lip	DGBB	2.21
CTR-2.50E	10,880	7,630	4,010	4,570	7,910	-	1,500	Rubber Dual Lip	TRB	2.38
CTR-2.75	5,390	3,507	2,407	877	8,470	1,340	650	Rubber Lip	DGBB	2.67
CTR-2.75E	10,880	7,630	4,010	4,570	7,910	-	1,500	Rubber Dual Lip	TRB	2.85
CTR-3.00A	7,393	5,036	3,358	1,259	13,980	1,950	1,500	Rubber Lip	DGBB	3.87
CTR-3.00	14,300	20,000	5,790	12,000	13,980	-	1,500	Rubber Dual Lip	TRB	4.06
CTR-3.25A	7,393	5,036	3,358	1,259	13,980	1,950	1,500	Rubber Lip	DGBB	4.53
CTR-3.25	14,300	20,000	5,790	12,000	13,980	-	1,500	Rubber Dual Lip	TRB	4.72
CTR-3.50A	7,393	5,036	3,358	1,259	13,980	1,950	1,500	Rubber Lip	DGBB	5.33
CTR-3.50	14,300	20,000	5,790	12,000	13,980	-	1,500	Rubber Dual Lip	TRB	5.52
CTR-4.00A	7,393	5,036	3,358	1,259	13,980	1,950	1,500	Rubber Lip	DGBB	6.91
CTR-4.00	14,300	20,000	5,790	12,000	13,980	-	1,500	Rubber Dual Lip	TRB	7.11
CTR-4.50	14,300	20,000	5,790	12,000	13,980	-	1,500	Rubber Dual Lip	TRB	8.91
CTR-5.00	35,870	58,400	13,310	32,100	38,190	-	1,500	Rubber Dual Lip	TRB	18.18
CTR-6.00	35,830	56,200	14,150	32,900	74,580	-	1,500	Rubber Dual Lip	TRB	27.86
CTR-7.00	35,830	56,200	14,150	32,900	74,580	-	1,500	Rubber Dual Lip	TRB	35.11
CTR-8.00	35,830	56,200	14,150	32,900	74,580	-	1,500	Rubber Dual Lip	TRB	45.72
CTR-10.00	35,830	56,200	14,150	32,900	74,580	-	1,500	Rubber Dual Lip	TRB	68.82
CTR-10.00-8	83,700	159,800	39,000	110,000	219,860	-	1,500	Rubber Lip	TRB	126.55

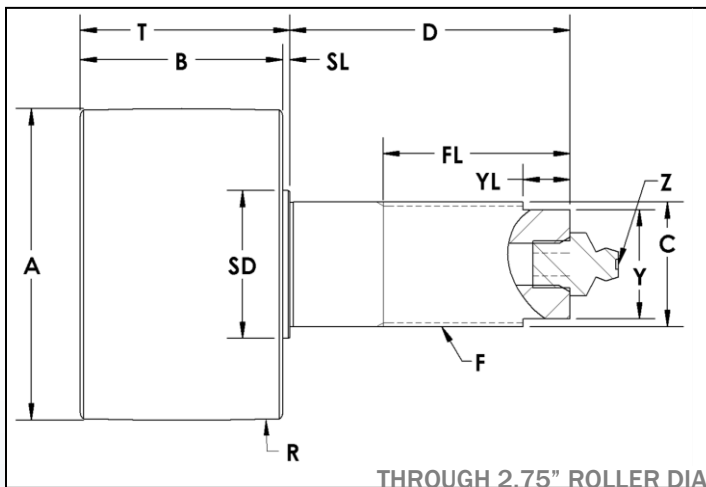
CTR-R Series Track Roller Assembly

Crowned/Spherical – Stud Type Concentric
Ball & Tapered Roller Bearings - Regreasable

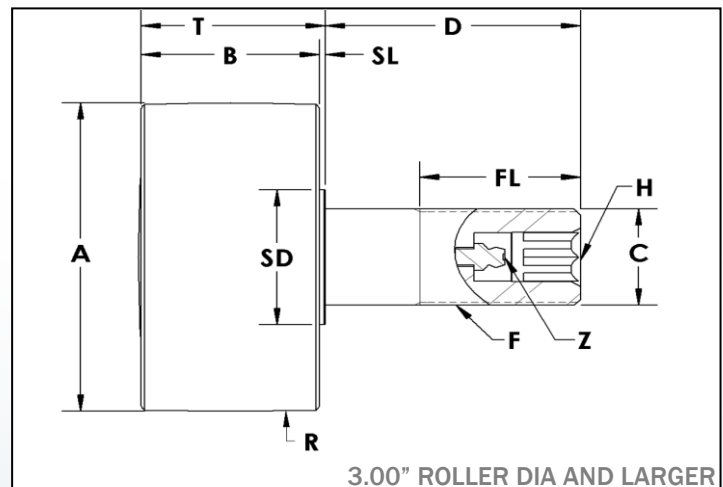


989.358.6148

www.pcimfg.com



THROUGH 2.75" ROLLER DIA



3.00" ROLLER DIA AND LARGER

Stud Type Track Roller Part Number	A	B	C	D	F	FL	H	R	SD	SL	T	Y	YL	Z
	Roller Dia. +.000 -.001	Roller Width	Stud Dia. +.000 -.001	Stud Length	Thread Size	Thread Length	Hex Size	Crown Radius	Shoulder Dia.	Shoulder Length	Roller Width + Shoulder Length	Wrench Flat	Wrench Flat Length	Lube Size
CTR-1.00-R	1.000	0.75	0.437	1.00	7/16 - 20	0.50	-	12	0.5	0.03	0.78	0.312	0.250	1/8 Drive
CTR-1.125-R	1.125	0.75	0.437	1.00	7/16 - 20	0.50	-	12	0.5	0.03	0.78	0.312	0.250	1/8 Drive
CTR-1.25-R	1.250	0.81	0.500	1.25	1/2 - 20	0.63	-	14	0.6	0.03	0.84	0.375	0.250	1/8 Drive
CTR-1.375-R	1.375	0.81	0.500	1.25	1/2 - 20	0.63	-	14	0.6	0.03	0.84	0.375	0.250	1/8 Drive
CTR-1.50-R	1.500	1.13	0.625	1.50	5/8 - 18	0.75	-	20	0.8	0.06	1.19	0.500	0.375	1/4-28 UNF
CTR-1.75-5-R	1.750	1.13	0.500	0.88	1/2 - 13	0.75	-	20	.625(HEx)	0.32	1.44	0.375	0.250	1/8 Drive
CTR-1.75-R	1.750	1.13	0.750	1.75	3/4 - 16	0.88	-	20	0.9	0.06	1.19	0.625	0.375	1/8-27 NPT
CTR-2.00-2-R	2.000	1.32	0.875	2.00	7/8 - 14	1.13	-	24	1.0	0.06	1.38	0.625	0.375	1/8-27 NPT
CTR-2.00-R	2.000	1.63	0.875	2.00	7/8 - 14	1.13	-	24	1.0	0.06	1.69	0.625	0.375	1/8-27 NPT
CTR-2.25-R	2.250	1.63	0.875	2.00	7/8 - 14	1.13	-	24	1.0	0.06	1.69	0.625	0.375	1/8-27 NPT
CTR-2.50-R	2.500	1.63	1.000	2.25	1 - 14	1.50	-	30	1.2	0.06	1.69	0.875	0.375	1/8-27 NPT
CTR-2.50-10-R	2.500	1.63	1.000	2.25	1 - 14	1.50	-	30	1.2	0.19	1.81	0.875	0.375	1/8-27 NPT
CTR-2.50E-R	2.500	1.75	1.000	2.25	1 - 14	1.50	-	30	1.3	0.06	1.81	0.875	0.375	1/8-27 NPT
CTR-2.75-R	2.750	1.63	1.000	2.25	1 - 14	1.50	-	30	1.2	0.06	1.69	0.875	0.375	1/8-27 NPT
CTR-2.75E-R	2.750	1.75	1.000	2.25	1 - 14	1.50	-	30	1.3	0.06	1.81	0.875	0.375	1/8-27 NPT
CTR-3.00A-R	3.000	1.94	1.250	2.50	1 1/4 - 12	1.75	5/8	30	1.5	0.06	2.00	-	-	1/4-28 UNF
CTR-3.00-R	3.000	1.94	1.250	2.50	1 1/4 - 12	1.75	5/8	30	1.8	0.06	2.00	-	-	1/4-28 UNF
CTR-3.25A-R	3.250	1.94	1.250	2.50	1 1/4 - 12	1.75	5/8	30	1.5	0.06	2.00	-	-	1/4-28 UNF
CTR-3.25-R	3.250	1.94	1.250	2.50	1 1/4 - 12	1.75	5/8	30	1.8	0.06	2.00	-	-	1/4-28 UNF
CTR-3.50A-R	3.500	1.94	1.250	2.75	1 1/4 - 12	1.75	5/8	30	1.5	0.06	2.00	-	-	1/4-28 UNF
CTR-3.50-R	3.500	1.94	1.250	2.75	1 1/4 - 12	1.75	5/8	30	1.8	0.06	2.00	-	-	1/4-28 UNF
CTR-4.00A-R	4.000	1.94	1.250	2.75	1 1/4 - 12	1.75	5/8	30	1.5	0.06	2.00	-	-	1/4-28 UNF
CTR-4.00-R	4.000	1.94	1.250	2.75	1 1/4 - 12	1.75	5/8	30	1.8	0.06	2.00	-	-	1/4-28 UNF
CTR-4.50-R	4.500	1.94	1.250	2.75	1 1/4 - 12	1.75	5/8	30	1.8	0.06	2.00	-	-	1/4-28 UNF
CTR-5.00-R	5.000	2.94	2.000	4.50	2 - 12	2.50	5/8	48	3.0	0.06	3.00	-	-	1/4-28 UNF
CTR-6.00-R	6.000	2.94	2.500	5.50	2 1/2 - 12	3.25	5/8	56	3.5	0.06	3.00	-	-	1/4-28 UNF
CTR-7.00-R	7.000	2.94	2.500	5.50	2 1/2 - 12	3.25	5/8	56	3.5	0.06	3.00	-	-	1/4-28 UNF
CTR-8.00-R	8.000	2.94	2.500	5.50	2 1/2 - 12	3.25	5/8	56	3.5	0.06	3.00	-	-	1/4-28 UNF
CTR-10.00-R	10.000	2.94	2.500	5.50	2 1/2 - 12	3.25	5/8	56	3.5	0.06	3.00	-	-	1/4-28 UNF

CTR-R Series Track Roller Assembly

Crowned/Spherical – Stud Type Concentric
Ball & Tapered Roller Bearings - Regreasable



ADDITIONAL NOTES

*For lubricated threads, use half the maximum clamping torque value shown.

DGGB: Deep Groove Ball Bearings – Alloy Steel
TRB: Tapered Roller Bearings – Alloy Steel

Jam Nut & Lock Washer sets are available at an additional cost.

Specifications subject to change without notice.

Stud Type Track Roller Part Number	Basic Radial Dynamic Load Rating (lbs) C	Basic Radial Static Load Rating (lbs) Co	Thrust Dynamic Load Rating (lbs)	Thrust Static Load Rating (lbs)	Stud Capacity (lbs)	Retaining Ring Capacity (lbs)	Max. Clamping Torque (in-lbs)*	Seal Type	Bearing Type	Approx. Roller Weight (lbs)
CTR-1.00-R	956	480	331	60	530	470	180	Rubber Lip	DGGB	0.17
CTR-1.125-R	956	480	331	60	530	470	180	Rubber Lip	DGGB	0.21
CTR-1.25-R	1,231	640	430	80	930	470	180	Rubber Lip	DGGB	0.28
CTR-1.375-R	1,231	640	430	80	930	470	180	Rubber Lip	DGGB	0.34
CTR-1.50-R	2,651	1,394	1,101	348	1,680	550	350	Rubber Lip	DGGB	0.54
CTR-1.75-5-R	2,651	1,394	1,101	348	1,240	550	650	Rubber Lip	DGGB	0.84
CTR-1.75-R	2,651	1,394	1,101	348	1,670	550	650	Rubber Lip	DGGB	0.84
CTR-2.00-2-R	3,624	2,136	1,563	534	3,710	900	650	Rubber Lip	DGGB	1.44
CTR-2.00-R	3,624	2,136	1,563	534	4,660	900	650	Rubber Lip	DGGB	1.44
CTR-2.25-R	3,624	2,136	1,563	534	4,660	900	650	Rubber Lip	DGGB	1.76
CTR-2.50-R	5,390	3,507	2,407	877	8,470	1,340	650	Rubber Lip	DGGB	2.21
CTR-2.50-10-R	5,390	3,507	2,407	877	7,910	1,340	650	Rubber Lip	DGGB	2.21
CTR-2.50E-R	10,880	7,630	4,010	4,570	7,910	-	1,500	Rubber Dual Lip	TRB	2.38
CTR-2.75-R	5,390	3,507	2,407	877	8,470	1,340	650	Rubber Lip	DGGB	2.67
CTR-2.75E-R	10,880	7,630	4,010	4,570	7,910	-	1,500	Rubber Dual Lip	TRB	2.85
CTR-3.00A-R	7,393	5,036	3,358	1,259	13,980	1,950	1,500	Rubber Lip	DGGB	3.87
CTR-3.00-R	14,300	20,000	5,790	12,000	13,980	-	1,500	Rubber Dual Lip	TRB	4.06
CTR-3.25A-R	7,393	5,036	3,358	1,259	13,980	1,950	1,500	Rubber Lip	DGGB	4.53
CTR-3.25-R	14,300	20,000	5,790	12,000	13,980	-	1,500	Rubber Dual Lip	TRB	4.72
CTR-3.50A-R	7,393	5,036	3,358	1,259	13,980	1,950	1,500	Rubber Lip	DGGB	5.33
CTR-3.50-R	14,300	20,000	5,790	12,000	13,980	-	1,500	Rubber Dual Lip	TRB	5.52
CTR-4.00A-R	7,393	5,036	3,358	1,259	13,980	1,950	1,500	Rubber Lip	DGGB	6.91
CTR-4.00-R	14,300	20,000	5,790	12,000	13,980	-	1,500	Rubber Dual Lip	TRB	7.11
CTR-4.50-R	14,300	20,000	5,790	12,000	13,980	-	1,500	Rubber Dual Lip	TRB	8.91
CTR-5.00-R	35,870	58,400	13,310	32,100	38,190	-	1,500	Rubber Dual Lip	TRB	18.18
CTR-6.00-R	35,830	56,200	14,150	32,900	74,580	-	1,500	Rubber Dual Lip	TRB	27.86
CTR-7.00-R	35,830	56,200	14,150	32,900	74,580	-	1,500	Rubber Dual Lip	TRB	35.11
CTR-8.00-R	35,830	56,200	14,150	32,900	74,580	-	1,500	Rubber Dual Lip	TRB	45.72
CTR-10.00-R	35,830	56,200	14,150	32,900	74,580	-	1,500	Rubber Dual Lip	TRB	68.82