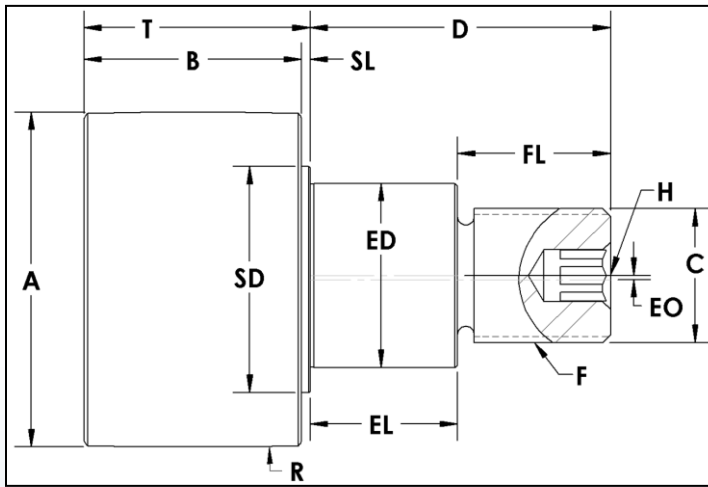


# CTRE Series Track Roller Assembly

Crowned/Spherical – Stud Type Eccentric  
Ball & Tapered Roller Bearings



Stud Type Track Roller Part Number	A Roller Dia. +0.000 -0.001	B Roller Width	C Stud Dia.	D Stud Length	ED Ecc Dia. +0.000 -0.002	EL Ecc Length	EO Ecc Offset	F Thread Size	FL Thread Length	H Hex Size	R Crown Radius	SD Shld Dia.	SL Shoulder Length	T Roller Width + Shoulder Length
CTRE-1.00	1.000	0.75	0.437	1.00	0.625	0.48	0.03	7/16 - 20	0.52	3/16	12	0.7	0.03	0.78
CTRE-1.125	1.125	0.75	0.437	1.00	0.625	0.48	0.03	7/16 - 20	0.52	3/16	12	0.7	0.03	0.78
CTRE-1.25	1.250	0.81	0.500	1.25	0.687	0.61	0.03	1/2 - 20	0.65	3/16	14	0.8	0.03	0.84
CTRE-1.375	1.375	0.81	0.500	1.25	0.687	0.61	0.03	1/2 - 20	0.65	3/16	14	0.8	0.03	0.84
CTRE-1.50	1.500	1.13	0.625	1.50	0.875	0.73	0.03	5/8 - 18	0.77	5/16	20	1.1	0.06	1.19
CTRE-1.75	1.750	1.13	0.750	1.75	1.000	0.86	0.03	3/4 - 16	0.90	5/16	20	1.3	0.06	1.19
CTRE-2.00-2	2.000	1.32	0.875	2.00	1.187	0.98	0.03	7/8 - 14	1.02	5/16	24	1.5	0.06	1.38
CTRE-2.00	2.000	1.63	0.875	2.00	1.187	0.98	0.03	7/8 - 14	1.02	5/16	24	1.5	0.06	1.69
CTRE-2.25	2.250	1.63	0.875	2.00	1.187	0.98	0.03	7/8 - 14	1.02	5/16	24	1.5	0.06	1.69
CTRE-2.50	2.500	1.63	1.000	2.25	1.375	1.11	0.03	1 - 14	1.15	3/8	30	1.7	0.06	1.69
CTRE-2.50-10	2.500	1.63	1.000	2.25	1.375	1.11	0.03	1 - 14	1.15	3/8	30	1.7	0.19	1.81
CTRE-2.50E	2.500	1.75	1.000	2.25	1.375	1.11	0.03	1 - 14	1.15	3/8	30	1.7	0.06	1.81
CTRE-2.75	2.750	1.63	1.000	2.25	1.375	1.11	0.03	1 - 14	1.15	3/8	30	1.7	0.06	1.69
CTRE-2.75E	2.750	1.75	1.000	2.25	1.375	1.11	0.03	1 - 14	1.15	3/8	30	1.7	0.06	1.81
CTRE-3.00A	3.000	1.94	1.250	2.50	1.750	1.23	0.06	1 1/4 - 12	1.27	1/2	30	2.2	0.06	2.00
CTRE-3.00	3.000	1.94	1.250	2.50	1.750	1.23	0.06	1 1/4 - 12	1.27	1/2	30	2.2	0.06	2.00
CTRE-3.25A	3.250	1.94	1.250	2.50	1.750	1.23	0.06	1 1/4 - 12	1.27	1/2	30	2.2	0.06	2.00
CTRE-3.25	3.250	1.94	1.250	2.50	1.750	1.23	0.06	1 1/4 - 12	1.27	1/2	30	2.2	0.06	2.00
CTRE-3.50A	3.500	1.94	1.250	2.75	1.812	1.36	0.06	1 1/4 - 12	1.40	1/2	30	2.2	0.06	2.00
CTRE-3.50	3.500	1.94	1.250	2.75	1.812	1.36	0.06	1 1/4 - 12	1.40	1/2	30	2.2	0.06	2.00
CTRE-4.00A	4.000	1.94	1.250	2.75	1.812	1.36	0.06	1 1/4 - 12	1.40	1/2	30	2.2	0.06	2.00
CTRE-4.00	4.000	1.94	1.250	2.75	1.812	1.36	0.06	1 1/4 - 12	1.40	1/2	30	2.2	0.06	2.00
CTRE-4.50	4.500	1.94	1.250	2.75	1.812	1.36	0.06	1 1/4 - 12	1.40	1/2	30	2.2	0.06	2.00
CTRE-5.00	5.000	2.94	2.000	4.50	2.625	2.13	0.06	2 - 12	2.38	5/8	48	3.3	0.06	3.00
CTRE-6.00	6.000	2.94	2.500	5.50	3.125	2.88	0.06	2 1/2 - 12	2.63	5/8	56	3.6	0.06	3.00

# CTRE Series Track Roller Assembly

Crowned/Spherical – Stud Type Eccentric  
Ball & Tapered Roller Bearings



## ADDITIONAL NOTES

\*For lubricated threads, use half the maximum clamping torque value shown.

DGBB: Deep Groove Ball Bearings – Alloy Steel  
TRB: Tapered Roller Bearings – Alloy Steel

Jam Nut & Lock Washer sets are available at an additional cost.

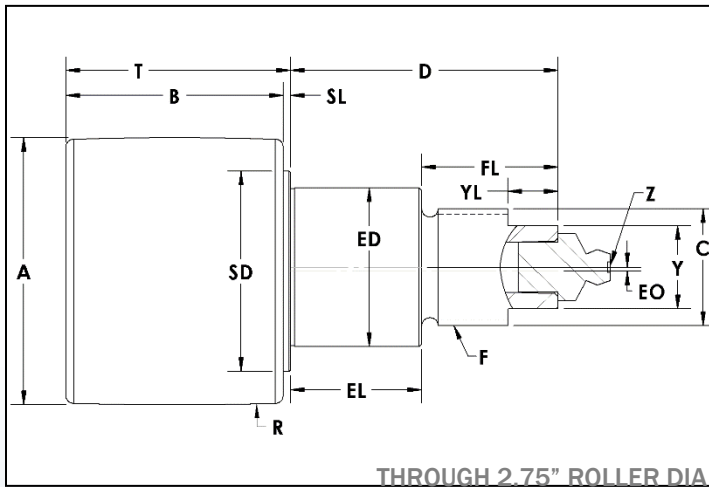
Specifications subject to change without notice.

Stud Type Track Roller Part Number	Basic Radial Dynamic Load Rating (lbs) C	Basic Radial Static Load Rating (lbs) Co	Thrust Dynamic Load Rating (lbs)	Thrust Static Load Rating (lbs)	Stud Capacity (lbs)	Retaining Ring Capacity (lbs)	Max. Clamping Torque (in-lbs)*	Seal Type	Bearing Type	Approx. Roller Weight (lbs)
CTRE-1.00	956	480	331	60	530	470	250	Rubber Lip	DGBB	0.20
CTRE-1.125	956	480	331	60	530	470	250	Rubber Lip	DGBB	0.24
CTRE-1.25	1,231	640	430	80	940	470	250	Rubber Lip	DGBB	0.31
CTRE-1.375	1,231	640	430	80	940	470	250	Rubber Lip	DGBB	0.37
CTRE-1.50	2,651	1,394	1,101	348	1,680	550	650	Rubber Lip	DGBB	0.63
CTRE-1.75	2,651	1,394	1,101	348	1,680	550	650	Rubber Lip	DGBB	0.95
CTRE-2.00-2	3,624	2,136	1,563	534	3,710	900	650	Rubber Lip	DGBB	1.62
CTRE-2.00	3,624	2,136	1,563	534	4,660	900	650	Rubber Lip	DGBB	1.62
CTRE-2.25	3,624	2,136	1,563	534	4,660	900	650	Rubber Lip	DGBB	2.00
CTRE-2.50	5,390	3,507	2,407	877	8,470	1,340	650	Rubber Lip	DGBB	2.47
CTRE-2.50-10	5,390	3,507	2,407	877	7,910	1,340	650	Rubber Lip	DGBB	2.47
CTRE-2.50E	10,880	7,630	4,010	4,570	7,910	-	1,500	Rubber Dual Lip	TRB	2.65
CTRE-2.75	5,390	3,507	2,407	877	8,470	1,340	650	Rubber Lip	DGBB	2.93
CTRE-2.75E	10,880	7,630	4,010	4,570	7,910	-	1,500	Rubber Dual Lip	TRB	3.02
CTRE-3.00A	7,393	5,036	3,358	1,259	13,980	1,950	1,500	Rubber Lip	DGBB	4.51
CTRE-3.00	14,300	20,000	5,790	12,000	13,980	-	1,500	Rubber Dual Lip	TRB	4.54
CTRE-3.25A	7,393	5,036	3,358	1,259	13,980	1,950	1,500	Rubber Lip	DGBB	5.17
CTRE-3.25	14,300	20,000	5,790	12,000	13,980	-	1,500	Rubber Dual Lip	TRB	5.20
CTRE-3.50A	7,393	5,036	3,358	1,259	13,980	1,950	1,500	Rubber Lip	DGBB	6.07
CTRE-3.50	14,300	20,000	5,790	12,000	13,980	-	1,500	Rubber Dual Lip	TRB	6.11
CTRE-4.00A	7,393	5,036	3,358	1,259	13,980	1,950	1,500	Rubber Lip	DGBB	7.66
CTRE-4.00	14,300	20,000	5,790	12,000	13,980	-	1,500	Rubber Dual Lip	TRB	7.69
CTRE-4.50	14,300	20,000	5,790	12,000	13,980	-	1,500	Rubber Dual Lip	TRB	9.49
CTRE-5.00	35,870	58,400	13,310	32,100	38,190	-	1,500	Rubber Dual Lip	TRB	19.59
CTRE-6.00	35,830	56,200	14,150	32,900	74,580	-	1,500	Rubber Dual Lip	TRB	30.13

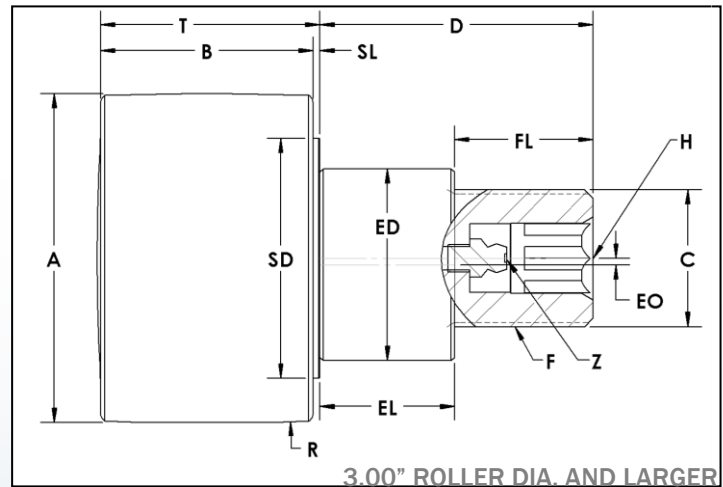
# CTRE-R Series Track Roller Assembly

Crowned/Spherical – Stud Type Eccentric  
Ball & Tapered Roller Bearings - Regreasable

**PCT**<sup>®</sup>  
989.358.6148  
www.pcimfg.com



THROUGH 2.75" ROLLER DIA



3.00" ROLLER DIA. AND LARGER

Stud Type Track Roller Part Number	A	B	C	D	ED	EL	EO	F	FL	H	R	SD	SL	T	Y	YL	Z
	Roller Dia. +0.000 -0.001	Roller Width	Stud Dia.	Stud Length	Ecc Dia +0.000 -0.002	Ecc Length	Ecc Offset	Thread Size	Thread Length	Hex Size	Crown Radius	Shld Dia.	Shoulder Length	Roller Width + Shoulder Length	Wrench Flat	Wrench Flat Length	Lube Size
CTRE-1.00-R	1.000	0.75	0.437	1.00	0.625	0.48	0.03	7/16 - 20	0.52	-	12	0.7	0.03	0.78	0.312	0.250	1/8 Drive
CTRE-1.125-R	1.125	0.75	0.437	1.00	0.625	0.48	0.03	7/16 - 20	0.52	-	12	0.7	0.03	0.78	0.312	0.250	1/8 Drive
CTRE-1.25-R	1.250	0.81	0.500	1.25	0.687	0.61	0.03	1/2 - 20	0.65	-	14	0.8	0.03	0.84	0.375	0.250	1/8 Drive
CTRE-1.375-R	1.375	0.81	0.500	1.25	0.687	0.61	0.03	1/2 - 20	0.65	-	14	0.8	0.03	0.84	0.375	0.250	1/8 Drive
CTRE-1.50-R	1.500	1.13	0.625	1.50	0.875	0.73	0.03	5/8 - 18	0.77	-	20	1.1	0.06	1.19	0.500	0.375	1/4-28 UNF
CTRE-1.75-R	1.750	1.13	0.750	1.75	1.000	0.86	0.03	3/4 - 16	0.90	-	20	1.3	0.06	1.19	0.625	0.375	1/8-27 NPT
CTRE-2.00-2-R	2.000	1.32	0.875	2.00	1.187	0.98	0.03	7/8 - 14	1.02	-	24	1.5	0.06	1.38	0.625	0.375	1/8-27 NPT
CTRE-2.00-R	2.000	1.63	0.875	2.00	1.187	0.98	0.03	7/8 - 14	1.02	-	24	1.5	0.06	1.69	0.625	0.375	1/8-27 NPT
CTRE-2.25-R	2.250	1.63	0.875	2.00	1.187	0.98	0.03	7/8 - 14	1.02	-	24	1.5	0.06	1.69	0.625	0.375	1/8-27 NPT
CTRE-2.50-R	2.500	1.63	1.000	2.25	1.375	1.11	0.03	1 - 14	1.15	-	30	1.7	0.06	1.69	0.875	0.375	1/8-27 NPT
CTRE-2.50-10-R	2.500	1.63	1.000	2.25	1.375	1.11	0.03	1 - 14	1.15	-	30	1.7	0.19	1.81	0.875	0.375	1/8-27 NPT
CTRE-2.50E-R	2.500	1.75	1.000	2.25	1.375	1.11	0.03	1 - 14	1.15	-	30	1.7	0.06	1.81	0.875	0.375	1/8-27 NPT
CTRE-2.75-R	2.750	1.63	1.000	2.25	1.375	1.11	0.03	1 - 14	1.15	-	30	1.7	0.06	1.69	0.875	0.375	1/8-27 NPT
CTRE-2.75E-R	2.750	1.75	1.000	2.25	1.375	1.11	0.03	1 - 14	1.15	-	30	1.7	0.06	1.81	0.875	0.375	1/8-27 NPT
CTRE-3.00A-R	3.000	1.94	1.250	2.50	1.750	1.23	0.06	1 1/4 - 12	1.27	5/8	30	2.2	0.06	2.00	-	-	1/4-28 UNF
CTRE-3.00-R	3.000	1.94	1.250	2.50	1.750	1.23	0.06	1 1/4 - 12	1.27	5/8	30	2.2	0.06	2.00	-	-	1/4-28 UNF
CTRE-3.25A-R	3.250	1.94	1.250	2.50	1.750	1.23	0.06	1 1/4 - 12	1.27	5/8	30	2.2	0.06	2.00	-	-	1/4-28 UNF
CTRE-3.25-R	3.250	1.94	1.250	2.50	1.750	1.23	0.06	1 1/4 - 12	1.27	5/8	30	2.2	0.06	2.00	-	-	1/4-28 UNF
CTRE-3.50A-R	3.500	1.94	1.250	2.75	1.812	1.36	0.06	1 1/4 - 12	1.40	5/8	30	2.2	0.06	2.00	-	-	1/4-28 UNF
CTRE-3.50-R	3.500	1.94	1.250	2.75	1.812	1.36	0.06	1 1/4 - 12	1.40	5/8	30	2.2	0.06	2.00	-	-	1/4-28 UNF
CTRE-4.00A-R	4.000	1.94	1.250	2.75	1.812	1.36	0.06	1 1/4 - 12	1.40	5/8	30	2.2	0.06	2.00	-	-	1/4-28 UNF
CTRE-4.00-R	4.000	1.94	1.250	2.75	1.812	1.36	0.06	1 1/4 - 12	1.40	5/8	30	2.2	0.06	2.00	-	-	1/4-28 UNF
CTRE-4.50-R	4.500	1.94	1.250	2.75	1.812	1.36	0.06	1 1/4 - 12	1.40	5/8	30	2.2	0.06	2.00	-	-	1/4-28 UNF
CTRE-5.00-R	5.000	2.94	2.000	4.50	2.625	2.13	0.06	2 - 12	2.38	5/8	48	3.3	0.06	3.00	-	-	1/4-28 UNF
CTRE-6.00-R	6.000	2.94	2.500	5.50	3.125	2.88	0.06	2 1/2 - 12	2.63	5/8	56	3.6	0.06	3.00	-	-	1/4-28 UNF

# CTRE-R Series Track Roller Assembly

Crowned/Spherical – Stud Type Eccentric  
Ball & Tapered Roller Bearings - Regreasable



## ADDITIONAL NOTES

\*For lubricated threads, use half the maximum clamping torque value shown.

DGBB: Deep Groove Ball Bearings – Alloy Steel  
TRB: Tapered Roller Bearings – Alloy Steel

Jam Nut & Lock Washer sets are available at an additional cost.

Specifications subject to change without notice.

Stud Type Track Roller Part Number	Basic Radial Dynamic Load Rating (lbs) C	Basic Radial Static Load Rating (lbs) Co	Thrust Dynamic Load Rating (lbs)	Thrust Static Load Rating (lbs)	Stud Capacity (lbs)	Retaining Ring Capacity (lbs)	Max. Clamping Torque (in-lbs)*	Seal Type	Bearing Type	Approx. Roller Weight (lbs)
CTRE-1.00-R	956	480	331	60	530	470	250	Rubber Lip	DGBB	0.20
CTRE-1.125-R	956	480	331	60	530	470	250	Rubber Lip	DGBB	0.24
CTRE-1.25-R	1,231	640	430	80	940	470	250	Rubber Lip	DGBB	0.31
CTRE-1.375-R	1,231	640	430	80	940	470	250	Rubber Lip	DGBB	0.37
CTRE-1.50-R	2,651	1,394	1,101	348	1,680	550	650	Rubber Lip	DGBB	0.63
CTRE-1.75-R	2,651	1,394	1,101	348	1,680	550	650	Rubber Lip	DGBB	0.95
CTRE-2.00-2-R	3,624	2,136	1,563	534	3,710	900	650	Rubber Lip	DGBB	1.62
CTRE-2.00-R	3,624	2,136	1,563	534	4,660	900	650	Rubber Lip	DGBB	1.62
CTRE-2.25-R	3,624	2,136	1,563	534	4,660	900	650	Rubber Lip	DGBB	2.00
CTRE-2.50-R	5,390	3,507	2,407	877	8,470	1,340	650	Rubber Lip	DGBB	2.47
CTRE-2.50-10-R	5,390	3,507	2,407	877	7,910	1,340	650	Rubber Lip	DGBB	2.47
CTRE-2.50E-R	10,880	7,630	4,010	4,570	7,910	-	1,500	Rubber Dual Lip	TRB	2.65
CTRE-2.75-R	5,390	3,507	2,407	877	8,470	1,340	650	Rubber Lip	DGBB	2.93
CTRE-2.75E-R	10,880	7,630	4,010	4,570	7,910	-	1,500	Rubber Dual Lip	TRB	3.02
CTRE-3.00A-R	7,393	5,036	3,358	1,259	13,980	1,950	1,500	Rubber Lip	DGBB	4.51
CTRE-3.00-R	14,300	20,000	5,790	12,000	13,980	-	1,500	Rubber Dual Lip	TRB	4.54
CTRE-3.25A-R	7,393	5,036	3,358	1,259	13,980	1,950	1,500	Rubber Lip	DGBB	5.17
CTRE-3.25-R	14,300	20,000	5,790	12,000	13,980	-	1,500	Rubber Dual Lip	TRB	5.20
CTRE-3.50A-R	7,393	5,036	3,358	1,259	13,980	1,950	1,500	Rubber Lip	DGBB	6.07
CTRE-3.50-R	14,300	20,000	5,790	12,000	13,980	-	1,500	Rubber Dual Lip	TRB	6.11
CTRE-4.00A-R	7,393	5,036	3,358	1,259	13,980	1,950	1,500	Rubber Lip	DGBB	7.66
CTRE-4.00-R	14,300	20,000	5,790	12,000	13,980	-	1,500	Rubber Dual Lip	TRB	7.69
CTRE-4.50-R	14,300	20,000	5,790	12,000	13,980	-	1,500	Rubber Dual Lip	TRB	9.49
CTRE-5.00-R	35,870	58,400	13,310	32,100	38,190	-	1,500	Rubber Dual Lip	TRB	19.59
CTRE-6.00-R	35,830	56,200	14,150	32,900	74,580	-	1,500	Rubber Dual Lip	TRB	30.13