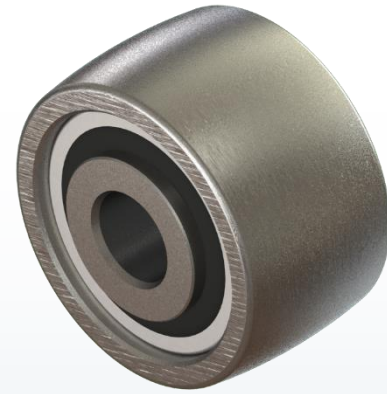
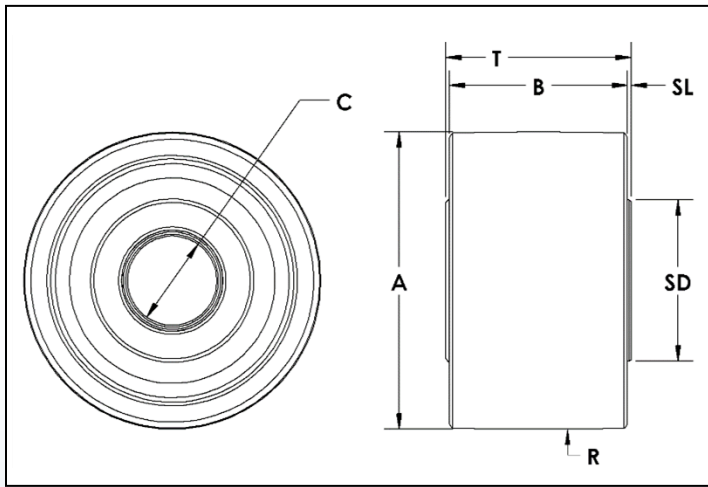


CTRY Series Track Roller Assembly

Crowned/Spherical – Yoke Type
Ball & Tapered Roller Bearings

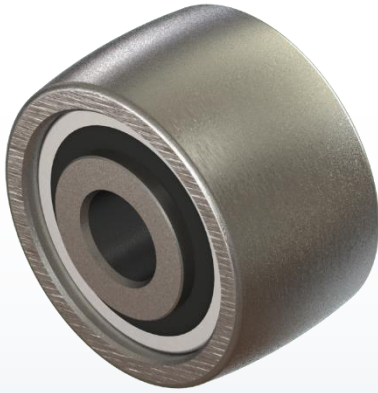


Yoke Type Track Roller Part Number	A Roller Dia. +.000 -.001	B Roller Width	C Bore Dia. +.0007 -.0000	R Crown Radius	SD Shoulder Dia.	SL Shoulder Length	T Inner Race Width +.005 -.010
CTRY-1.50	1.500	0.880	0.4380	20	0.9	0.03	0.937
CTRY-1.75	1.750	1.000	0.5005	20	0.9	0.03	1.063
CTRY-2.00	2.000	1.250	0.6255	24	1.1	0.03	1.313
CTRY-2.25	2.250	1.250	0.6255	24	1.1	0.03	1.313
CTRY-2.50	2.500	1.500	0.7505	30	1.2	0.03	1.563
CTRY-2.50E	2.500	1.500	0.7505	30	1.3	0.03	1.563
CTRY-2.75	2.750	1.500	0.7505	30	1.2	0.03	1.563
CTRY-2.75E	2.750	1.500	0.7505	30	1.3	0.03	1.563
CTRY-3.00A	3.000	1.750	1.0005	30	1.8	0.03	1.813
CTRY-3.00	3.000	1.750	1.0005	30	1.8	0.03	1.813
CTRY-3.25A	3.250	1.750	1.0005	30	1.8	0.03	1.813
CTRY-3.25	3.250	1.750	1.0005	30	1.8	0.03	1.813
CTRY-3.50A	3.500	2.000	1.1255	30	2.0	0.03	2.063
CTRY-3.50	3.500	2.000	1.1255	30	2.0	0.03	2.063
CTRY-4.00A	4.000	2.250	1.2505	30	2.0	0.03	2.313
CTRY-4.00	4.000	2.250	1.2505	30	2.0	0.03	2.313
CTRY-5.00	5.000	2.750	1.7508	48	3.2	0.06	2.875
CTRY-6.00	6.000	3.250	2.2508	56	3.5	0.06	3.375
CTRY-7.00	7.000	3.750	2.7508	60	4.1	0.06	3.875
CTRY-8.00	8.000	4.250	3.2560	40	4.7	0.13	4.500
CTRY-9.00	9.000	4.750	3.7560	40	5.3	0.13	5.000
CTRY-10.00	10.000	5.250	4.2560	40	6.5	0.13	5.500
CTRY-12.00	12.000	5.250	4.2560	40	6.5	0.13	5.500
CTRY-14.00	14.000	5.250	4.2560	40	6.5	0.13	5.500
CTRY-16.00	16.000	5.250	4.2560	40	6.5	0.13	5.500
CTRY-18.00	18.000	5.250	4.2560	40	6.5	0.13	5.500
CTRY-20.00	20.000	5.250	4.2560	40	6.5	0.13	5.500

Optional PCI Yoke Shaft	Optional PCI Eccentric Yoke Shaft
YSH-.437	YSHE-.437
YSH-.500	YSHE-.500
YSH-.625	YSHE-.625
YSH-.625	YSHE-.625
YSH-.750	YSHE-.750
YSH-.750	YSHE-.750
YSH-.750	YSHE-.750
YSH-.750	YSHE-.750
YSH-1.000	YSHE-1.000
YSH-1.000	YSHE-1.000
YSH-1.000	YSHE-1.000
YSH-1.000	YSHE-1.000
YSH-1.125	YSHE-1.125
YSH-1.125	YSHE-1.125
YSH-1.250	YSHE-1.250
YSH-1.250	YSHE-1.250
YSH-1.750	YSHE-1.750
YSH-2.250	YSHE-2.250
YSH-2.750	YSHE-2.750
YSH-3.250	-
YSH-3.750	-
YSH-4.250	-
YSH-4.250	-
YSH-4.250	-
YSH-4.250	-
YSH-4.250	-

CTRY Series Track Roller Assembly

Crowned/Spherical – Yoke Type
Ball & Tapered Roller Bearings



ADDITIONAL NOTES

DGGB: Deep Groove Ball Bearings – Alloy Steel
TRB: Tapered Roller Bearings – Alloy Steel

PCI Heavy Duty Yoke Shafts are available at an additional cost. See YSH page for details.

Specifications subject to change without notice.

Yoke Type Track Roller Part Number	Basic Radial Dynamic Load Rating (lbs) C	Basic Radial Static Load Rating (lbs) Co	Thrust Dynamic Load Rating (lbs)	Thrust Static Load Rating (lbs)	Seal Type	Bearing Type	Approx. Roller Weight (lbs)
CTRY-1.50	1,683	1,147	764	287	Rubber Lip	DGGB	0.30
CTRY-1.75	1,683	1,147	764	287	Rubber Lip	DGGB	0.49
CTRY-2.00	3,624	2,248	1,591	562	Rubber Lip	DGGB	0.49
CTRY-2.25	3,624	2,248	1,591	562	Rubber Lip	DGGB	0.78
CTRY-2.50	5,390	3,507	2,407	877	Rubber Lip	DGGB	1.55
CTRY-2.50E	10,880	7,630	4,010	4,570	Rubber Dual Lip	TRB	1.72
CTRY-2.75	5,390	3,507	2,407	877	Rubber Lip	DGGB	1.97
CTRY-2.75E	10,880	7,630	4,010	4,570	Rubber Dual Lip	TRB	2.11
CTRY-3.00A	6,118	4,586	2,884	1,147	Rubber Lip	DGGB	2.34
CTRY-3.00	14,300	20,000	5,790	12,000	Rubber Dual Lip	TRB	2.59
CTRY-3.25A	6,118	4,586	2,884	1,147	Rubber Lip	DGGB	2.94
CTRY-3.25	14,300	20,000	5,790	12,000	Rubber Dual Lip	TRB	3.19
CTRY-3.50A	6,483	5,216	3,145	1,304	Rubber Lip	DGGB	3.85
CTRY-3.50	17,600	27,200	5,750	13,100	Rubber Dual Lip	TRB	4.23
CTRY-4.00A	6,483	5,216	3,145	1,304	Rubber Lip	DGGB	6.10
CTRY-4.00	17,600	27,200	5,750	13,100	Rubber Dual Lip	TRB	6.51
CTRY-5.00	35,870	58,400	13,310	32,100	Rubber Dual Lip	TRB	12.17
CTRY-6.00	35,830	56,200	14,150	32,900	Rubber Dual Lip	TRB	19.28
CTRY-7.00	42,400	79,800	17,400	48,400	Rubber Lip	TRB	30.07
CTRY-8.00	83,700	159,800	39,000	110,000	Rubber Lip	TRB	44.36
CTRY-9.00	134,600	250,000	53,600	147,000	Rubber Lip	TRB	61.94
CTRY-10.00	137,300	276,000	62,000	194,000	Rubber Lip	TRB	82.98
CTRY-12.00	137,300	276,000	62,000	194,000	Rubber Lip	TRB	133.64
CTRY-14.00	137,300	276,000	62,000	194,000	Rubber Lip	TRB	193.03
CTRY-16.00	137,300	276,000	62,000	194,000	Rubber Lip	TRB	261.58
CTRY-18.00	137,300	276,000	62,000	194,000	Rubber Lip	TRB	339.32
CTRY-20.00	137,300	276,000	62,000	194,000	Rubber Lip	TRB	426.23

CTRY-R Series Track Roller Assembly

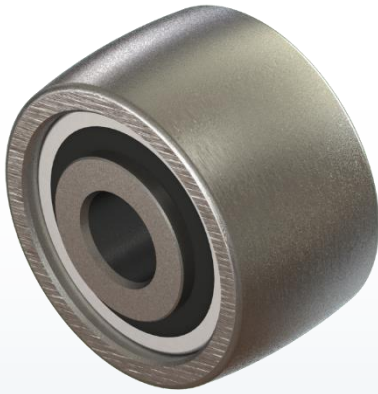
Crowned/Spherical – Yoke Type

Ball & Tapered Roller Bearings - Regreasable



989.358.6148

www.pcimfg.com



ADDITIONAL NOTES

DGBB: Deep Groove Ball Bearings – Alloy Steel

TRB: Tapered Roller Bearings – Alloy Steel

PCI Heavy Duty Yoke Shafts are available at an additional cost. See YSH page for details.

Specifications subject to change without notice.

Yoke Type Track Roller Part Number	Basic Radial Dynamic Load Rating (lbs) C	Basic Radial Static Load Rating (lbs) Co	Thrust Dynamic Load Rating (lbs)	Thrust Static Load Rating (lbs)	Seal Type	Bearing Type	Approx. Roller Weight (lbs)
CTRY-1.50-R	1,683	1,147	764	287	Rubber Lip	DGBB	0.30
CTRY-1.75-R	1,683	1,147	764	287	Rubber Lip	DGBB	0.49
CTRY-2.00-R	3,624	2,248	1,591	562	Rubber Lip	DGBB	0.49
CTRY-2.25-R	3,624	2,248	1,591	562	Rubber Lip	DGBB	0.78
CTRY-2.50-R	5,390	3,507	2,407	877	Rubber Lip	DGBB	1.55
CTRY-2.50E-R	10,880	7,630	4,010	4,570	Rubber Dual Lip	TRB	1.72
CTRY-2.75-R	5,390	3,507	2,407	877	Rubber Lip	DGBB	1.97
CTRY-2.75E-R	10,880	7,630	4,010	4,570	Rubber Dual Lip	TRB	2.11
CTRY-3.00A-R	6,118	4,586	2,884	1,147	Rubber Lip	DGBB	2.34
CTRY-3.00-R	14,300	20,000	5,790	12,000	Rubber Dual Lip	TRB	2.59
CTRY-3.25A-R	6,118	4,586	2,884	1,147	Rubber Lip	DGBB	2.94
CTRY-3.25-R	14,300	20,000	5,790	12,000	Rubber Dual Lip	TRB	3.19
CTRY-3.50A-R	6,483	5,216	3,145	1,304	Rubber Lip	DGBB	3.85
CTRY-3.50-R	17,600	27,200	5,750	13,100	Rubber Dual Lip	TRB	4.23
CTRY-4.00A-R	6,483	5,216	3,145	1,304	Rubber Lip	DGBB	6.10
CTRY-4.00-R	17,600	27,200	5,750	13,100	Rubber Dual Lip	TRB	6.51
CTRY-5.00-R	35,870	58,400	13,310	32,100	Rubber Dual Lip	TRB	12.17
CTRY-6.00-R	35,830	56,200	14,150	32,900	Rubber Dual Lip	TRB	19.28
CTRY-7.00-R	42,400	79,800	17,400	48,400	Rubber Lip	TRB	30.07
CTRY-8.00-R	83,700	159,800	39,000	110,000	Rubber Lip	TRB	44.36
CTRY-9.00-R	134,600	250,000	53,600	147,000	Rubber Lip	TRB	61.94
CTRY-10.00-R	137,300	276,000	62,000	194,000	Rubber Lip	TRB	82.98
CTRY-12.00-R	137,300	276,000	62,000	194,000	Rubber Lip	TRB	133.64
CTRY-14.00-R	137,300	276,000	62,000	194,000	Rubber Lip	TRB	193.03
CTRY-16.00-R	137,300	276,000	62,000	194,000	Rubber Lip	TRB	261.58
CTRY-18.00-R	137,300	276,000	62,000	194,000	Rubber Lip	TRB	339.32
CTRY-20.00-R	137,300	276,000	62,000	194,000	Rubber Lip	TRB	426.23