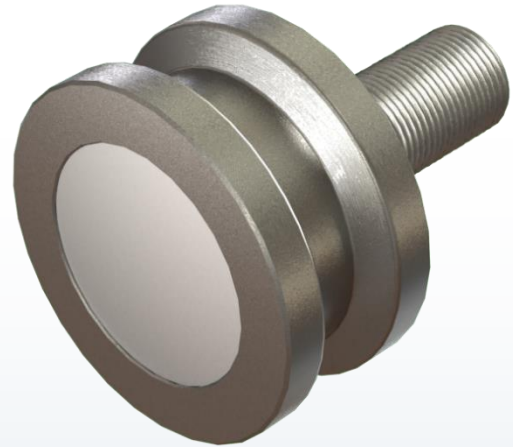
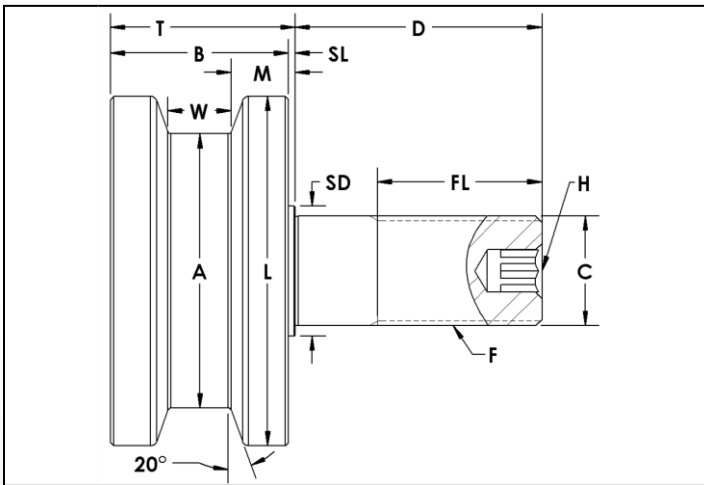


# FFTR Series Track Roller Assembly

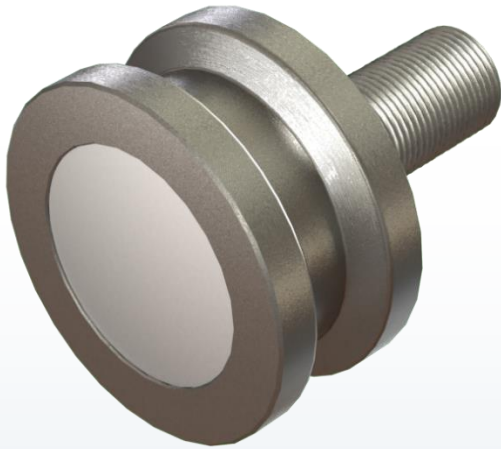
Double Flanged – Stud Type Concentric  
Ball & Tapered Roller Bearings



Stud Type Track Roller Part Number	A	B	C	D	F	FL	H	L	M	SD	SL	T	W
	Roller Dia.	Roller Width	Stud Dia. +0.000 -0.001	Stud Length	Thread Size	Thread Length	Hex Size	Flange Dia	Flange Width	Shoulder Dia.	Shoulder Length	Roller Width + Shoulder Length	Tread Width
FFTR-1.00	1.00	0.75	0.437	1.00	7/16 - 20	0.50	3/16	1.38	0.22	0.5	0.03	0.78	0.37
FFTR-1.125	1.13	0.75	0.437	1.00	7/16 - 20	0.50	3/16	1.50	0.22	0.5	0.03	0.78	0.37
FFTR-1.25	1.25	0.81	0.500	1.25	1/2 - 20	0.63	3/16	1.56	0.22	0.6	0.03	0.84	0.43
FFTR-1.375	1.38	0.81	0.500	1.25	1/2 - 20	0.63	3/16	1.69	0.22	0.6	0.03	0.84	0.43
FFTR-1.50	1.50	1.13	0.625	1.50	5/8 - 18	0.75	5/16	2.19	0.34	0.8	0.06	1.19	0.57
FFTR-1.75	1.75	1.13	0.750	1.75	3/4 - 16	0.88	5/16	2.44	0.34	0.9	0.06	1.19	0.57
FFTR-2.00	2.00	1.63	0.875	2.00	7/8 - 14	1.13	5/16	2.69	0.59	1.0	0.06	1.69	0.57
FFTR-2.25	2.25	1.63	0.875	2.00	7/8 - 14	1.13	5/16	2.94	0.59	1.0	0.06	1.69	0.57
FFTR-2.50	2.50	1.63	1.000	2.25	1 - 14	1.50	3/8	3.19	0.59	1.2	0.06	1.69	0.57
FFTR-2.50E	2.50	1.75	1.000	2.25	1 - 14	1.50	3/8	3.19	0.59	1.3	0.06	1.81	0.69
FFTR-2.75	2.75	1.63	1.000	2.25	1 - 14	1.50	3/8	3.44	0.59	1.2	0.06	1.69	0.57
FFTR-2.75E	2.75	1.75	1.000	2.25	1 - 14	1.50	3/8	3.44	0.59	1.3	0.06	1.81	0.69
FFTR-3.00A	3.00	1.94	1.250	2.50	1 1/4 - 12	1.75	1/2	3.94	0.59	1.5	0.06	2.00	0.88
FFTR-3.00	3.00	1.94	1.250	2.50	1 1/4 - 12	1.75	1/2	3.94	0.59	1.8	0.06	2.00	0.88
FFTR-3.25A	3.25	1.94	1.250	2.50	1 1/4 - 12	1.75	1/2	4.19	0.59	1.5	0.06	2.00	0.88
FFTR-3.25	3.25	1.94	1.250	2.50	1 1/4 - 12	1.75	1/2	4.19	0.59	1.8	0.06	2.00	0.88
FFTR-3.50A	3.50	1.94	1.250	2.75	1 1/4 - 12	1.75	1/2	4.44	0.59	1.5	0.06	2.00	0.88
FFTR-3.50	3.50	1.94	1.250	2.75	1 1/4 - 12	1.75	1/2	4.44	0.59	1.8	0.06	2.00	0.88
FFTR-4.00A	4.00	1.94	1.250	2.75	1 1/4 - 12	1.75	1/2	4.94	0.59	1.5	0.06	2.00	0.88
FFTR-4.00	4.00	1.94	1.250	2.75	1 1/4 - 12	1.75	1/2	4.94	0.59	1.8	0.06	2.00	0.88
FFTR-4.50	4.50	1.94	1.250	2.75	1 1/4 - 12	1.75	1/2	5.44	0.59	1.8	0.06	2.00	0.88
FFTR-4.75	4.75	1.94	1.250	2.75	1 1/4 - 12	1.75	1/2	5.75	0.59	1.8	0.06	2.00	0.88
FFTR-5.00	5.00	2.94	2.000	4.50	2 - 12	2.50	5/8	5.94	0.72	3.0	0.06	3.00	1.62
FFTR-6.00	6.00	2.94	2.500	5.50	2 1/2 - 12	3.25	5/8	6.94	0.72	3.5	0.06	3.00	1.62
FFTR-7.00	7.00	2.94	2.500	5.50	2 1/2 - 12	3.25	5/8	7.94	0.72	3.5	0.06	3.00	1.62
FFTR-8.00	8.00	2.94	2.500	5.50	2 1/2 - 12	3.25	5/8	8.94	0.72	3.5	0.06	3.00	1.62
FFTR-10.00	10.00	2.94	2.500	5.50	2 1/2 - 12	3.25	5/8	10.94	0.72	3.5	0.06	3.00	1.62

# FFTR Series Track Roller Assembly

Double Flanged – Stud Type Concentric  
Ball & Tapered Roller Bearings



## ADDITIONAL NOTES

\*For lubricated threads, use half the maximum clamping torque value shown.

DGBB: Deep Groove Ball Bearings – Alloy Steel  
TRB: Tapered Roller Bearings – Alloy Steel

Jam Nut & Lock Washer sets are available at an additional cost.

Specifications subject to change without notice.

Stud Type Track Roller Part Number	Basic Radial Dynamic Load Rating (lbs) C	Basic Radial Static Load Rating (lbs) Co	Thrust Dynamic Load Rating (lbs)	Thrust Static Load Rating (lbs)	Stud Capacity (lbs)	Retaining Ring Capacity (lbs)	Max. Clamping Torque (in-lbs)*	Seal Type	Bearing Type	Approx. Roller Weight (lbs)
FFTR-1.00	956	480	331	60	380	470	180	Rubber Lip	DGBB	0.23
FFTR-1.125	956	480	331	60	380	470	180	Rubber Lip	DGBB	0.28
FFTR-1.25	1,231	640	430	80	700	470	180	Rubber Lip	DGBB	0.34
FFTR-1.375	1,231	640	430	80	700	470	180	Rubber Lip	DGBB	0.41
FFTR-1.50	2,651	1,394	1,101	348	1,210	550	350	Rubber Lip	DGBB	0.81
FFTR-1.75	2,651	1,394	1,101	348	1,210	550	650	Rubber Lip	DGBB	1.14
FFTR-2.00	3,624	2,136	1,563	534	2,840	900	650	Rubber Lip	DGBB	2.15
FFTR-2.25	3,624	2,136	1,563	534	2,840	900	650	Rubber Lip	DGBB	2.49
FFTR-2.50	5,390	3,507	2,407	877	6,280	1,340	650	Rubber Lip	DGBB	3.16
FFTR-2.50E	10,880	7,630	4,010	4,570	5,970	-	1,500	Rubber Dual Lip	TRB	3.31
FFTR-2.75	5,390	3,507	2,407	877	6,540	1,340	650	Rubber Lip	DGBB	3.72
FFTR-2.75E	10,880	7,630	4,010	4,570	6,200	-	1,500	Rubber Dual Lip	TRB	3.90
FFTR-3.00A	7,393	5,036	3,358	1,259	10,800	1,950	1,500	Rubber Lip	DGBB	5.25
FFTR-3.00	14,300	20,000	5,790	12,000	10,800	-	1,500	Rubber Dual Lip	TRB	5.46
FFTR-3.25A	7,393	5,036	3,358	1,259	10,800	1,950	1,500	Rubber Lip	DGBB	5.89
FFTR-3.25	14,300	20,000	5,790	12,000	10,800	-	1,500	Rubber Dual Lip	TRB	6.24
FFTR-3.50A	7,393	5,036	3,358	1,259	10,800	1,950	1,500	Rubber Lip	DGBB	6.78
FFTR-3.50	14,300	20,000	5,790	12,000	10,800	-	1,500	Rubber Dual Lip	TRB	7.17
FFTR-4.00A	7,393	5,036	3,358	1,259	10,800	1,950	1,500	Rubber Lip	DGBB	8.55
FFTR-4.00	14,300	20,000	5,790	12,000	10,800	-	1,500	Rubber Dual Lip	TRB	9.01
FFTR-4.50	14,300	20,000	5,790	12,000	10,800	-	1,500	Rubber Dual Lip	TRB	10.76
FFTR-4.75	14,300	20,000	5,790	12,000	10,800	-	1,500	Rubber Dual Lip	TRB	12.25
FFTR-5.00	35,870	58,400	13,310	32,100	30,800	-	1,500	Rubber Dual Lip	TRB	21.39
FFTR-6.00	35,830	56,200	14,150	32,900	60,150	-	1,500	Rubber Dual Lip	TRB	31.82
FFTR-7.00	35,830	56,200	14,150	32,900	60,150	-	1,500	Rubber Dual Lip	TRB	39.74
FFTR-8.00	35,830	56,200	14,150	32,900	60,150	-	1,500	Rubber Dual Lip	TRB	49.83
FFTR-10.00	35,830	56,200	14,150	32,900	60,150	-	1,500	Rubber Dual Lip	TRB	73.83

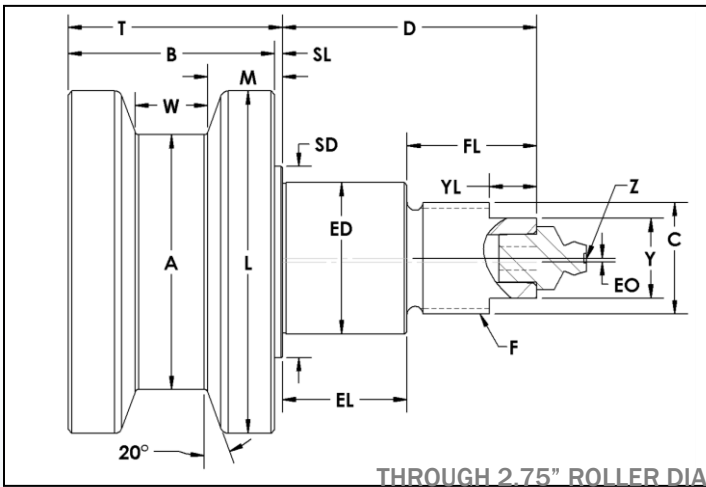
# FFTR-R Series Track Roller Assembly

Double Flanged – Stud Type Concentric  
Ball & Tapered Roller Bearings - Regreasable

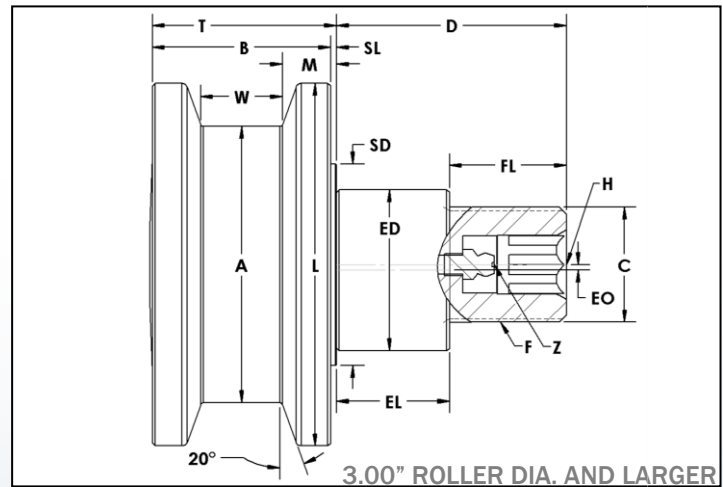


989.358.6148

www.pcimfg.com



THROUGH 2.75" ROLLER DIA

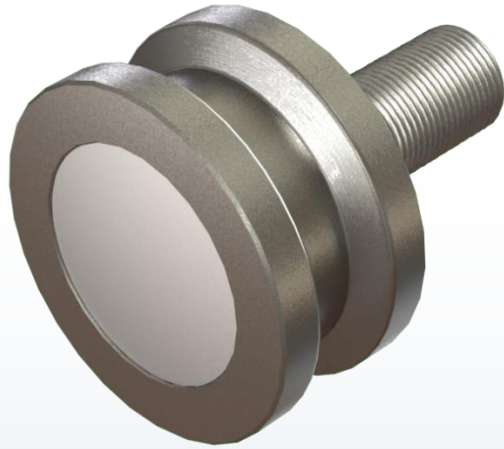


3.00" ROLLER DIA. AND LARGER

Stud Type Track Roller Part Number	A	B	C	D	F	FL	H	L	M	SD	SL	T	W	Y	YL	Z
	Roller Dia.	Roller Width	Stud Dia. +.000 -.001	Stud Length	Thread Size	Thread Length	Hex Size	Flange Dia	Flange Width	Shld. Dia	Shoulder Length	Roller Width + Shoulder Length	Tread Width	Wrench Flat	Wrench Flat Length	Lube Size
FFTR-1.00-R	1.00	0.75	0.437	1.00	7/16 - 20	0.50	-	1.38	0.22	0.5	0.03	0.78	0.37	0.312	0.250	1/8 Drive
FFTR-1.125-R	1.13	0.75	0.437	1.00	7/16 - 20	0.50	-	1.50	0.22	0.5	0.03	0.78	0.37	0.312	0.250	1/8 Drive
FFTR-1.25-R	1.25	0.81	0.500	1.25	1/2 - 20	0.63	-	1.56	0.22	0.6	0.03	0.84	0.43	0.375	0.250	1/8 Drive
FFTR-1.375-R	1.38	0.81	0.500	1.25	1/2 - 20	0.63	-	1.69	0.22	0.6	0.03	0.84	0.43	0.375	0.250	1/8 Drive
FFTR-1.50-R	1.50	1.13	0.625	1.50	5/8 - 18	0.75	-	2.19	0.34	0.8	0.06	1.19	0.57	0.500	0.375	1/4-28 UNF
FFTR-1.75-R	1.75	1.13	0.750	1.75	3/4 - 16	0.88	-	2.44	0.34	0.9	0.06	1.19	0.57	0.625	0.375	1/8-27 NPT
FFTR-2.00-R	2.00	1.63	0.875	2.00	7/8 - 14	1.13	-	2.69	0.59	1.0	0.06	1.69	0.57	0.625	0.375	1/8-27 NPT
FFTR-2.25-R	2.25	1.63	0.875	2.00	7/8 - 14	1.13	-	2.94	0.59	1.0	0.06	1.69	0.57	0.625	0.375	1/8-27 NPT
FFTR-2.50-R	2.50	1.63	1.000	2.25	1 - 14	1.50	-	3.19	0.59	1.2	0.06	1.69	0.57	0.875	0.375	1/8-27 NPT
FFTR-2.50E-R	2.50	1.75	1.000	2.25	1 - 14	1.50	-	3.19	0.59	1.3	0.06	1.81	0.69	0.875	0.375	1/8-27 NPT
FFTR-2.75-R	2.75	1.63	1.000	2.25	1 - 14	1.50	-	3.44	0.59	1.2	0.06	1.69	0.57	0.875	0.375	1/8-27 NPT
FFTR-2.75E-R	2.75	1.75	1.000	2.25	1 - 14	1.50	-	3.44	0.59	1.3	0.06	1.81	0.69	0.875	0.375	1/8-27 NPT
FFTR-3.00A-R	3.00	1.94	1.250	2.50	1 1/4 - 12	1.75	5/8	3.94	0.59	1.5	0.06	2.00	0.88	-	-	1/4-28 UNF
FFTR-3.00-R	3.00	1.94	1.250	2.50	1 1/4 - 12	1.75	5/8	3.94	0.59	1.8	0.06	2.00	0.88	-	-	1/4-28 UNF
FFTR-3.25A-R	3.25	1.94	1.250	2.50	1 1/4 - 12	1.75	5/8	4.19	0.59	1.5	0.06	2.00	0.88	-	-	1/4-28 UNF
FFTR-3.25-R	3.25	1.94	1.250	2.50	1 1/4 - 12	1.75	5/8	4.19	0.59	1.8	0.06	2.00	0.88	-	-	1/4-28 UNF
FFTR-3.50A-R	3.50	1.94	1.250	2.75	1 1/4 - 12	1.75	5/8	4.44	0.59	1.5	0.06	2.00	0.88	-	-	1/4-28 UNF
FFTR-3.50-R	3.50	1.94	1.250	2.75	1 1/4 - 12	1.75	5/8	4.44	0.59	1.8	0.06	2.00	0.88	-	-	1/4-28 UNF
FFTR-4.00A-R	4.00	1.94	1.250	2.75	1 1/4 - 12	1.75	5/8	4.94	0.59	1.5	0.06	2.00	0.88	-	-	1/4-28 UNF
FFTR-4.00-R	4.00	1.94	1.250	2.75	1 1/4 - 12	1.75	5/8	4.94	0.59	1.8	0.06	2.00	0.88	-	-	1/4-28 UNF
FFTR-4.50-R	4.50	1.94	1.250	2.75	1 1/4 - 12	1.75	5/8	5.44	0.59	1.8	0.06	2.00	0.88	-	-	1/4-28 UNF
FFTR-4.75-R	4.75	1.94	1.250	2.75	1 1/4 - 12	1.75	5/8	5.75	0.59	1.8	0.06	2.00	0.88	-	-	1/4-28 UNF
FFTR-5.00-R	5.00	2.94	2.000	4.50	2 - 12	2.50	5/8	5.94	0.72	3.0	0.06	3.00	1.62	-	-	1/4-28 UNF
FFTR-6.00-R	6.00	2.94	2.500	5.50	2 1/2 - 12	3.25	5/8	6.94	0.72	3.5	0.06	3.00	1.62	-	-	1/4-28 UNF
FFTR-7.00-R	7.00	2.94	2.500	5.50	2 1/2 - 12	3.25	5/8	7.94	0.72	3.5	0.06	3.00	1.62	-	-	1/4-28 UNF
FFTR-8.00-R	8.00	2.94	2.500	5.50	2 1/2 - 12	3.25	5/8	8.94	0.72	3.5	0.06	3.00	1.62	-	-	1/4-28 UNF
FFTR-10.00-R	10.00	2.94	2.500	5.50	2 1/2 - 12	3.25	5/8	10.94	0.72	3.5	0.06	3.00	1.62	-	-	1/4-28 UNF

# FFTR-R Series Track Roller Assembly

Double Flanged – Stud Type Concentric  
Ball & Tapered Roller Bearings - Regreasable



## ADDITIONAL NOTES

\*For lubricated threads, use half the maximum clamping torque value shown.

DGGB: Deep Groove Ball Bearings – Alloy Steel  
TRB: Tapered Roller Bearings – Alloy Steel

Jam Nut & Lock Washer sets are available at an additional cost.

Specifications subject to change without notice.

Stud Type Track Roller Part Number	Basic Radial Dynamic Load Rating (lbs) C	Basic Radial Static Load Rating (lbs) Co	Thrust Dynamic Load Rating (lbs)	Thrust Static Load Rating (lbs)	Stud Capacity (lbs)	Retaining Ring Capacity (lbs)	Max. Clamping Torque (in-lbs)*	Seal Type	Bearing Type	Approx. Roller Weight (lbs)
FFTR-1.00-R	956	480	331	60	380	470	180	Rubber Lip	DGGB	0.23
FFTR-1.125-R	956	480	331	60	380	470	180	Rubber Lip	DGGB	0.28
FFTR-1.25-R	1,231	640	430	80	700	470	180	Rubber Lip	DGGB	0.34
FFTR-1.375-R	1,231	640	430	80	700	470	180	Rubber Lip	DGGB	0.41
FFTR-1.50-R	2,651	1,394	1,101	348	1,220	550	350	Rubber Lip	DGGB	0.81
FFTR-1.75-R	2,651	1,394	1,101	348	1,210	550	650	Rubber Lip	DGGB	1.14
FFTR-2.00-R	3,624	2,136	1,563	534	2,840	900	650	Rubber Lip	DGGB	2.15
FFTR-2.25-R	3,624	2,136	1,563	534	2,840	900	650	Rubber Lip	DGGB	2.61
FFTR-2.50-R	5,390	3,507	2,407	877	6,280	1,340	650	Rubber Lip	DGGB	3.16
FFTR-2.50E-R	10,880	7,630	4,010	4,570	5,970	-	1,500	Rubber Dual Lip	TRB	3.31
FFTR-2.75-R	5,390	3,507	2,407	877	6,540	1,340	650	Rubber Lip	DGGB	3.72
FFTR-2.75E-R	10,880	7,630	4,010	4,570	6,200	-	1,500	Rubber Dual Lip	TRB	3.90
FFTR-3.00A-R	7,393	5,036	3,358	1,259	10,800	1,950	1,500	Rubber Lip	DGGB	5.25
FFTR-3.00-R	14,300	20,000	5,790	12,000	10,800	-	1,500	Rubber Dual Lip	TRB	5.46
FFTR-3.25A-R	7,393	5,036	3,358	1,259	10,800	1,950	1,500	Rubber Lip	DGGB	5.89
FFTR-3.25-R	14,300	20,000	5,790	12,000	10,800	-	1,500	Rubber Dual Lip	TRB	6.24
FFTR-3.50A-R	7,393	5,036	3,358	1,259	10,800	1,950	1,500	Rubber Lip	DGGB	6.78
FFTR-3.50-R	14,300	20,000	5,790	12,000	10,800	-	1,500	Rubber Dual Lip	TRB	7.17
FFTR-4.00A-R	7,393	5,036	3,358	1,259	10,800	1,950	1,500	Rubber Lip	DGGB	8.55
FFTR-4.00-R	14,300	20,000	5,790	12,000	10,800	-	1,500	Rubber Dual Lip	TRB	9.01
FFTR-4.50-R	14,300	20,000	5,790	12,000	10,800	-	1,500	Rubber Dual Lip	TRB	10.76
FFTR-4.75-R	14,300	20,000	5,790	12,000	10,800	-	1,500	Rubber Dual Lip	TRB	12.25
FFTR-5.00-R	35,870	58,400	13,310	32,100	30,800	-	1,500	Rubber Dual Lip	TRB	21.39
FFTR-6.00-R	35,830	56,200	14,150	32,900	60,150	-	1,500	Rubber Dual Lip	TRB	31.82
FFTR-7.00-R	35,830	56,200	14,150	32,900	60,150	-	1,500	Rubber Dual Lip	TRB	39.74
FFTR-8.00-R	35,830	56,200	14,150	32,900	60,150	-	1,500	Rubber Dual Lip	TRB	49.83
FFTR-10.00-R	35,830	56,200	14,150	32,900	60,150	-	1,500	Rubber Dual Lip	TRB	73.83