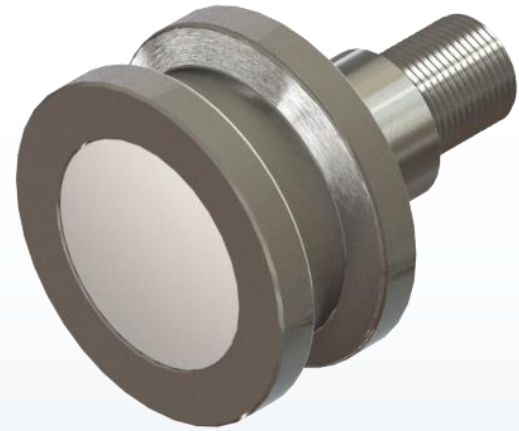
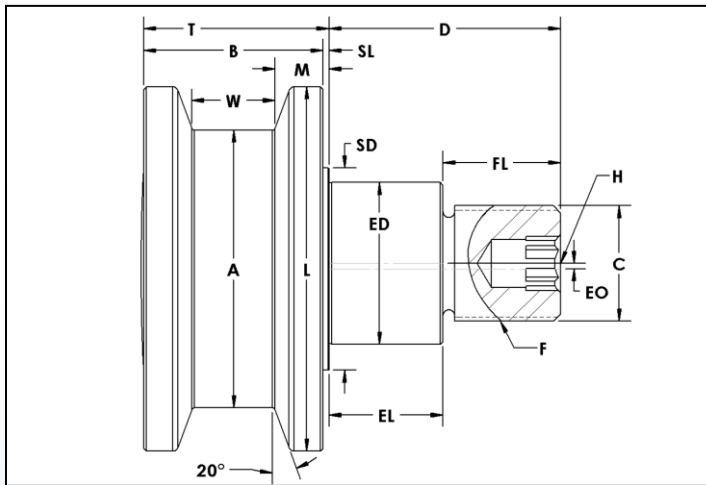


FFTRE Series Track Roller Assembly

Double Flanged – Stud Type Eccentric
Ball & Tapered Roller Bearings



Stud Type Track Roller Part Number	A	B	C	D	ED	EL	EO	F	FL	H	L	M	SD	SL	T	W
	Roller Dia.	Roller Width	Stud Dia.	Stud Length	Ecc Dia +.000 -.002	Ecc Length	Ecc Offset	Thread Size	Thread Length	Hex Size	Flange Dia	Flange Width	Shld Dia.	Shld Length	Roller Width + Shoulder Length	Tread Width
FFTRE-1.00	1.00	0.75	0.437	1.00	0.625	0.48	0.03	7/16 - 20	0.52	3/16	1.38	0.22	0.7	0.03	0.78	0.37
FFTRE-1.125	1.13	0.75	0.437	1.00	0.625	0.48	0.03	7/16 - 20	0.52	3/16	1.50	0.22	0.7	0.03	0.78	0.37
FFTRE-1.25	1.25	0.81	0.500	1.25	0.687	0.61	0.03	1/2 - 20	0.65	3/16	1.56	0.22	0.8	0.03	0.84	0.43
FFTRE-1.375	1.38	0.81	0.500	1.25	0.687	0.61	0.03	1/2 - 20	0.65	3/16	1.69	0.22	0.8	0.03	0.84	0.43
FFTRE-1.50	1.50	1.13	0.625	1.50	0.875	0.73	0.03	5/8 - 18	0.77	5/16	2.19	0.34	1.1	0.06	1.19	0.57
FFTRE-1.75	1.75	1.13	0.750	1.75	1.000	0.86	0.03	3/4 - 16	0.90	5/16	2.44	0.34	1.3	0.06	1.19	0.57
FFTRE-2.00	2.00	1.63	0.875	2.00	1.187	0.98	0.03	7/8 - 14	1.02	5/16	2.69	0.59	1.5	0.06	1.69	0.57
FFTRE-2.25	2.25	1.63	0.875	2.00	1.187	0.98	0.03	7/8 - 14	1.02	5/16	2.94	0.59	1.5	0.06	1.69	0.57
FFTRE-2.50	2.50	1.63	1.000	2.25	1.375	1.11	0.03	1 - 14	1.15	3/8	3.19	0.59	1.7	0.06	1.69	0.57
FFTRE-2.50E	2.50	1.75	1.000	2.25	1.375	1.11	0.03	1 - 14	1.15	3/8	3.19	0.59	1.7	0.06	1.81	0.69
FFTRE-2.75	2.75	1.63	1.000	2.25	1.375	1.11	0.03	1 - 14	1.15	3/8	3.44	0.59	1.7	0.06	1.69	0.57
FFTRE-2.75E	2.75	1.75	1.000	2.25	1.375	1.11	0.03	1 - 14	1.15	3/8	3.44	0.59	1.7	0.06	1.81	0.69
FFTRE-3.00A	3.00	1.94	1.250	2.50	1.750	1.23	0.06	1 1/4 - 12	1.27	1/2	3.94	0.59	2.2	0.06	2.00	0.88
FFTRE-3.00	3.00	1.94	1.250	2.50	1.750	1.23	0.06	1 1/4 - 12	1.27	1/2	3.94	0.59	2.2	0.06	2.00	0.88
FFTRE-3.25A	3.25	1.94	1.250	2.50	1.750	1.23	0.06	1 1/4 - 12	1.27	1/2	4.19	0.59	2.2	0.06	2.00	0.88
FFTRE-3.25	3.25	1.94	1.250	2.50	1.750	1.23	0.06	1 1/4 - 12	1.27	1/2	4.19	0.59	2.2	0.06	2.00	0.88
FFTRE-3.50A	3.50	1.94	1.250	2.75	1.812	1.36	0.06	1 1/4 - 12	1.40	1/2	4.44	0.59	2.2	0.06	2.00	0.88
FFTRE-3.50	3.50	1.94	1.250	2.75	1.812	1.36	0.06	1 1/4 - 12	1.40	1/2	4.44	0.59	2.2	0.06	2.00	0.88
FFTRE-4.00A	4.00	1.94	1.250	2.75	1.812	1.36	0.06	1 1/4 - 12	1.40	1/2	4.94	0.59	2.2	0.06	2.00	0.88
FFTRE-4.00	4.00	1.94	1.250	2.75	1.812	1.36	0.06	1 1/4 - 12	1.40	1/2	4.94	0.59	2.2	0.06	2.00	0.88
FFTRE-4.50	4.50	1.94	1.250	2.75	1.812	1.36	0.06	1 1/4 - 12	1.40	1/2	5.44	0.59	2.2	0.06	2.00	0.88
FFTRE-4.75	4.75	1.94	1.250	2.75	1.812	1.36	0.06	1 1/4 - 12	1.40	1/2	5.75	0.59	2.2	0.06	2.00	0.88
FFTRE-5.00	5.00	2.94	2.000	4.50	2.625	2.13	0.06	2 - 12	2.38	5/8	5.94	0.72	3.3	0.06	3.00	1.62
FFTRE-6.00	6.00	2.94	2.500	5.50	3.125	2.88	0.06	2 1/2 - 12	2.63	5/8	6.94	0.72	3.6	0.06	3.00	1.62

FFTRE Series Track Roller Assembly

Double Flanged – Stud Type Eccentric
Ball & Tapered Roller Bearings



ADDITIONAL NOTES

*For lubricated threads, use half the maximum clamping torque value shown.

DGGB: Deep Groove Ball Bearings – Alloy Steel
TRB: Tapered Roller Bearings – Alloy Steel

Jam Nut & Lock Washer sets are available at an additional cost.

Specifications subject to change without notice.

Stud Type Track Roller Part Number	Basic Radial Dynamic Load Rating (lbs) C	Basic Radial Static Load Rating (lbs) Co	Thrust Dynamic Load Rating (lbs)	Thrust Static Load Rating (lbs)	Stud Capacity (lbs)	Retaining Ring Capacity (lbs)	Max. Clamping Torque (in-lbs)*	Seal Type	Bearing Type	Approx. Roller Weight (lbs)
FFTRE-1.00	956	480	331	60	380	470	250	Rubber Lip	DGGB	0.25
FFTRE-1.125	956	480	331	60	380	470	250	Rubber Lip	DGGB	0.31
FFTRE-1.25	1,231	640	430	80	710	470	250	Rubber Lip	DGGB	0.36
FFTRE-1.375	1,231	640	430	80	710	470	250	Rubber Lip	DGGB	0.45
FFTRE-1.50	2,651	1,394	1,101	348	1,220	550	650	Rubber Lip	DGGB	0.91
FFTRE-1.75	2,651	1,394	1,101	348	1,220	550	650	Rubber Lip	DGGB	1.25
FFTRE-2.00	3,624	2,136	1,563	534	2,840	900	650	Rubber Lip	DGGB	2.29
FFTRE-2.25	3,624	2,136	1,563	534	2,840	900	650	Rubber Lip	DGGB	2.80
FFTRE-2.50	5,390	3,507	2,407	877	6,280	1,340	650	Rubber Lip	DGGB	3.48
FFTRE-2.50E	10,880	7,630	4,010	4,570	5,970	-	1,500	Rubber Dual Lip	TRB	3.67
FFTRE-2.75	5,390	3,507	2,407	877	6,540	1,340	650	Rubber Lip	DGGB	3.98
FFTRE-2.75E	10,880	7,630	4,010	4,570	6,200	-	1,500	Rubber Dual Lip	TRB	4.16
FFTRE-3.00A	7,393	5,036	3,358	1,259	10,800	1,950	1,500	Rubber Lip	DGGB	5.77
FFTRE-3.00	14,300	20,000	5,790	12,000	10,800	-	1,500	Rubber Dual Lip	TRB	5.81
FFTRE-3.25A	7,393	5,036	3,358	1,259	10,800	1,950	1,500	Rubber Lip	DGGB	6.4
FFTRE-3.25	14,300	20,000	5,790	12,000	10,800	-	1,500	Rubber Dual Lip	TRB	6.45
FFTRE-3.50A	7,393	5,036	3,358	1,259	10,800	1,950	1,500	Rubber Lip	DGGB	7.57
FFTRE-3.50	14,300	20,000	5,790	12,000	10,800	-	1,500	Rubber Dual Lip	TRB	7.75
FFTRE-4.00A	7,393	5,036	3,358	1,259	10,800	1,950	1,500	Rubber Lip	DGGB	9.11
FFTRE-4.00	14,300	20,000	5,790	12,000	10,800	-	1,500	Rubber Dual Lip	TRB	9.61
FFTRE-4.50	14,300	20,000	5,790	12,000	10,800	-	1,500	Rubber Dual Lip	TRB	11.34
FFTRE-4.75	14,300	20,000	5,790	12,000	10,800	-	1,500	Rubber Dual Lip	TRB	12.50
FFTRE-5.00	35,870	58,400	13,310	32,100	30,800	-	1,500	Rubber Dual Lip	TRB	22.79
FFTRE-6.00	35,830	56,200	14,150	32,900	60,150	-	1,500	Rubber Dual Lip	TRB	33.85

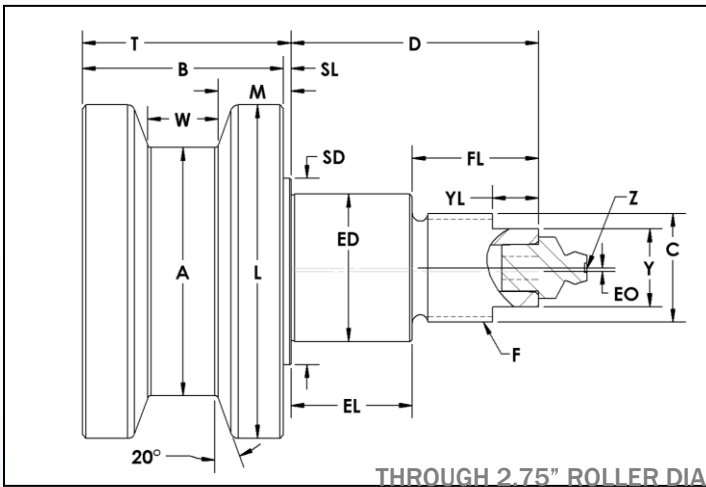
FFTRE-R Series Track Roller Assembly

Double Flanged – Stud Type Eccentric
Ball & Tapered Roller Bearings - Regreasable

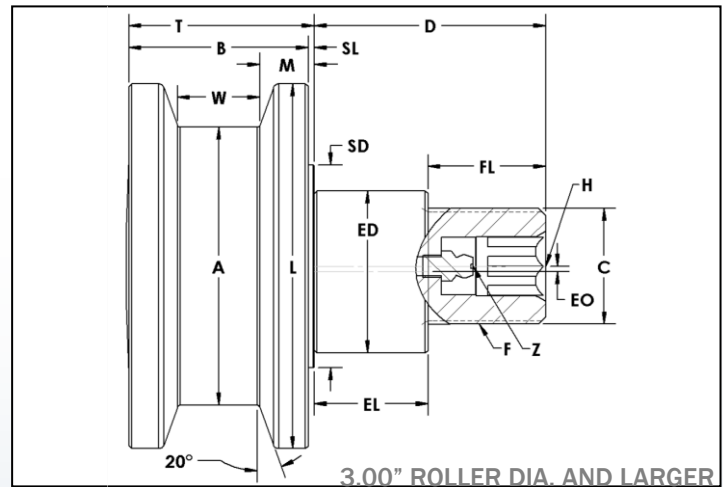


989.358.6148

www.pcimfg.com



THROUGH 2.75" ROLLER DIA



3.00" ROLLER DIA. AND LARGER

Stud Type Track Roller Part Number	A	B	C	D	ED	EL	EO	F	FL	H	L	M	SD	SL	T	W	Y	YL	Z
	Roller Dia.	Roller Width	Stud Dia.	Stud Length	Ecc Dia +0.000 -0.002	Ecc Length	Ecc Offset	Thread Size	Thread Length	Hex Size	Flange Dia	Flange Width	Shld Dia.	Shld Length	Roller Width + Shoulder Length	Tread Width	Wrench Flat	Wrench Flat Length	Lube Size
FFTRE-1.00-R	1.00	0.75	0.437	1.00	0.625	0.48	0.03	7/16 - 20	0.52	-	1.38	0.22	0.7	0.03	0.78	0.37	0.312	0.250	1/8 Drive
FFTRE-1.125-R	1.13	0.75	0.437	1.00	0.625	0.48	0.03	7/16 - 20	0.52	-	1.50	0.22	0.7	0.03	0.78	0.37	0.312	0.250	1/8 Drive
FFTRE-1.25-R	1.25	0.81	0.500	1.25	0.687	0.61	0.03	1/2 - 20	0.65	-	1.56	0.22	0.8	0.03	0.84	0.43	0.375	0.250	1/8 Drive
FFTRE-1.375-R	1.38	0.81	0.500	1.25	0.687	0.61	0.03	1/2 - 20	0.65	-	1.69	0.22	0.8	0.03	0.84	0.43	0.375	0.250	1/8 Drive
FFTRE-1.50-R	1.50	1.13	0.625	1.50	0.875	0.73	0.03	5/8 - 18	0.77	-	2.19	0.34	1.1	0.06	1.19	0.57	0.500	0.375	1/4-28 UNF
FFTRE-1.75-R	1.75	1.13	0.750	1.75	1.000	0.86	0.03	3/4 - 16	0.90	-	2.44	0.34	1.3	0.06	1.19	0.57	0.625	0.375	1/8-27 NPT
FFTRE-2.00-R	2.00	1.63	0.875	2.00	1.187	0.98	0.03	7/8 - 14	1.02	-	2.69	0.59	1.5	0.06	1.69	0.57	0.625	0.375	1/8-27 NPT
FFTRE-2.25-R	2.25	1.63	0.875	2.00	1.187	0.98	0.03	7/8 - 14	1.02	-	2.94	0.59	1.5	0.06	1.69	0.57	0.625	0.375	1/8-27 NPT
FFTRE-2.50-R	2.50	1.63	1.000	2.25	1.375	1.11	0.03	1 - 14	1.15	-	3.19	0.59	1.7	0.06	1.69	0.57	0.875	0.375	1/8-27 NPT
FFTRE-2.50E-R	2.50	1.75	1.000	2.25	1.375	1.11	0.03	1 - 14	1.15	-	3.19	0.59	1.7	0.06	1.81	0.69	0.875	0.375	1/8-27 NPT
FFTRE-2.75-R	2.75	1.63	1.000	2.25	1.375	1.11	0.03	1 - 14	1.15	-	3.44	0.59	1.7	0.06	1.69	0.57	0.875	0.375	1/8-27 NPT
FFTRE-2.75E-R	2.75	1.75	1.000	2.25	1.375	1.11	0.03	1 - 14	1.15	-	3.44	0.59	1.7	0.06	1.81	0.69	0.875	0.375	1/8-27 NPT
FFTRE-3.00A-R	3.00	1.94	1.250	2.50	1.750	1.23	0.06	1 1/4 - 12	1.27	5/8	3.94	0.59	2.2	0.06	2.00	0.88	-	-	1/4-28 UNF
FFTRE-3.00-R	3.00	1.94	1.250	2.50	1.750	1.23	0.06	1 1/4 - 12	1.27	5/8	3.94	0.59	2.2	0.06	2.00	0.88	-	-	1/4-28 UNF
FFTRE-3.25A-R	3.25	1.94	1.250	2.50	1.750	1.23	0.06	1 1/4 - 12	1.27	5/8	4.19	0.59	2.2	0.06	2.00	0.88	-	-	1/4-28 UNF
FFTRE-3.25-R	3.25	1.94	1.250	2.50	1.750	1.23	0.06	1 1/4 - 12	1.27	5/8	4.19	0.59	2.2	0.06	2.00	0.88	-	-	1/4-28 UNF
FFTRE-3.50A-R	3.50	1.94	1.250	2.75	1.812	1.36	0.06	1 1/4 - 12	1.40	5/8	4.44	0.59	2.2	0.06	2.00	0.88	-	-	1/4-28 UNF
FFTRE-3.50-R	3.50	1.94	1.250	2.75	1.812	1.36	0.06	1 1/4 - 12	1.40	5/8	4.44	0.59	2.2	0.06	2.00	0.88	-	-	1/4-28 UNF
FFTRE-4.00A-R	4.00	1.94	1.250	2.75	1.812	1.36	0.06	1 1/4 - 12	1.40	5/8	4.94	0.59	2.2	0.06	2.00	0.88	-	-	1/4-28 UNF
FFTRE-4.00-R	4.00	1.94	1.250	2.75	1.812	1.36	0.06	1 1/4 - 12	1.40	5/8	4.94	0.59	2.2	0.06	2.00	0.88	-	-	1/4-28 UNF
FFTRE-4.50-R	4.50	1.94	1.250	2.75	1.812	1.36	0.06	1 1/4 - 12	1.40	5/8	5.44	0.59	2.2	0.06	2.00	0.88	-	-	1/4-28 UNF
FFTRE-4.75-R	4.75	1.94	1.250	2.75	1.812	1.36	0.06	1 1/4 - 12	1.40	5/8	5.75	0.59	2.2	0.06	2.00	0.88	-	-	1/4-28 UNF
FFTRE-5.00-R	5.00	2.94	2.000	4.50	2.625	2.13	0.06	2 - 12	2.38	5/8	5.94	0.72	3.3	0.06	3.00	1.62	-	-	1/4-28 UNF
FFTRE-6.00-R	6.00	2.94	2.500	5.50	3.125	2.88	0.06	2 1/2 - 12	2.63	5/8	6.94	0.72	3.6	0.06	3.00	1.62	-	-	1/4-28 UNF

FFTRE-R Series Track Roller Assembly

Double Flanged – Stud Type Eccentric
Ball & Tapered Roller Bearings - Regreasable



ADDITIONAL NOTES

*For lubricated threads, use half the maximum clamping torque value shown.

DGBB: Deep Groove Ball Bearings – Alloy Steel
TRB: Tapered Roller Bearings – Alloy Steel

Jam Nut & Lock Washer sets are available at an additional cost.

Specifications subject to change without notice.

Stud Type Track Roller Part Number	Basic Radial Dynamic Load Rating (lbs) C	Basic Radial Static Load Rating (lbs) Co	Thrust Dynamic Load Rating (lbs)	Thrust Static Load Rating (lbs)	Stud Capacity (lbs)	Retaining Ring Capacity (lbs)	Max. Clamping Torque (in-lbs)*	Seal Type	Bearing Type	Approx. Roller Weight (lbs)
FFTRE-1.00-R	956	480	331	60	380	470	250	Rubber Lip	DGBB	0.25
FFTRE-1.125-R	956	480	331	60	380	470	250	Rubber Lip	DGBB	0.31
FFTRE-1.25-R	1,231	640	430	80	710	470	250	Rubber Lip	DGBB	0.36
FFTRE-1.375-R	1,231	640	430	80	710	470	250	Rubber Lip	DGBB	0.45
FFTRE-1.50-R	2,651	1,394	1,101	348	1,220	550	650	Rubber Lip	DGBB	0.91
FFTRE-1.75-R	2,651	1,394	1,101	348	1,220	550	650	Rubber Lip	DGBB	1.25
FFTRE-2.00-R	3,624	2,136	1,563	534	2,840	900	650	Rubber Lip	DGBB	2.29
FFTRE-2.25-R	3,624	2,136	1,563	534	2,840	900	650	Rubber Lip	DGBB	2.8
FFTRE-2.50-R	5,390	3,507	2,407	877	6,280	1,340	650	Rubber Lip	DGBB	3.48
FFTRE-2.50E-R	10,880	7,630	4,010	4,570	5,970	-	1,500	Rubber Dual Lip	TRB	3.67
FFTRE-2.75-R	5,390	3,507	2,407	877	6,540	1,340	650	Rubber Lip	DGBB	3.98
FFTRE-2.75E-R	10,880	7,630	4,010	4,570	6,200	-	1,500	Rubber Dual Lip	TRB	4.16
FFTRE-3.00A-R	7,393	5,036	3,358	1,259	10,800	1,950	1,500	Rubber Lip	DGBB	5.77
FFTRE-3.00-R	14,300	20,000	5,790	12,000	10,800	-	1,500	Rubber Dual Lip	TRB	5.81
FFTRE-3.25A-R	7,393	5,036	3,358	1,259	10,800	1,950	1,500	Rubber Lip	DGBB	6.4
FFTRE-3.25-R	14,300	20,000	5,790	12,000	10,800	-	1,500	Rubber Dual Lip	TRB	6.45
FFTRE-3.50A-R	7,393	5,036	3,358	1,259	10,800	1,950	1,500	Rubber Lip	DGBB	7.57
FFTRE-3.50-R	14,300	20,000	5,790	12,000	10,800	-	1,500	Rubber Dual Lip	TRB	7.75
FFTRE-4.00A-R	7,393	5,036	3,358	1,259	10,800	1,950	1,500	Rubber Lip	DGBB	9.11
FFTRE-4.00-R	14,300	20,000	5,790	12,000	10,800	-	1,500	Rubber Dual Lip	TRB	9.61
FFTRE-4.50-R	14,300	20,000	5,790	12,000	10,800	-	1,500	Rubber Dual Lip	TRB	11.34
FFTRE-4.75-R	14,300	20,000	5,790	12,000	10,800	-	1,500	Rubber Dual Lip	TRB	12.50
FFTRE-5.00-R	35,870	58,400	13,310	32,100	30,800	-	1,500	Rubber Dual Lip	TRB	22.79
FFTRE-6.00-R	35,830	56,200	14,150	32,900	60,150	-	1,500	Rubber Dual Lip	TRB	33.85