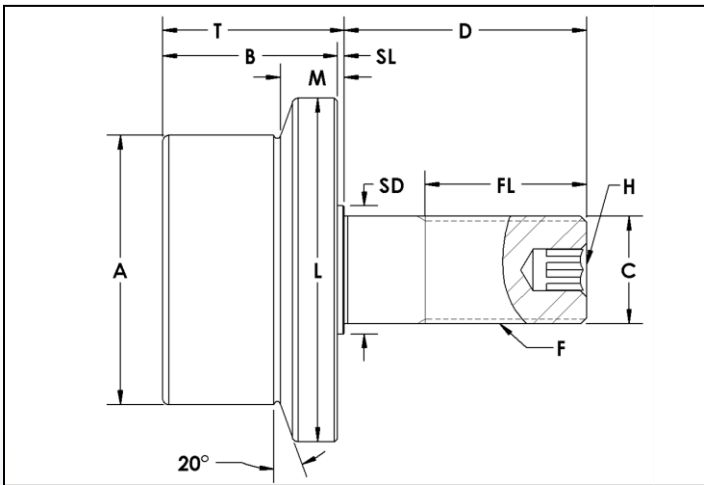


FTR Series Track Roller Assembly

Flanged – Stud Type Concentric
Ball & Tapered Roller Bearings



Stud Type Track Roller Part Number	A	B	C	D	F	FL	H	L	M	SD	SL	T
	Roller Dia. +0.000 -0.001	Roller Width	Stud Dia. +0.000 -0.001	Stud Length	Thread Size	Thread Length	Hex Size	Flange Dia	Flange Width	Shoulder Dia.	Shoulder Length	Roller Width + Shoulder Length
FTR-1.00	1.000	0.75	0.437	1.00	7/16 - 20	0.50	3/16	1.38	0.22	0.5	0.03	0.78
FTR-1.125	1.125	0.75	0.437	1.00	7/16 - 20	0.50	3/16	1.50	0.22	0.5	0.03	0.78
FTR-1.25	1.250	0.81	0.500	1.25	1/2 - 20	0.63	3/16	1.56	0.22	0.6	0.03	0.84
FTR-1.375	1.375	0.81	0.500	1.25	1/2 - 20	0.63	3/16	1.69	0.22	0.6	0.03	0.84
FTR-1.50-2	1.500	1.00	0.500	1.38	1/2 - 20	0.75	1/4	2.00	0.34	0.6	0.06	1.06
FTR-1.50	1.500	1.13	0.625	1.50	5/8 - 18	0.75	5/16	2.19	0.34	0.8	0.06	1.19
FTR-1.75	1.750	1.13	0.750	1.75	3/4 - 16	0.88	5/16	2.44	0.34	0.9	0.06	1.19
FTR-2.00	2.000	1.63	0.875	2.00	7/8 - 14	1.13	5/16	2.69	0.59	1.0	0.06	1.69
FTR-2.00-9	2.000	1.63	0.875	2.00	7/8 - 14	1.13	5/16	2.69	0.59*	1.0	0.06	1.69
FTR-2.25	2.250	1.63	0.875	2.00	7/8 - 14	1.13	5/16	2.94	0.59	1.0	0.06	1.69
FTR-2.50	2.500	1.63	1.000	2.25	1 - 14	1.50	3/8	3.19	0.59	1.2	0.06	1.69
FTR-2.50E	2.500	1.75	1.000	2.25	1 - 14	1.50	3/8	3.19	0.59	1.3	0.06	1.81
FTR-2.75	2.750	1.63	1.000	2.25	1 - 14	1.50	3/8	3.44	0.59	1.2	0.06	1.69
FTR-2.75E	2.750	1.75	1.000	2.25	1 - 14	1.50	3/8	3.44	0.59	1.3	0.06	1.81
FTR-3.00A	3.000	1.94	1.250	2.50	1 1/4 - 12	1.75	1/2	3.94	0.59	1.5	0.06	2.00
FTR-3.00	3.000	1.94	1.250	2.50	1 1/4 - 12	1.75	1/2	3.94	0.59	1.8	0.06	2.00
FTR-3.25A	3.250	1.94	1.250	2.50	1 1/4 - 12	1.75	1/2	4.19	0.59	1.5	0.06	2.00
FTR-3.25	3.250	1.94	1.250	2.50	1 1/4 - 12	1.75	1/2	4.19	0.59	1.8	0.06	2.00
FTR-3.50A	3.500	1.94	1.250	2.75	1 1/4 - 12	1.75	1/2	4.44	0.59	1.5	0.06	2.00
FTR-3.50	3.500	1.94	1.250	2.75	1 1/4 - 12	1.75	1/2	4.44	0.59	1.8	0.06	2.00
FTR-4.00A	4.000	1.94	1.250	2.75	1 1/4 - 12	1.75	1/2	4.94	0.59	1.5	0.06	2.00
FTR-4.00	4.000	1.94	1.250	2.75	1 1/4 - 12	1.75	1/2	4.94	0.59	1.8	0.06	2.00
FTR-4.50	4.500	1.94	1.250	2.75	1 1/4 - 12	1.75	1/2	5.44	0.59	1.8	0.06	2.00
FTR-4.75	4.750	1.94	1.250	2.75	1 1/4 - 12	1.75	1/2	5.75	0.59	1.8	0.06	2.00
FTR-5.00	5.000	2.94	2.000	4.50	2 - 12	2.50	5/8	5.94	0.72	3.0	0.06	3.00
FTR-6.00	6.000	2.94	2.500	5.50	2 1/2 - 12	3.25	5/8	6.94	0.72	3.5	0.06	3.00
FTR-7.00	7.000	2.94	2.500	5.50	2 1/2 - 12	3.25	5/8	7.94	0.72	3.5	0.06	3.00
FTR-8.00	8.000	2.94	2.500	5.50	2 1/2 - 12	3.25	5/8	8.94	0.72	3.5	0.06	3.00
FTR-10.00	10.000	2.94	2.500	5.50	2 1/2 - 12	3.25	5/8	10.94	0.72	3.5	0.06	3.00

*FTR-2.00-9 has a 90° Square Flange in place of the standard 20° Flange

FTR Series Track Roller Assembly

Flanged – Stud Type Concentric
Ball & Tapered Roller Bearings



ADDITIONAL NOTES

*For lubricated threads, use half the maximum clamping torque value shown.

DGGB: Deep Groove Ball Bearings – Alloy Steel
TRB: Tapered Roller Bearings – Alloy Steel

Jam Nut & Lock Washer sets are available at an additional cost.

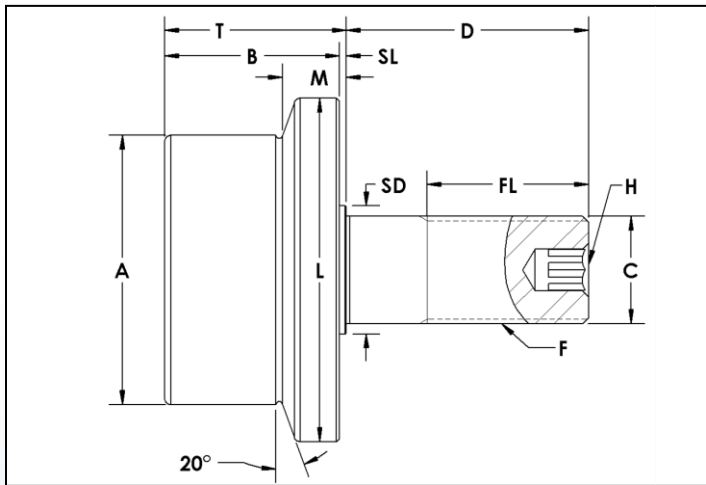
Specifications subject to change without notice.

Stud Type Track Roller Part Number	Basic Radial Dynamic Load Rating (lbs) C	Basic Radial Static Load Rating (lbs) Co	Thrust Dynamic Load Rating (lbs)	Thrust Static Load Rating (lbs)	Stud Capacity (lbs)	Retaining Ring Capacity (lbs)	Max. Clamping Torque (in-lbs)*	Seal Type	Bearing Type	Approx. Roller Weight (lbs)
FTR-1.00	956	480	331	60	380	470	180	Rubber Lip	DGGB	0.20
FTR-1.125	956	480	331	60	380	470	180	Rubber Lip	DGGB	0.24
FTR-1.25	1,231	640	430	80	700	470	180	Rubber Lip	DGGB	0.32
FTR-1.375	1,231	640	430	80	700	470	180	Rubber Lip	DGGB	0.37
FTR-1.50-2	1,857	1,075	662	134	740	470	250	Rubber Lip	DGGB	0.66
FTR-1.50	2,651	1,394	1,101	348	1,210	550	350	Rubber Lip	DGGB	0.66
FTR-1.75	2,651	1,394	1,101	348	1,210	550	650	Rubber Lip	DGGB	0.97
FTR-2.00	3,624	2,136	1,563	534	2,840	900	650	Rubber Lip	DGGB	1.76
FTR-2.00-9	3,624	2,136	1,563	534	2,840	900	650	Rubber Lip	DGGB	1.76
FTR-2.25	3,624	2,136	1,563	534	3,480	900	650	Rubber Lip	DGGB	2.18
FTR-2.50	5,390	3,507	2,407	877	6,280	1,340	650	Rubber Lip	DGGB	2.70
FTR-2.50E	10,880	7,630	4,010	4,570	5,970	-	1,500	Rubber Dual Lip	TRB	2.79
FTR-2.75	5,390	3,507	2,407	877	6,540	1,340	650	Rubber Lip	DGGB	3.20
FTR-2.75E	10,880	7,630	4,010	4,570	6,200	-	1,500	Rubber Dual Lip	TRB	3.29
FTR-3.00A	7,393	5,036	3,358	1,259	10,800	1,950	1,500	Rubber Lip	DGGB	4.51
FTR-3.00	14,300	20,000	5,790	12,000	10,800	-	1,500	Rubber Dual Lip	TRB	4.72
FTR-3.25A	7,393	5,036	3,358	1,259	10,800	1,950	1,500	Rubber Lip	DGGB	5.34
FTR-3.25	14,300	20,000	5,790	12,000	10,800	-	1,500	Rubber Dual Lip	TRB	5.54
FTR-3.50A	7,393	5,036	3,358	1,259	10,800	1,950	1,500	Rubber Lip	DGGB	6.08
FTR-3.50	14,300	20,000	5,790	12,000	10,800	-	1,500	Rubber Dual Lip	TRB	6.27
FTR-4.00A	7,393	5,036	3,358	1,259	10,800	1,950	1,500	Rubber Lip	DGGB	7.92
FTR-4.00	14,300	20,000	5,790	12,000	10,800	-	1,500	Rubber Dual Lip	TRB	8.22
FTR-4.50	14,300	20,000	5,790	12,000	10,800	-	1,500	Rubber Dual Lip	TRB	10.16
FTR-4.75	14,300	20,000	5,790	12,000	10,800	-	1,500	Rubber Dual Lip	TRB	11.22
FTR-5.00	35,870	58,400	13,310	32,100	30,800	-	1,500	Rubber Dual Lip	TRB	20.22
FTR-6.00	35,830	56,200	14,150	32,900	60,150	-	1,500	Rubber Dual Lip	TRB	30.72
FTR-7.00	35,830	56,200	14,150	32,900	60,150	-	1,500	Rubber Dual Lip	TRB	38.01
FTR-8.00	35,830	56,200	14,150	32,900	60,150	-	1,500	Rubber Dual Lip	TRB	49.33
FTR-10.00	35,830	56,200	14,150	32,900	60,150	-	1,500	Rubber Dual Lip	TRB	72.86

MFTR Series Track Roller Assembly

Metric - Flanged – Stud Type Concentric
Ball & Tapered Roller Bearings

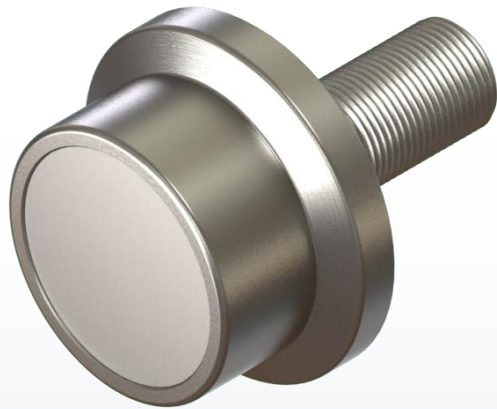
PCT[®]
989.358.6148
www.pcimfg.com



Stud Type Track Roller Part Number	A	B	C	D	F	FL	H	L	M	SD	SL	T
	Roller Dia. +00 -03 (mm)	Roller Width (mm)	Stud Dia. +00 -03 (mm)	Stud Length (mm)	Thread Size	Thread Length (mm)	Hex Size (mm)	Flange Dia (mm)	Flange Width (mm)	Shoulder Dia. (mm)	Shoulder Length (mm)	Roller Width + Shoulder Length (mm)
MFTR-26	26	19.2	10	23	M10 X 1	13	4	35	9	13.1	0.8	20
MFTR-30	30	19.2	12	25	M12 X 1.5	14	4	40	8	15.9	0.8	20
MFTR-32	32	21.2	12	25	M12 X 1.5	14	4	42	8	15.9	0.8	22
MFTR-35	35	21.2	16	32.5	M16 X 2	18	8	46	14	19.1	0.8	22
MFTR-40	40	28.4	14	40	M14 X 2	26	6	54	11	18	1.6	30
MFTR-40-1	40	26	18	36.5	M18 X 1.5	19	8	54	14	22	1.6	27.6
MFTR-47	47	26	20	40.5	M20 X 1.5	21	8	61	14	25.5	1.6	27.6
MFTR-50	50	38.4	16	50	M16 X 2	35	8	68	14	23	1.6	40
MFTR-52	52	32	20	40.5	M20 X 1.5	21	8	66	14	25.5	1.6	33.6
MFTR-62	62	42.4	24	58	M24 X 3	35	8	78	14	32	1.6	44
MFTR-62-1	62	42	24	49.5	M24 X 1.5	25	8	78	14	32	1.6	44
MFTR-72	72	42.4	24	50	M24 X 1.5	25	8	90	14	32	1.6	44
MFTR-76	76	50	30	69.5	M30 X 3.5	40	12	98	14	44.5	1.6	52
MFTR-80	80	50.4	30	70	M30 X 3.5	40	12	102	14	44.5	1.6	52
MFTR-85	85	50	30	69.5	M30 X 3.5	40	12	107	14	44.5	1.6	52
MFTR-90	90	50.4	30	70	M30 X 3.5	40	12	112	14	44.5	1.6	52
MFTR-100-1	100	50	30	69.5	M30 X 3.5	40	12	125	14	44.5	1.6	52
MFTR-100	100	50.4	30	80	M30 X 3.5	50	12	125	14	44.5	1.6	52
MFTR-125	125	74	48	105	M48 X 5	60	12	148	18	76.2	1.6	76
MFTR-150	150	74.4	64	140	M64 X 6	82	12	173	18	88.9	1.6	76
MFTR-200	200	74	64	140	M64 X 6	82	12	223	18	88.9	1.6	76

MFTR Series Track Roller Assembly

Metric - Flanged – Stud Type Concentric
Ball & Tapered Roller Bearings



ADDITIONAL NOTES

*For lubricated threads, use half the maximum clamping torque value shown.

DGBB: Deep Groove Ball Bearings – Alloy Steel
TRB: Tapered Roller Bearings – Alloy Steel

Jam Nut & Lock Washer sets are available at an additional cost.

Specifications subject to change without notice.

Stud Type Track Roller Part Number	Basic Radial Dynamic Load Rating (N) C	Basic Radial Static Load Rating (N) C	Thrust Dynamic Load Rating (N)	Thrust Static Load Rating (N)	Stud Capacity (N)	Retaining Ring Capacity (N)	Max. Clamping Torque (Nm)*	Seal Type	Bearing Type	Approx. Roller Weight (Kg)
MFTR-26	4,250	2,130	1,470	265	2,600	2,090	20	Rubber Lip	DGBB	0.1
MFTR-30	4,250	2,130	1,470	265	2,600	2,090	20	Rubber Lip	DGBB	0.1
MFTR-32	5,470	2,840	1,900	350	4,300	2,090	20	Rubber Lip	DGBB	0.2
MFTR-35	5,470	2,840	1,900	350	4,300	2,090	20	Rubber Lip	DGBB	0.2
MFTR-40	11,790	6,200	4,890	1,540	7,400	2,440	20	Rubber Lip	DGBB	0.3
MFTR-40-1	11,790	6,200	4,890	1,540	7,400	2,440	20	Rubber Lip	DGBB	0.2
MFTR-47	11,790	6,200	4,890	1,540	7,400	2,440	20	Rubber Lip	DGBB	0.5
MFTR-50	16,120	9,500	6,950	2,375	20,700	4,000	68	Rubber Lip	DGBB	0.7
MFTR-52	16,120	9,500	6,950	2,375	20,700	4,000	68	Rubber Lip	DGBB	0.8
MFTR-62	20,732	13,398	9,236	3,350	21,200	5,960	68	Rubber Lip	DGBB	1.2
MFTR-62-1	20,732	13,398	9,236	3,350	21,200	5,960	68	Rubber Lip	DGBB	1.2
MFTR-72	48,300	33,950	17,800	20,330	20,820	-	68	Rubber Dual Lip	TRB	1.3
MFTR-76	63,600	89,000	25,700	53,400	52,780	-	136	Rubber Dual Lip	TRB	2.2
MFTR-80	63,600	89,000	25,700	53,400	52,780	-	136	Rubber Dual Lip	TRB	2.4
MFTR-85	63,600	89,000	25,700	53,400	52,780	-	136	Rubber Dual Lip	TRB	2.8
MFTR-90	63,600	89,000	25,700	53,400	52,780	-	136	Rubber Dual Lip	TRB	3.0
MFTR-100-1	63,600	89,000	25,700	53,400	52,780	-	136	Rubber Dual Lip	TRB	3.7
MFTR-100	63,600	89,000	25,700	53,400	52,780	-	136	Rubber Dual Lip	TRB	3.5
MFTR-125	159,000	259,700	59,000	142,700	143,500	-	136	Rubber Dual Lip	TRB	8.9
MFTR-150	159,000	249,000	62,900	146,300	411,900	-	136	Rubber Dual Lip	TRB	13.1
MFTR-200	159,000	249,000	62,900	146,300	411,900	-	136	Rubber Dual Lip	TRB	20.4

FTR-R Series Track Roller Assembly

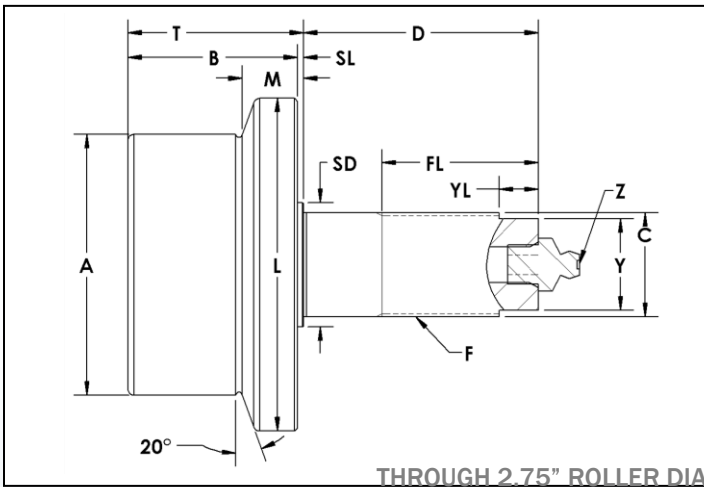
Flanged – Stud Type Concentric

Ball & Tapered Roller Bearings - Regreasable

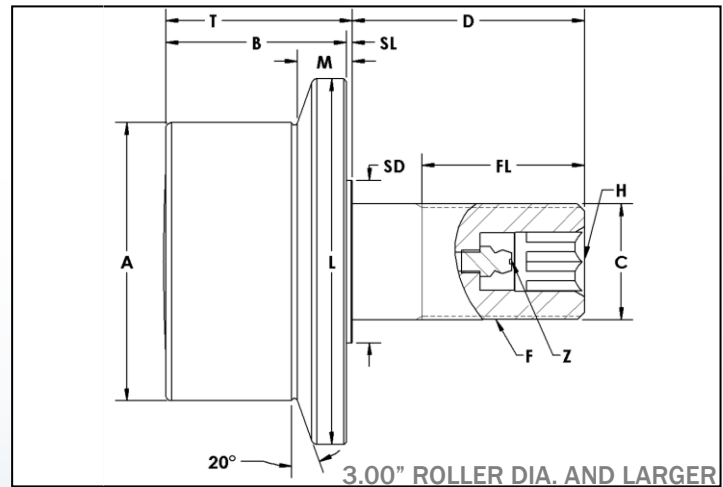


989.358.6148

www.pcimfg.com



THROUGH 2.75" ROLLER DIA



3.00" ROLLER DIA. AND LARGER

Stud Type Track Roller Part Number	A	B	C	D	F	FL	H	L	M	SD	SL	T	Y	YL	Z
	Roller Dia. +.000 -.001	Roller Width	Stud Dia. +.000 -.001	Stud Length	Thread Size	Thread Length	Hex Size	Flange Dia	Flange Width	Shoulder Dia.	Shoulder Length	Roller Width + Shoulder Length	Wrench Flat	Wrench Flat Length	Lube Size
FTR-1.00-R	1.000	0.75	0.437	1.00	7/16 - 20	0.50	-	1.38	0.22	0.5	0.03	0.78	0.312	0.250	1/8 Drive
FTR-1.125-R	1.125	0.75	0.437	1.00	7/16 - 20	0.50	-	1.50	0.22	0.5	0.03	0.78	0.312	0.250	1/8 Drive
FTR-1.25-R	1.250	0.81	0.500	1.25	1/2 - 20	0.63	-	1.56	0.22	0.6	0.03	0.84	0.375	0.250	1/8 Drive
FTR-1.375-R	1.375	0.81	0.500	1.25	1/2 - 20	0.63	-	1.69	0.22	0.6	0.03	0.84	0.375	0.250	1/8 Drive
FTR-1.50-2-R	1.500	1.00	0.500	1.38	1/2 - 20	0.75	-	2.00	0.34	0.6	0.06	1.06	0.375	0.250	1/8 Drive
FTR-1.50-R	1.500	1.13	0.625	1.50	5/8 - 18	0.75	-	2.19	0.34	0.8	0.06	1.19	0.500	0.375	1/4-28 UNF
FTR-1.75-R	1.750	1.13	0.750	1.75	3/4 - 16	0.88	-	2.44	0.34	0.9	0.06	1.19	0.625	0.375	1/8-27 NPT
FTR-2.00-R	2.000	1.63	0.875	2.00	7/8 - 14	1.13	-	2.69	0.59	1.0	0.06	1.69	0.625	0.375	1/8-27 NPT
FTR-2.00-9-R	2.000	1.63	0.875	2.00	7/8 - 14	1.13	-	2.69	0.59*	1.0	0.06	1.69	0.625	0.375	1/8-27 NPT
FTR-2.25-R	2.250	1.63	0.875	2.00	7/8 - 14	1.13	-	2.94	0.59	1.0	0.06	1.69	0.625	0.375	1/8-27 NPT
FTR-2.50-R	2.500	1.63	1.000	2.25	1 - 14	1.50	-	3.19	0.59	1.2	0.06	1.69	0.875	0.375	1/8-27 NPT
FTR-2.50E-R	2.500	1.75	1.000	2.25	1 - 14	1.50	-	3.19	0.59	1.3	0.06	1.81	0.875	0.375	1/8-27 NPT
FTR-2.75-R	2.750	1.63	1.000	2.25	1 - 14	1.50	-	3.44	0.59	1.2	0.06	1.69	0.875	0.375	1/8-27 NPT
FTR-2.75E-R	2.750	1.75	1.000	2.25	1 - 14	1.50	-	3.44	0.59	1.3	0.06	1.81	0.875	0.375	1/8-27 NPT
FTR-3.00A-R	3.000	1.94	1.250	2.50	1 1/4 - 12	1.75	5/8	3.94	0.59	1.5	0.06	2.00	-	-	1/4-28 UNF
FTR-3.00-R	3.000	1.94	1.250	2.50	1 1/4 - 12	1.75	5/8	3.94	0.59	1.8	0.06	2.00	-	-	1/4-28 UNF
FTR-3.25A-R	3.250	1.94	1.250	2.50	1 1/4 - 12	1.75	5/8	4.19	0.59	1.5	0.06	2.00	-	-	1/4-28 UNF
FTR-3.25-R	3.250	1.94	1.250	2.50	1 1/4 - 12	1.75	5/8	4.19	0.59	1.8	0.06	2.00	-	-	1/4-28 UNF
FTR-3.50A-R	3.500	1.94	1.250	2.75	1 1/4 - 12	1.75	5/8	4.44	0.59	1.5	0.06	2.00	-	-	1/4-28 UNF
FTR-3.50-R	3.500	1.94	1.250	2.75	1 1/4 - 12	1.75	5/8	4.44	0.59	1.8	0.06	2.00	-	-	1/4-28 UNF
FTR-4.00A-R	4.000	1.94	1.250	2.75	1 1/4 - 12	1.75	5/8	4.94	0.59	1.5	0.06	2.00	-	-	1/4-28 UNF
FTR-4.00-R	4.000	1.94	1.250	2.75	1 1/4 - 12	1.75	5/8	4.94	0.59	1.8	0.06	2.00	-	-	1/4-28 UNF
FTR-4.50-R	4.500	1.94	1.250	2.75	1 1/4 - 12	1.75	5/8	5.44	0.59	1.8	0.06	2.00	-	-	1/4-28 UNF
FTR-4.75-R	4.750	1.94	1.250	2.75	1 1/4 - 12	1.75	5/8	5.75	0.59	1.8	0.06	2.00	-	-	1/4-28 UNF
FTR-5.00-R	5.000	2.94	2.000	4.50	2 - 12	2.50	5/8	5.94	0.72	3.0	0.06	3.00	-	-	1/4-28 UNF
FTR-6.00-R	6.000	2.94	2.500	5.50	2 1/2 - 12	3.25	5/8	6.94	0.72	3.5	0.06	3.00	-	-	1/4-28 UNF
FTR-7.00-R	7.000	2.94	2.500	5.50	2 1/2 - 12	3.25	5/8	7.94	0.72	3.5	0.06	3.00	-	-	1/4-28 UNF
FTR-8.00-R	8.000	2.94	2.500	5.50	2 1/2 - 12	3.25	5/8	8.94	0.72	3.5	0.06	3.00	-	-	1/4-28 UNF
FTR-10.00-R	10.000	2.94	2.500	5.50	2 1/2 - 12	3.25	5/8	10.94	0.72	3.5	0.06	3.00	-	-	1/4-28 UNF

*FTR-2.00-9 has a 90° Square Flange in place of the standard 20° Flange

FTR-R Series Track Roller Assembly

Flanged – Stud Type Concentric

Ball & Tapered Roller Bearings - Regreasable



989.358.6148

www.pcimfg.com



ADDITIONAL NOTES

*For lubricated threads, use half the maximum clamping torque value shown.

DGGB: Deep Groove Ball Bearings – Alloy Steel
 TRB: Tapered Roller Bearings – Alloy Steel

Jam Nut & Lock Washer sets are available at an additional cost.

Specifications subject to change without notice.

Stud Type Track Roller Part Number	Basic Radial Dynamic Load Rating (lbs) C	Basic Radial Static Load Rating (lbs) Co	Thrust Dynamic Load Rating (lbs)	Thrust Static Load Rating (lbs)	Stud Capacity (lbs)	Retaining Ring Capacity (lbs)	Max. Clamping Torque (in-lbs)*	Seal Type	Bearing Type	Approx. Roller Weight (lbs)
FTR-1.00-R	956	480	331	60	380	470	180	Rubber Lip	DGGB	0.20
FTR-1.125-R	956	480	331	60	380	470	180	Rubber Lip	DGGB	0.24
FTR-1.25-R	1,231	640	430	80	700	470	180	Rubber Lip	DGGB	0.32
FTR-1.375-R	1,231	640	430	80	700	470	180	Rubber Lip	DGGB	0.37
FTR-1.50-2-R	1,857	1,075	662	134	740	470	250	Rubber Lip	DGGB	0.66
FTR-1.50-R	2,651	1,394	1,101	348	1,220	550	350	Rubber Lip	DGGB	0.66
FTR-1.75-R	2,651	1,394	1,101	348	1,210	550	650	Rubber Lip	DGGB	0.97
FTR-2.00-R	3,624	2,136	1,563	534	2,840	900	650	Rubber Lip	DGGB	1.76
FTR-2.00-9-R	3,624	2,136	1,563	534	2,840	900	650	Rubber Lip	DGGB	1.76
FTR-2.25-R	3,624	2,136	1,563	534	3,480	900	650	Rubber Lip	DGGB	2.18
FTR-2.50-R	5,390	3,507	2,407	877	6,280	1,340	650	Rubber Lip	DGGB	2.70
FTR-2.50E-R	10,880	7,630	4,010	4,570	5,970	-	1,500	Rubber Dual Lip	TRB	2.79
FTR-2.75-R	5,390	3,507	2,407	877	6,540	1,340	650	Rubber Lip	DGGB	3.20
FTR-2.75E-R	10,880	7,630	4,010	4,570	6,200	-	1,500	Rubber Dual Lip	TRB	3.29
FTR-3.00A-R	7,393	5,036	3,358	1,259	10,800	1,950	1,500	Rubber Lip	DGGB	4.60
FTR-3.00-R	14,300	20,000	5,790	12,000	10,800	-	1,500	Rubber Dual Lip	TRB	4.72
FTR-3.25A-R	7,393	5,036	3,358	1,259	10,800	1,950	1,500	Rubber Lip	DGGB	5.34
FTR-3.25-R	14,300	20,000	5,790	12,000	10,800	-	1,500	Rubber Dual Lip	TRB	5.54
FTR-3.50A-R	7,393	5,036	3,358	1,259	10,800	1,950	1,500	Rubber Lip	DGGB	6.08
FTR-3.50-R	14,300	20,000	5,790	12,000	10,800	-	1,500	Rubber Dual Lip	TRB	6.27
FTR-4.00A-R	7,393	5,036	3,358	1,259	10,800	1,950	1,500	Rubber Lip	DGGB	7.92
FTR-4.00-R	14,300	20,000	5,790	12,000	10,800	-	1,500	Rubber Dual Lip	TRB	8.22
FTR-4.50-R	14,300	20,000	5,790	12,000	10,800	-	1,500	Rubber Dual Lip	TRB	10.16
FTR-4.75-R	14,300	20,000	5,790	12,000	10,800	-	1,500	Rubber Dual Lip	TRB	11.22
FTR-5.00-R	35,870	58,400	13,310	32,100	30,800	-	1,500	Rubber Dual Lip	TRB	20.22
FTR-6.00-R	35,830	56,200	14,150	32,900	60,150	-	1,500	Rubber Dual Lip	TRB	30.72
FTR-7.00-R	35,830	56,200	14,150	32,900	60,150	-	1,500	Rubber Dual Lip	TRB	38.01
FTR-8.00-R	35,830	56,200	14,150	32,900	60,150	-	1,500	Rubber Dual Lip	TRB	49.33
FTR-10.00-R	35,830	56,200	14,150	32,900	60,150	-	1,500	Rubber Dual Lip	TRB	72.86