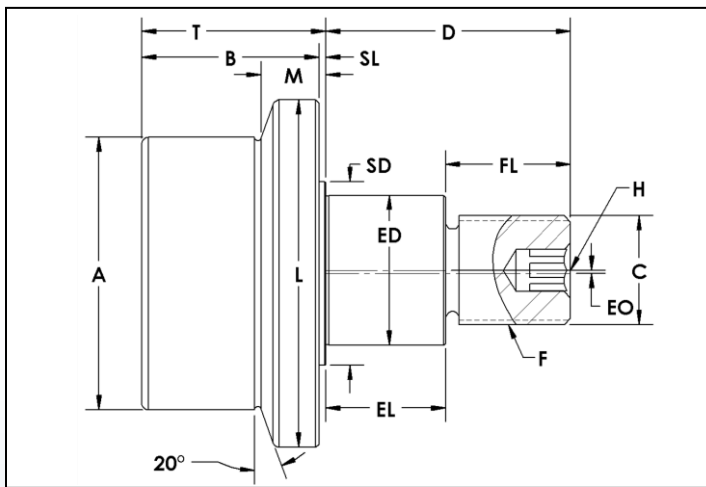


FTRE Series Track Roller Assembly

Flanged – Stud Type Eccentric
Ball & Tapered Roller Bearings

PCT[®]
989.358.6148
www.pcimfg.com



Stud Type Track Roller Part Number	A	B	C	D	ED	EL	EO	F	FL	H	L	M	SD	SL	T
	Roller Dia. +0.000 -0.001	Roller Width	Stud Dia.	Stud Length	Ecc Dia +0.000 -0.002	Ecc Length	Ecc Offset	Thread Size	Thread Length	Hex Size	Flange Dia	Flange Width	Shoulder Dia.	Shoulder Length	Roller Width + Shoulder Length
FTRE-1.00	1.000	0.75	0.437	1.00	0.625	0.480	0.030	7/16 - 20	0.52	3/16	1.38	0.22	0.7	0.03	0.78
FTRE-1.125	1.125	0.75	0.437	1.00	0.625	0.480	0.030	7/16 - 20	0.52	3/16	1.50	0.22	0.7	0.03	0.78
FTRE-1.25	1.250	0.81	0.500	1.25	0.687	0.605	0.030	1/2 - 20	0.65	3/16	1.56	0.22	0.8	0.03	0.84
FTRE-1.375	1.375	0.81	0.500	1.25	0.687	0.605	0.030	1/2 - 20	0.65	3/16	1.69	0.22	0.8	0.03	0.84
FTRE-1.50-2	1.500	1.00	0.500	1.38	0.687	0.605	0.030	1/2 - 20	0.75	1/4	2.00	0.34	0.8	0.06	1.06
FTRE-1.50	1.500	1.13	0.625	1.50	0.875	0.730	0.030	5/8 - 18	0.77	5/16	2.19	0.34	1.1	0.06	1.19
FTRE-1.75	1.750	1.13	0.750	1.75	1.000	0.855	0.030	3/4 - 16	0.90	5/16	2.44	0.34	1.3	0.06	1.19
FTRE-2.00	2.000	1.63	0.875	2.00	1.187	0.980	0.030	7/8 - 14	1.02	5/16	2.69	0.59	1.5	0.06	1.69
FTRE-2.00-9	2.000	1.63	0.875	2.00	1.187	0.980	0.030	7/8 - 14	1.02	5/16	2.69	0.59*	1.5	0.06	1.69
FTRE-2.25	2.250	1.63	0.875	2.00	1.187	0.980	0.030	7/8 - 14	1.02	5/16	2.94	0.59	1.5	0.06	1.69
FTRE-2.50	2.500	1.63	1.000	2.25	1.375	1.105	0.030	1 - 14	1.15	3/8	3.19	0.59	1.7	0.06	1.69
FTRE-2.50E	2.500	1.75	1.000	2.25	1.375	1.105	0.030	1 - 14	1.15	3/8	3.19	0.59	1.7	0.06	1.81
FTRE-2.75	2.750	1.63	1.000	2.25	1.375	1.105	0.030	1 - 14	1.15	3/8	3.44	0.59	1.7	0.06	1.69
FTRE-2.75E	2.750	1.75	1.000	2.25	1.375	1.105	0.030	1 - 14	1.15	3/8	3.44	0.59	1.7	0.06	1.81
FTRE-3.00A	3.000	1.94	1.250	2.50	1.750	1.230	0.060	1 1/4 - 12	1.27	1/2	3.94	0.59	2.2	0.06	2.00
FTRE-3.00	3.000	1.94	1.250	2.50	1.750	1.230	0.060	1 1/4 - 12	1.27	1/2	3.94	0.59	2.2	0.06	2.00
FTRE-3.25A	3.250	1.94	1.250	2.50	1.750	1.230	0.060	1 1/4 - 12	1.27	1/2	4.19	0.59	2.2	0.06	2.00
FTRE-3.25	3.250	1.94	1.250	2.50	1.750	1.230	0.060	1 1/4 - 12	1.27	1/2	4.19	0.59	2.2	0.06	2.00
FTRE-3.50A	3.500	1.94	1.250	2.75	1.812	1.355	0.060	1 1/4 - 12	1.40	1/2	4.44	0.59	2.2	0.06	2.00
FTRE-3.50	3.500	1.94	1.250	2.75	1.812	1.355	0.060	1 1/4 - 12	1.40	1/2	4.44	0.59	2.2	0.06	2.00
FTRE-4.00A	4.000	1.94	1.250	2.75	1.812	1.355	0.060	1 1/4 - 12	1.40	1/2	4.94	0.59	2.2	0.06	2.00
FTRE-4.00	4.000	1.94	1.250	2.75	1.812	1.355	0.060	1 1/4 - 12	1.40	1/2	4.94	0.59	2.2	0.06	2.00
FTRE-4.50	4.500	1.94	1.250	2.75	1.812	1.355	0.060	1 1/4 - 12	1.40	1/2	5.44	0.59	2.2	0.06	2.00
FTRE-4.75	4.750	1.94	1.250	2.75	1.812	1.355	0.060	1 1/4 - 12	1.40	1/2	5.75	0.59	2.2	0.06	2.00
FTRE-5.00	5.000	2.94	2.000	4.50	2.625	2.125	0.060	2 - 12	2.38	5/8	5.94	0.72	3.3	0.06	3.00
FTRE-6.00	6.000	2.94	2.500	5.50	3.125	2.875	0.060	2 1/2 - 12	2.63	5/8	6.94	0.72	3.6	0.06	3.00

*FTR-2.00-9 has a 90° Square Flange in place of the standard 20° Flange

FTRE Series Track Roller Assembly

Flanged – Stud Type Eccentric
Ball & Tapered Roller Bearings



989.358.6148

www.pcimfg.com



ADDITIONAL NOTES

*For lubricated threads, use half the maximum clamping torque value shown.

DGGB: Deep Groove Ball Bearings – Alloy Steel
TRB: Tapered Roller Bearings – Alloy Steel

Jam Nut & Lock Washer sets are available at an additional cost.

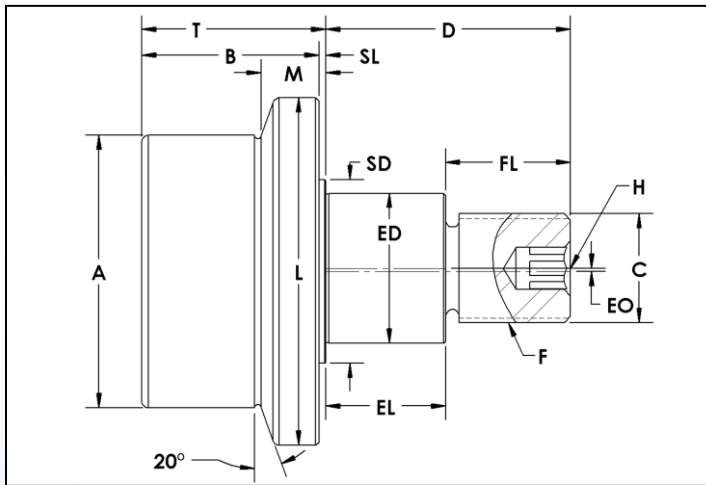
Specifications subject to change without notice.

Stud Type Track Roller Part Number	Basic Radial Dynamic Load Rating (lbs) C	Basic Radial Static Load Rating (lbs) Co	Thrust Dynamic Load Rating (lbs)	Thrust Static Load Rating (lbs)	Stud Capacity (lbs)	Retaining Ring Capacity (lbs)	Max. Clamping Torque (in-lbs)*	Seal Type	Bearing Type	Approx. Roller Weight (lbs)
FTRE-1.00	956	480	331	60	380	470	250	Rubber Lip	DGGB	0.22
FTRE-1.125	956	480	331	60	380	470	250	Rubber Lip	DGGB	0.27
FTRE-1.25	1,231	640	430	80	710	470	250	Rubber Lip	DGGB	0.34
FTRE-1.375	1,231	640	430	80	710	470	250	Rubber Lip	DGGB	0.41
FTRE-1.50-2	1,857	1,075	662	134	740	470	350	Rubber Lip	DGGB	0.59
FTRE-1.50	2,651	1,394	1,101	348	1,220	550	650	Rubber Lip	DGGB	0.76
FTRE-1.75	2,651	1,394	1,101	348	1,220	550	650	Rubber Lip	DGGB	1.08
FTRE-2.00	3,624	2,136	1,563	534	2,840	900	650	Rubber Lip	DGGB	1.96
FTRE-2.00-9	3,624	2,136	1,563	534	2,840	900	650	Rubber Lip	DGGB	2.00
FTRE-2.25	3,624	2,136	1,563	534	3,490	900	650	Rubber Lip	DGGB	2.37
FTRE-2.50	5,390	3,507	2,407	877	6,280	1,340	650	Rubber Lip	DGGB	2.87
FTRE-2.50E	10,880	7,630	4,010	4,570	5,970	-	1,500	Rubber Dual Lip	TRB	3.06
FTRE-2.75	5,390	3,507	2,407	877	6,540	1,340	650	Rubber Lip	DGGB	3.38
FTRE-2.75E	10,880	7,630	4,010	4,570	6,200	-	1,500	Rubber Dual Lip	TRB	3.47
FTRE-3.00A	7,393	5,036	3,358	1,259	10,800	1,950	1,500	Rubber Lip	DGGB	5.15
FTRE-3.00	14,300	20,000	5,790	12,000	10,800	-	1,500	Rubber Dual Lip	TRB	5.19
FTRE-3.25A	7,393	5,036	3,358	1,259	10,800	1,950	1,500	Rubber Lip	DGGB	5.85
FTRE-3.25	14,300	20,000	5,790	12,000	10,800	-	1,500	Rubber Dual Lip	TRB	5.90
FTRE-3.50A	7,393	5,036	3,358	1,259	10,800	1,950	1,500	Rubber Lip	DGGB	6.87
FTRE-3.50	14,300	20,000	5,790	12,000	10,800	-	1,500	Rubber Dual Lip	TRB	6.85
FTRE-4.00A	7,393	5,036	3,358	1,259	10,800	1,950	1,500	Rubber Lip	DGGB	8.48
FTRE-4.00	14,300	20,000	5,790	12,000	10,800	-	1,500	Rubber Dual Lip	TRB	8.82
FTRE-4.50	14,300	20,000	5,790	12,000	10,800	-	1,500	Rubber Dual Lip	TRB	10.52
FTRE-4.75	14,300	20,000	5,790	12,000	10,800	-	1,500	Rubber Dual Lip	TRB	11.47
FTRE-5.00	35,870	58,400	13,310	32,100	30,800	-	1,500	Rubber Dual Lip	TRB	21.62
FTRE-6.00	35,830	56,200	14,150	32,900	60,150	-	1,500	Rubber Dual Lip	TRB	32.75

MFTRE Series Track Roller Assembly

Metric - Flanged – Stud Type Eccentric
Ball & Tapered Roller Bearings

PCT[®]
989.358.6148
www.pcimfg.com



Stud Type Track Roller Part Number	A	B	C	D	ED	EL	EO	F	FL	H	L	M	SD	SL	T
	Roller Dia. +0.00 -0.03 (mm)	Roller Width (mm)	Stud Dia. +0.00 -0.03 (mm)	Stud Length (mm)	Ecc Dia +0.000 -0.002 (mm)	Ecc Length (mm)	Ecc Offset (mm)	Thread Size	Thread Length (mm)	Hex Size (mm)	Flange Dia (mm)	Flange Width (mm)	Shoulder Dia. (mm)	Shoulder Length (mm)	Roller Width + Shoulder Length (mm)
MFTRE-26	26	19.2	10	23	13	10	0.5	M10 X 1	13	4	35	9	17.1	0.8	20
MFTRE-30	30	19.2	12	25	15	11	0.5	M12 X 1.5	14	4	40	8	17.5	0.8	20
MFTRE-32	32	21.2	12	25	15	11	0.5	M12 X 1.5	14	4	42	8	17.5	0.8	22
MFTRE-35	35	21.2	16	32.5	20	14.5	1	M16 X 2	18	8	46	14	23.8	0.8	22
MFTRE-40	40	28.4	14	40	22	13	1	M14 X 2	26	6	54	11	28.5	1.6	30
MFTRE-40-1	40	26	18	36.5	22	16.0	1	M18 X 1.5	19	8	54	14	28.5	1.6	27.6
MFTRE-47	47	26	20	40.5	24	18.0	1	M20 X 1.5	21	8	61	14	32	1.6	27.6
MFTRE-50	50	38.4	16	50	24	18	1	M16 X 2	35	8	68	14	32	1.6	40
MFTRE-52	52	32	20	40.5	24	18.0	1	M20 X 1.5	21	8	66	14	32	1.6	33.6
MFTRE-62	62	42.4	24	58	28	20	1.5	M24 X 3	35	8	78	14	43	1.6	44
MFTRE-62-1	62	42	24	49.5	28	22.0	1	M24 X 1.5	25	8	78	14	43	1.6	44
MFTRE-72	72	42.4	20	50	28	22	1	M20 X 1.5	25	8	90	14	38	1.6	44
MFTRE-76	76	50	24	69.5	35	29	1.5	M24 X 1.5	40	12	98	14	50	1.6	52
MFTRE-80	80	50.4	24	70	35	29	2	M24 X 1.5	40	12	102	14	50	1.6	52
MFTRE-85	85	50	24	69.5	35	29	1.5	M24 X 1.5	40	12	107	14	50	1.6	52
MFTRE-90	90	50.4	24	70	35	29	2	M24 X 1.5	40	12	112	14	50	1.6	52
MFTRE-100-1	100	50	24	69.5	35	29	1.5	M24 X 1.5	40	12	125	14	50	1.6	52
MFTRE-100	100	50.4	24	80	35	29	2	M24 X 1.5	50	12	125	14	50	1.6	52
MFTRE-125	125	74	48	105	64	50	2	M48 X 5	60	12	148	18	89	1.6	76
MFTRE-150	150	74.4	64	140	80	65	2	M64 X 6	82	12	173	18	89	1.6	76

MFTRE Series Track Roller Assembly

Metric - Flanged – Stud Type Eccentric
Ball & Tapered Roller Bearings



ADDITIONAL NOTES

*For lubricated threads, use half the maximum clamping torque value shown.

DGBB: Deep Groove Ball Bearings – Alloy Steel
TRB: Tapered Roller Bearings – Alloy Steel

Jam Nut & Lock Washer sets are available at an additional cost.

Specifications subject to change without notice.

Stud Type Track Roller Part Number	Basic Radial Dynamic Load Rating (N) C	Basic Radial Static Load Rating (N) C	Thrust Dynamic Load Rating (N)	Thrust Static Load Rating (N)	Stud Capacity (N)	Retaining Ring Capacity (N)	Max. Clamping Torque (Nm)*	Seal Type	Bearing Type	Approx. Roller Weight (Kg)
MFTRE-26	4,250	2,130	1,470	265	2,600	2,090	20	Rubber Lip	DGBB	0.1
MFTRE-30	4,250	2,130	1,470	265	2,600	2,090	20	Rubber Lip	DGBB	0.1
MFTRE-32	5,470	2,840	1,900	350	4,300	2,090	20	Rubber Lip	DGBB	0.2
MFTRE-35	5,470	2,840	1,900	350	4,300	2,090	20	Rubber Lip	DGBB	0.2
MFTRE-40	11,790	6,200	4,890	1,540	7,400	2,440	20	Rubber Lip	DGBB	0.3
MFTRE-40-1	11,790	6,200	4,890	1,540	7,400	2,440	20	Rubber Lip	DGBB	0.2
MFTRE-47	11,790	6,200	4,890	1,540	7,400	2,440	20	Rubber Lip	DGBB	0.5
MFTRE-50	16,120	9,500	6,950	2,375	20,700	4,000	68	Rubber Lip	DGBB	0.7
MFTRE-52	16,120	9,500	6,950	2,375	20,700	4,000	68	Rubber Lip	DGBB	0.8
MFTRE-62	20,732	13,398	9,236	3,350	21,200	5,960	68	Rubber Lip	DGBB	1.2
MFTRE-62-1	20,732	13,398	9,236	3,350	21,200	5,960	68	Rubber Lip	DGBB	1.2
MFTRE-72	48,300	33,950	17,800	20,330	20,820	-	68	Rubber Dual Lip	TRB	1.3
MFTRE-76	63,600	89,000	25,700	53,400	52,780	-	136	Rubber Dual Lip	TRB	2.2
MFTRE-80	63,600	89,000	25,700	53,400	52,780	-	136	Rubber Dual Lip	TRB	2.4
MFTRE-85	63,600	89,000	25,700	53,400	52,780	-	136	Rubber Dual Lip	TRB	2.8
MFTRE-90	63,600	89,000	25,700	53,400	52,780	-	136	Rubber Dual Lip	TRB	3.0
MFTRE-100-1	63,600	89,000	25,700	53,400	52,780	-	136	Rubber Dual Lip	TRB	3.7
MFTRE-100	63,600	89,000	25,700	53,400	52,780	-	136	Rubber Dual Lip	TRB	3.5
MFTRE-125	159,000	259,700	59,000	142,700	143,500	-	136	Rubber Dual Lip	TRB	8.9
MFTRE-150	159,000	249,000	62,900	146,300	411,900	-	136	Rubber Dual Lip	TRB	13.1

FTRE-R Series Track Roller Assembly

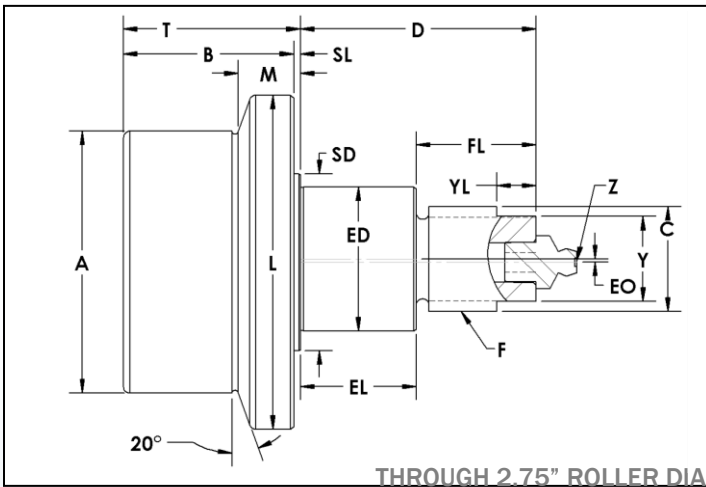
Flanged – Stud Type Eccentric

Ball & Tapered Roller Bearings - Regreasable

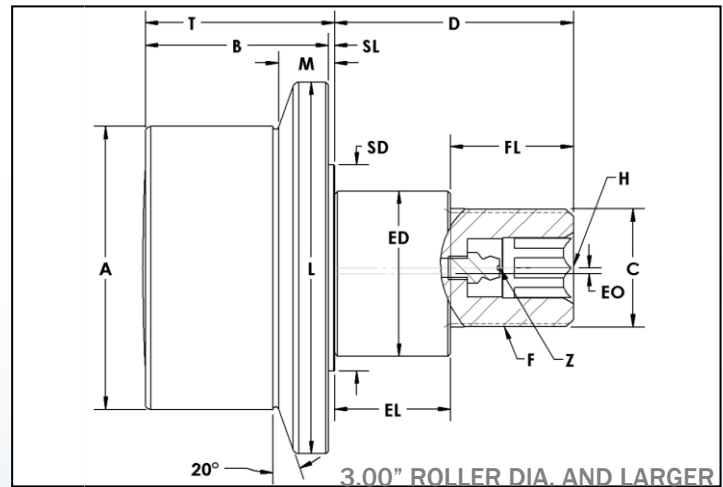


989.358.6148

www.pcimfg.com



THROUGH 2.75" ROLLER DIA



3.00" ROLLER DIA. AND LARGER

Stud Type Track Roller Part Number	A	B	C	D	ED	EL	EO	F	FL	H	L	M	SD	SL	T	Y	YL	Z
	Roller Dia. +0.00 -0.01	Roller Width	Stud Dia.	Stud Length	Ecc Dia +0.00 -0.002	Ecc Length	Ecc Offset	Thread Size	Thread Length	Hex Size	Flange Dia	Flange Width	Shoulder Dia.	Shoulder Length	Roller Width + Shoulder Length	Wrench Flat	Wrench Flat Length	Lube Size
FTRE-1.00-R	1.000	0.75	0.437	1.00	0.625	0.480	0.030	7/16 - 20	0.52	-	1.38	0.22	0.7	0.03	0.78	0.312	0.250	1/8 Drive
FTRE-1.125-R	1.125	0.75	0.437	1.00	0.625	0.480	0.030	7/16 - 20	0.52	-	1.50	0.22	0.7	0.03	0.78	0.312	0.250	1/8 Drive
FTRE-1.25-R	1.250	0.81	0.500	1.25	0.687	0.605	0.030	1/2 - 20	0.65	-	1.56	0.22	0.8	0.03	0.84	0.375	0.250	1/8 Drive
FTRE-1.375-R	1.375	0.81	0.500	1.25	0.687	0.605	0.030	1/2 - 20	0.65	-	1.69	0.22	0.8	0.03	0.84	0.375	0.250	1/8 Drive
FTRE-1.50-2-R	1.500	1.00	0.500	1.38	0.687	0.605	0.030	1/2 - 20	0.75	-	2.00	0.34	0.8	0.06	1.06	0.375	0.250	1/8 Drive
FTRE-1.50-R	1.500	1.13	0.625	1.50	0.875	0.730	0.030	5/8 - 18	0.77	-	2.19	0.34	1.1	0.06	1.19	0.500	0.375	1/4-28 UNF
FTRE-1.75-R	1.750	1.13	0.750	1.75	1.000	0.855	0.030	3/4 - 16	0.90	-	2.44	0.34	1.3	0.06	1.19	0.625	0.375	1/8-27 NPT
FTRE-2.00-R	2.000	1.63	0.875	2.00	1.187	0.980	0.030	7/8 - 14	1.02	-	2.69	0.59	1.5	0.06	1.69	0.625	0.375	1/8-27 NPT
FTRE-2.00-9-R	2.000	1.63	0.875	2.00	1.187	0.980	0.030	7/8 - 14	1.02	-	2.69	0.59*	1.5	0.06	1.69	0.625	0.375	1/8-27 NPT
FTRE-2.25-R	2.250	1.63	0.875	2.00	1.187	0.980	0.030	7/8 - 14	1.02	-	2.94	0.59	1.5	0.06	1.69	0.625	0.375	1/8-27 NPT
FTRE-2.50-R	2.500	1.63	1.000	2.25	1.375	1.105	0.030	1 - 14	1.15	-	3.19	0.59	1.7	0.06	1.69	0.875	0.375	1/8-27 NPT
FTRE-2.50E-R	2.500	1.75	1.000	2.25	1.375	1.105	0.030	1 - 14	1.15	-	3.19	0.59	1.7	0.06	1.81	0.875	0.375	1/8-27 NPT
FTRE-2.75-R	2.750	1.63	1.000	2.25	1.375	1.105	0.030	1 - 14	1.15	-	3.44	0.59	1.7	0.06	1.69	0.875	0.375	1/8-27 NPT
FTRE-2.75E-R	2.750	1.75	1.000	2.25	1.375	1.105	0.030	1 - 14	1.15	-	3.44	0.59	1.7	0.06	1.81	0.875	0.375	1/8-27 NPT
FTRE-3.00A-R	3.000	1.94	1.250	2.50	1.750	1.230	0.060	1 1/4 - 12	1.27	5/8	3.94	0.59	2.2	0.06	2.00	-	-	1/4-28 UNF
FTRE-3.00-R	3.000	1.94	1.250	2.50	1.750	1.230	0.060	1 1/4 - 12	1.27	5/8	3.94	0.59	2.2	0.06	2.00	-	-	1/4-28 UNF
FTRE-3.25A-R	3.250	1.94	1.250	2.50	1.750	1.230	0.060	1 1/4 - 12	1.27	5/8	4.19	0.59	2.2	0.06	2.00	-	-	1/4-28 UNF
FTRE-3.25-R	3.250	1.94	1.250	2.50	1.750	1.230	0.060	1 1/4 - 12	1.27	5/8	4.19	0.59	2.2	0.06	2.00	-	-	1/4-28 UNF
FTRE-3.50A-R	3.500	1.94	1.250	2.75	1.812	1.355	0.060	1 1/4 - 12	1.40	5/8	4.44	0.59	2.2	0.06	2.00	-	-	1/4-28 UNF
FTRE-3.50-R	3.500	1.94	1.250	2.75	1.812	1.355	0.060	1 1/4 - 12	1.40	5/8	4.44	0.59	2.2	0.06	2.00	-	-	1/4-28 UNF
FTRE-4.00A-R	4.000	1.94	1.250	2.75	1.812	1.355	0.060	1 1/4 - 12	1.40	5/8	4.94	0.59	2.2	0.06	2.00	-	-	1/4-28 UNF
FTRE-4.00-R	4.000	1.94	1.250	2.75	1.812	1.355	0.060	1 1/4 - 12	1.40	5/8	4.94	0.59	2.2	0.06	2.00	-	-	1/4-28 UNF
FTRE-4.50-R	4.500	1.94	1.250	2.75	1.812	1.355	0.060	1 1/4 - 12	1.40	5/8	5.44	0.59	2.2	0.06	2.00	-	-	1/4-28 UNF
FTRE-4.75-R	4.750	1.94	1.250	2.75	1.812	1.355	0.060	1 1/4 - 12	1.40	5/8	5.75	0.59	2.2	0.06	2.00	-	-	1/4-28 UNF
FTRE-5.00-R	5.000	2.94	2.000	4.50	2.625	2.125	0.060	2 - 12	2.38	5/8	5.94	0.72	3.3	0.06	3.00	-	-	1/4-28 UNF
FTRE-6.00-R	6.000	2.94	2.500	5.50	3.125	2.875	0.060	2 1/2 - 12	2.63	5/8	6.94	0.72	3.6	0.06	3.00	-	-	1/4-28 UNF

*FTR-2.00-9 has a 90° Square Flange in place of the standard 20° Flange

FTRE-R Series Track Roller Assembly

Flanged – Stud Type Eccentric

Ball & Tapered Roller Bearings - Regreasable



989.358.6148

www.pcimfg.com



ADDITIONAL NOTES

*For lubricated threads, use half the maximum clamping torque value shown.

DGBB: Deep Groove Ball Bearings – Alloy Steel
TRB: Tapered Roller Bearings – Alloy Steel

Jam Nut & Lock Washer sets are available at an additional cost.

Specifications subject to change without notice.

Stud Type Track Roller Part Number	Basic Radial Dynamic Load Rating (lbs) C	Basic Radial Static Load Rating (lbs) Co	Thrust Dynamic Load Rating (lbs)	Thrust Static Load Rating (lbs)	Stud Capacity (lbs)	Retaining Ring Capacity (lbs)	Max. Clamping Torque (in-lbs)*	Seal Type	Bearing Type	Approx. Roller Weight (lbs)
FTRE-1.00-R	956	480	331	60	380	470	250	Rubber Lip	DGBB	0.22
FTRE-1.125-R	956	480	331	60	380	470	250	Rubber Lip	DGBB	0.27
FTRE-1.25-R	1,231	640	430	80	710	470	250	Rubber Lip	DGBB	0.34
FTRE-1.375-R	1,231	640	430	80	710	470	250	Rubber Lip	DGBB	0.41
FTRE-1.50-2-R	1,857	1,075	662	134	740	470	350	Rubber Lip	DGBB	0.59
FTRE-1.50-R	2,651	1,394	1,101	348	1,220	550	650	Rubber Lip	DGBB	0.76
FTRE-1.75-R	2,651	1,394	1,101	348	1,220	550	650	Rubber Lip	DGBB	1.08
FTRE-2.00-R	3,624	2,136	1,563	534	2,840	900	650	Rubber Lip	DGBB	1.96
FTRE-2.00-9-R	3,624	2,136	1,563	534	2,840	900	650	Rubber Lip	DGBB	2.00
FTRE-2.25-R	3,624	2,136	1,563	534	3,490	900	650	Rubber Lip	DGBB	2.37
FTRE-2.50-R	5,390	3,507	2,407	877	6,280	1,340	650	Rubber Lip	DGBB	2.87
FTRE-2.50E-R	10,880	7,630	4,010	4,570	5,970	-	1,500	Rubber Dual Lip	TRB	3.06
FTRE-2.75-R	5,390	3,507	2,407	877	6,540	1,340	650	Rubber Lip	DGBB	3.38
FTRE-2.75E-R	10,880	7,630	4,010	4,570	6,200	-	1,500	Rubber Dual Lip	TRB	3.47
FTRE-3.00A-R	7,393	5,036	3,358	1,259	10,800	1,950	1,500	Rubber Lip	DGBB	5.15
FTRE-3.00-R	14,300	20,000	5,790	12,000	10,800	-	1,500	Rubber Dual Lip	TRB	5.19
FTRE-3.25A-R	7,393	5,036	3,358	1,259	10,800	1,950	1,500	Rubber Lip	DGBB	5.85
FTRE-3.25-R	14,300	20,000	5,790	12,000	10,800	-	1,500	Rubber Dual Lip	TRB	5.90
FTRE-3.50A-R	7,393	5,036	3,358	1,259	10,800	1,950	1,500	Rubber Lip	DGBB	6.81
FTRE-3.50-R	14,300	20,000	5,790	12,000	10,800	-	1,500	Rubber Dual Lip	TRB	6.87
FTRE-4.00A-R	7,393	5,036	3,358	1,259	10,800	1,950	1,500	Rubber Lip	DGBB	8.48
FTRE-4.00-R	14,300	20,000	5,790	12,000	10,800	-	1,500	Rubber Dual Lip	TRB	8.82
FTRE-4.50-R	14,300	20,000	5,790	12,000	10,800	-	1,500	Rubber Dual Lip	TRB	10.52
FTRE-4.75-R	14,300	20,000	5,790	12,000	10,800	-	1,500	Rubber Dual Lip	TRB	11.47
FTRE-5.00-R	35,870	58,400	13,310	32,100	30,800	-	1,500	Rubber Dual Lip	TRB	21.62
FTRE-6.00-R	35,830	56,200	14,150	32,900	60,150	-	1,500	Rubber Dual Lip	TRB	32.75