

# FTRY Series Track Roller Assembly

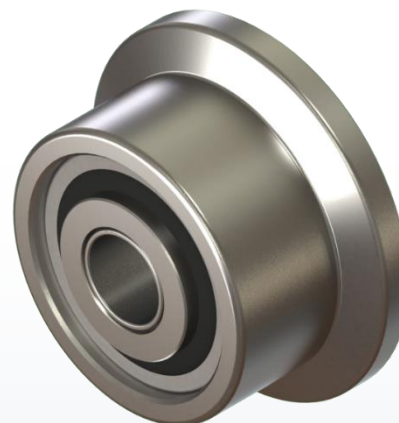
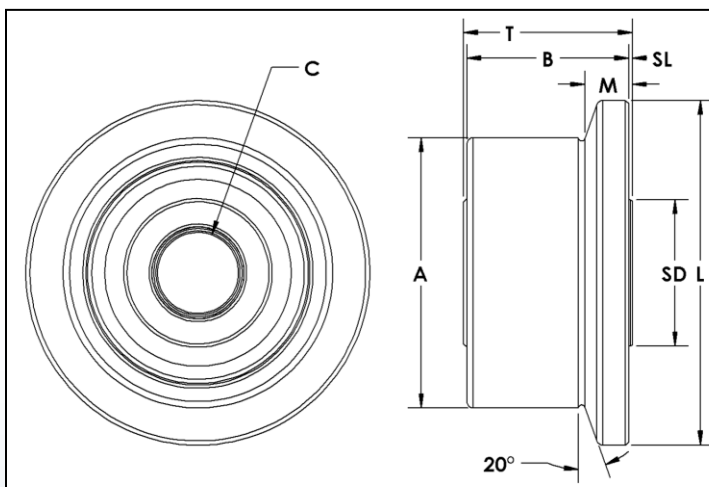
Flanged – Yoke Type

Ball & Tapered Roller Bearings



989.358.6148

www.pcimfg.com



Yoke Type Track Roller Part Number	A Roller Dia. +.000 -.001	B Roller Width	C Bore Dia. +.0007 -.0000	L Flange Dia	M Flange Width	SD Shoulder Dia.	SL Shoulder Length	T Inner Race Width +.005 -.010
FTRY-1.50	1.500	0.88	0.4380	2.19	0.22	0.9	0.03	0.937
FTRY-1.75	1.750	1.00	0.5005	2.44	0.25	0.9	0.03	1.063
FTRY-2.00	2.000	1.25	0.6255	2.69	0.31	1.1	0.03	1.313
FTRY-2.25	2.250	1.25	0.6255	2.94	0.31	1.1	0.03	1.313
FTRY-2.50	2.500	1.50	0.7505	3.19	0.50	1.2	0.03	1.563
FTRY-2.50E	2.500	1.50	0.7505	3.19	0.50	1.3	0.03	1.563
FTRY-2.75	2.750	1.50	0.7505	3.44	0.50	1.2	0.03	1.563
FTRY-2.75E	2.750	1.50	0.7505	3.44	0.50	1.3	0.03	1.563
FTRY-3.00A	3.000	1.75	1.0005	3.94	0.59	1.8	0.03	1.813
FTRY-3.00	3.000	1.75	1.0005	3.94	0.59	1.8	0.03	1.813
FTRY-3.25A	3.250	1.75	1.0005	4.19	0.59	1.8	0.03	1.813
FTRY-3.25	3.250	1.75	1.0005	4.19	0.59	1.8	0.03	1.813
FTRY-3.50A	3.500	2.00	1.1255	4.44	0.59	2.0	0.03	2.063
FTRY-3.50	3.500	2.00	1.1255	4.44	0.59	2.0	0.03	2.063
FTRY-4.00A	4.000	2.25	1.2505	4.94	0.59	2.0	0.03	2.313
FTRY-4.00	4.000	2.25	1.2505	4.94	0.59	2.0	0.03	2.313
FTRY-5.00	5.000	2.75	1.7508	5.94	0.72	3.2	0.06	2.875
FTRY-6.00	6.000	3.25	2.2508	6.94	0.72	3.5	0.06	3.375
FTRY-7.00	7.000	3.75	2.7508	7.94	0.72	4.1	0.06	3.875
FTRY-8.00	8.000	4.25	3.2560	8.94	0.72	4.7	0.13	4.500
FTRY-9.00	9.000	4.75	3.7560	9.94	0.72	5.3	0.13	5.000
FTRY-10.00	10.000	5.25	4.2560	10.94	0.72	6.5	0.13	5.500
FTRY-12.00	12.000	5.25	4.2560	12.94	0.72	6.5	0.13	5.500
FTRY-14.00	14.000	5.25	4.2560	14.94	0.72	6.5	0.13	5.500
FTRY-16.00	16.000	5.25	4.2560	16.94	0.72	6.5	0.13	5.500
FTRY-18.00	18.000	5.25	4.2560	18.94	0.72	6.5	0.13	5.500
FTRY-20.00	20.000	5.25	4.2560	20.94	0.72	6.5	0.13	5.500

Optional PCI Yoke Shaft	Optional PCI Eccentric Yoke Shaft
YSH-.437	YSHE-.437
YSH-.500	YSHE-.500
YSH-.625	YSHE-.625
YSH-.625	YSHE-.625
YSH-.750	YSHE-.750
YSH-.750	YSHE-.750
YSH-.750	YSHE-.750
YSH-.750	YSHE-.750
YSH-1.000	YSHE-1.000
YSH-1.000	YSHE-1.000
YSH-1.000	YSHE-1.000
YSH-1.000	YSHE-1.000
YSH-1.125	YSHE-1.125
YSH-1.125	YSHE-1.125
YSH-1.250	YSHE-1.250
YSH-1.250	YSHE-1.250
YSH-1.750	YSHE-1.750
YSH-2.250	YSHE-2.250
YSH-2.750	YSHE-2.750
YSH-3.250	-
YSH-3.750	-
YSH-4.250	-
YSH-4.250	-
YSH-4.250	-
YSH-4.250	-
YSH-4.250	-

# FTRY Series Track Roller Assembly

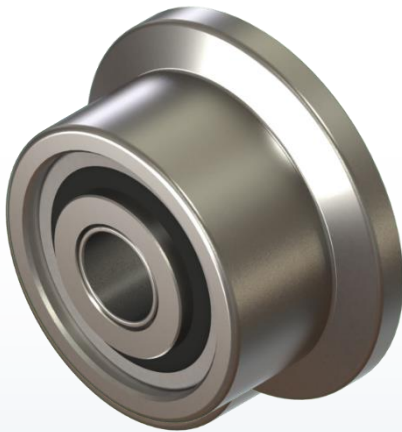
Flanged – Yoke Type

Ball & Tapered Roller Bearings



989.358.6148

www.pcimfg.com



## ADDITIONAL NOTES

DGGB: Deep Groove Ball Bearings – Alloy Steel

TRB: Tapered Roller Bearings – Alloy Steel

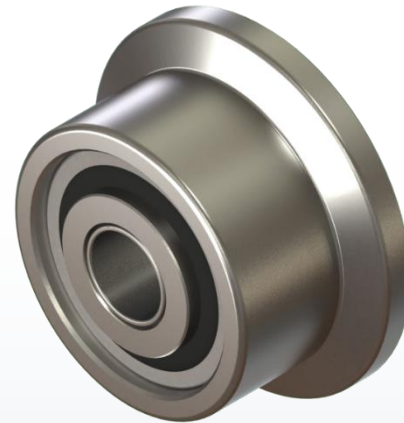
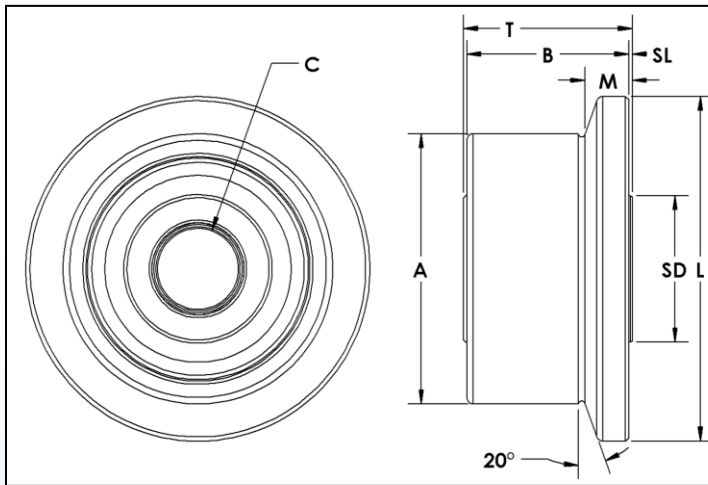
PCI Heavy Duty Yoke Shafts are available at an additional cost. See YSH page for details.

Specifications subject to change without notice.

Yoke Type Track Roller Part Number	Basic Radial Dynamic Load Rating (lbs) C	Basic Radial Static Load Rating (lbs) Co	Thrust Dynamic Load Rating (lbs)	Thrust Static Load Rating (lbs)	Seal Type	Bearing Type	Approx. Roller Weight (lbs)
FTRY-1.50	1,683	1,147	764	287	Rubber Lip	DGGB	0.37
FTRY-1.75	1,683	1,147	764	287	Rubber Lip	DGGB	0.59
FTRY-2.00	3,624	2,248	1,591	562	Rubber Lip	DGGB	1.07
FTRY-2.25	3,624	2,248	1,591	562	Rubber Lip	DGGB	1.4
FTRY-2.50	5,390	3,507	2,407	877	Rubber Lip	DGGB	1.84
FTRY-2.50E	10,880	7,630	4,010	4,570	Rubber Dual Lip	TRB	1.92
FTRY-2.75	5,390	3,507	2,407	877	Rubber Lip	DGGB	2.37
FTRY-2.75E	10,880	7,630	4,010	4,570	Rubber Dual Lip	TRB	2.39
FTRY-3.00A	6,118	4,586	2,884	1,147	Rubber Lip	DGGB	3.16
FTRY-3.00	14,300	20,000	5,790	12,000	Rubber Dual Lip	TRB	3.38
FTRY-3.25A	6,118	4,586	2,884	1,147	Rubber Lip	DGGB	3.83
FTRY-3.25	14,300	20,000	5,790	12,000	Rubber Dual Lip	TRB	4.03
FTRY-3.50A	6,483	5,216	3,145	1,304	Rubber Lip	DGGB	4.8
FTRY-3.50	17,600	27,200	5,750	13,100	Rubber Dual Lip	TRB	5.16
FTRY-4.00A	6,483	5,216	3,145	1,304	Rubber Lip	DGGB	7.05
FTRY-4.00	17,600	27,200	5,750	13,100	Rubber Dual Lip	TRB	7.72
FTRY-5.00	35,870	58,400	13,310	32,100	Rubber Dual Lip	TRB	13.57
FTRY-6.00	35,830	56,200	14,150	32,900	Rubber Dual Lip	TRB	21.49
FTRY-7.00	42,400	79,800	17,400	48,400	Rubber Lip	TRB	32.03
FTRY-8.00	83,700	159,800	39,000	110,000	Rubber Lip	TRB	46.65
FTRY-9.00	134,600	250,000	53,600	147,000	Rubber Lip	TRB	64.76
FTRY-10.00	137,300	276,000	62,000	194,000	Rubber Lip	TRB	86.44
FTRY-12.00	137,300	276,000	62,000	194,000	Rubber Lip	TRB	137.78
FTRY-14.00	137,300	276,000	62,000	194,000	Rubber Lip	TRB	197.83
FTRY-16.00	137,300	276,000	62,000	194,000	Rubber Lip	TRB	267.06
FTRY-18.00	137,300	276,000	62,000	194,000	Rubber Lip	TRB	345.47
FTRY-20.00	137,300	276,000	62,000	194,000	Rubber Lip	TRB	433.06

# MFTRY Series Track Roller Assembly

Metric - Flanged – Yoke Type  
Ball & Tapered Roller Bearings

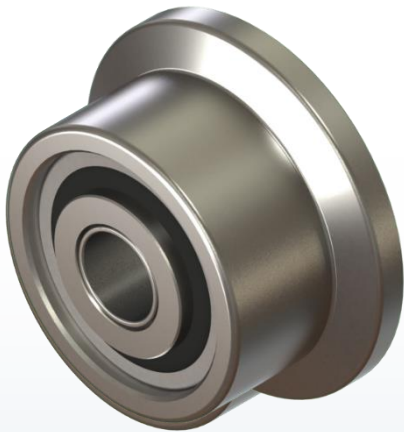


Yoke Type Track Roller Part Number	A	B	C	L	M	SD	SL	T
	Roller Dia. +.00 -.03 (mm)	Roller Width (mm)	Bore Dia. +.03 -.00 (mm)	Flange Dia (mm)	Flange Width (mm)	Shoulder Dia. (mm)	Shoulder Length (mm)	Inner Race Width +.13 -.25 (mm)
MFTRY-40	40	22	10	54	6	22	0.5	23
MFTRY-50	50	32	15	68	10	28	0.5	33
MFTRY-62	62	38	19	78	14	35	1	40
MFTRY-62-1	62	38	20	78	14	35	1	40
MFTRY-62E	62	38	20	78	14	32	1	40
MFTRY-72	72	38	19	90	14	35	1	40
MFTRY-76	76	44	25	98	14	45	1	46
MFTRY-80	80	44	25	102	14	45	1	46
MFTRY-85	85	44	25	107	14	45	1	46
MFTRY-90	90	54	30	112	14	57	1	56
MFTRY-100	100	54	30	122	14	57	1	56
MFTRY-125	125	68	45	148	18	83	1.5	71
MFTRY-150	150	70	55	173	18	89	1.5	73
MFTRY-200	200	76	70	223	18	108	1.5	79
MFTRY-250	250	76	70	273	18	108	1.5	79

Optional PCI Yoke Shaft	Optional PCI Eccentric Yoke Shaft
MYSH-10	MYSHE-10
MYSH-15	MYSHE-15
MYSH-19	MYSHE-19
MYSH-20	MYSHE-20
MYSH-20	MYSHE-20
MYSH-19	MYSHE-19
MYSH-25	MYSHE-25
MYSH-25	MYSHE-25
MYSH-25	MYSHE-25
MYSH-30	MYSHE-30
MYSH-30	MYSHE-30
MYSH-45	MYSHE-45
MYSH-55	MYSHE-55
MYSH-70	MYSHE-70
MYSH-70	MYSHE-70

# MFTRY Series Track Roller Assembly

Metric - Flanged – Yoke Type  
Ball & Tapered Roller Bearings



## ADDITIONAL NOTES

DGGB: Deep Groove Ball Bearings – Alloy Steel  
TRB: Tapered Roller Bearings – Alloy Steel

PCI Heavy Duty Yoke Shafts are available at an additional cost. See YSH page for details.

Specifications subject to change without notice.

Roller Diameter (mm)	Basic Radial Dynamic Load Rating (N) C	Basic Radial Static Load Rating (N) Co	Thrust Dynamic Load Rating (N)	Thrust Static Load Rating (N)	Seal Type	Bearing Type	Approx. Roller Weight (Kg)
MFTRY-40	7,480	5,100	3,390	1,270	Rubber Lip	DGGB	0.19
MFTRY-50	16,120	10,000	7,077	2,500	Rubber Lip	DGGB	0.45
MFTRY-62	19,270	13,100	8,750	3,270	Rubber Lip	DGGB	0.81
MFTRY-62-1	19,270	13,100	8,750	3,270	Rubber Lip	DGGB	0.80
MFTRY-62E	48,350	33,940	17,837	20,328	Rubber Dual Lip	TRB	1.62
MFTRY-72	23,970	15,600	10,700	3,900	Rubber Lip	DGGB	1.14
MFTRY-76	63,600	89,000	25,700	53,400	Rubber Dual Lip	TRB	1.42
MFTRY-80	63,600	89,000	25,700	53,400	Rubber Dual Lip	TRB	1.59
MFTRY-85	63,600	89,000	25,700	53,400	Rubber Dual Lip	TRB	1.82
MFTRY-90	78,200	120,990	25,570	58,270	Rubber Dual Lip	TRB	2.35
MFTRY-100	78,200	120,990	25,570	58,270	Rubber Dual Lip	TRB	3.00
MFTRY-125	159,000	259,700	59,000	142,700	Rubber Dual Lip	TRB	5.74
MFTRY-150	159,000	249,000	62,900	146,300	Rubber Dual Lip	TRB	7.95
MFTRY-200	257,000	366,000	108,000	131,000	Metallic Shield	TRB	15.15
MFTRY-250	257,000	366,000	108,000	131,000	Metallic Shield	TRB	25.70



# FTRY-R Series Track Roller Assembly

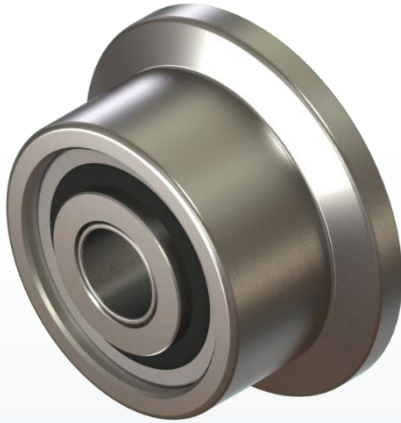
Flanged – Yoke Type

Ball & Tapered Roller Bearings - Regreasable



989.358.6148

www.pcimfg.com



## ADDITIONAL NOTES

DGBB: Deep Groove Ball Bearings – Alloy Steel

TRB: Tapered Roller Bearings – Alloy Steel

PCI Heavy Duty Yoke Shafts are available at an additional cost. See YSH page for details.

Specifications subject to change without notice.

Yoke Type Track Roller Part Number	Basic Radial Dynamic Load Rating (lbs) C	Basic Radial Static Load Rating (lbs) Co	Thrust Dynamic Load Rating (lbs)	Thrust Static Load Rating (lbs)	Seal Type	Bearing Type	Approx. Roller Weight (lbs)
FTRY-1.50-R	1,683	1,147	764	287	Rubber Lip	DGBB	0.37
FTRY-1.75-R	1,683	1,147	764	287	Rubber Lip	DGBB	0.59
FTRY-2.00-R	3,624	2,248	1,591	562	Rubber Lip	DGBB	1.07
FTRY-2.25-R	3,624	2,248	1,591	562	Rubber Lip	DGBB	1.4
FTRY-2.50-R	5,390	3,507	2,407	877	Rubber Lip	DGBB	1.84
FTRY-2.50E-R	10,880	7,630	4,010	4,570	Rubber Dual Lip	TRB	1.92
FTRY-2.75-R	5,390	3,507	2,407	877	Rubber Lip	DGBB	2.37
FTRY-2.75E-R	10,880	7,630	4,010	4,570	Rubber Dual Lip	TRB	2.39
FTRY-3.00A-R	6,118	4,586	2,884	1,147	Rubber Lip	DGBB	3.16
FTRY-3.00-R	14,300	20,000	5,790	12,000	Rubber Dual Lip	TRB	3.38
FTRY-3.25A-R	6,118	4,586	2,884	1,147	Rubber Lip	DGBB	3.83
FTRY-3.25-R	14,300	20,000	5,790	12,000	Rubber Dual Lip	TRB	4.03
FTRY-3.50A-R	6,483	5,216	3,145	1,304	Rubber Lip	DGBB	4.8
FTRY-3.50-R	17,600	27,200	5,750	13,100	Rubber Dual Lip	TRB	5.16
FTRY-4.00A-R	6,483	5,216	3,145	1,304	Rubber Lip	DGBB	7.05
FTRY-4.00-R	17,600	27,200	5,750	13,100	Rubber Dual Lip	TRB	7.72
FTRY-5.00-R	35,870	58,400	13,310	32,100	Rubber Dual Lip	TRB	13.57
FTRY-6.00-R	35,830	56,200	14,150	32,900	Rubber Dual Lip	TRB	21.49
FTRY-7.00-R	42,400	79,800	17,400	48,400	Rubber Lip	TRB	32.03
FTRY-8.00-R	83,700	159,800	39,000	110,000	Rubber Lip	TRB	46.65
FTRY-9.00-R	134,600	250,000	53,600	147,000	Rubber Lip	TRB	64.76
FTRY-10.00-R	137,300	276,000	62,000	194,000	Rubber Lip	TRB	86.44
FTRY-12.00-R	137,300	276,000	62,000	194,000	Rubber Lip	TRB	137.78
FTRY-14.00-R	137,300	276,000	62,000	194,000	Rubber Lip	TRB	197.83
FTRY-16.00-R	137,300	276,000	62,000	194,000	Rubber Lip	TRB	267.06
FTRY-18.00-R	137,300	276,000	62,000	194,000	Rubber Lip	TRB	345.47
FTRY-20.00-R	137,300	276,000	62,000	194,000	Rubber Lip	TRB	433.06