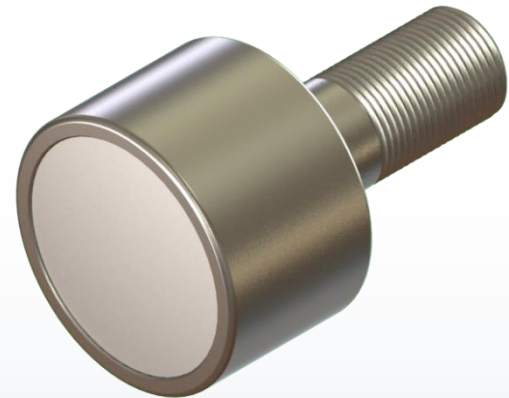
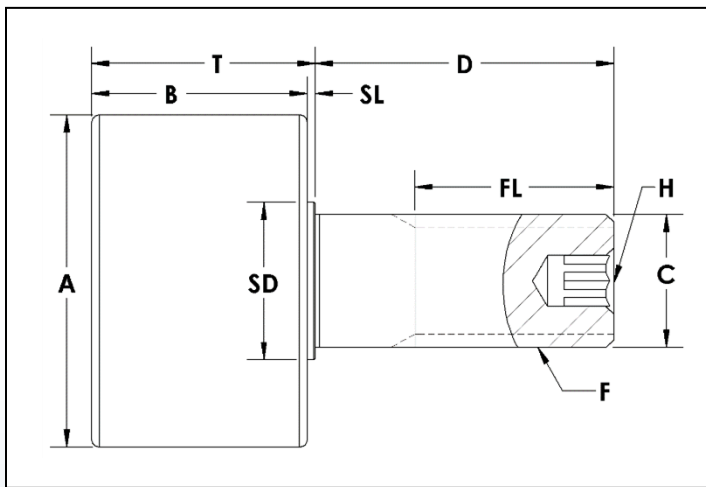


PTR Series Track Roller Assembly

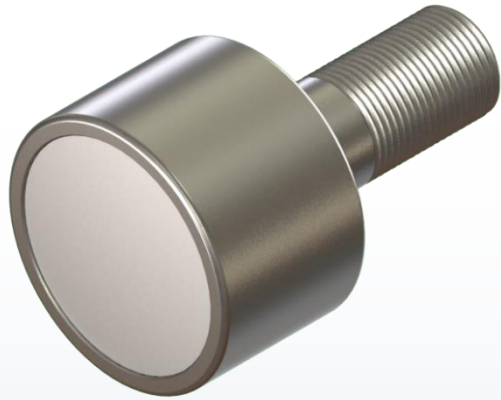
Plain/Cylindrical – Stud Type Concentric
Ball & Tapered Roller Bearings



Stud Type Track Roller Part Number	A Roller Dia. +.000 -.001	B Roller Width	C Stud Dia. +.000 -.001	D Stud Length	F Thread Size	FL Thread Length	H Hex Size	SD Shoulder Dia.	SL Shoulder Length	T Roller Width + Shoulder Length
PTR-1.00	1.000	0.75	0.437	1.00	7/16 - 20	0.50	3/16	0.5	0.03	0.78
PTR-1.125	1.125	0.75	0.437	1.00	7/16 - 20	0.50	3/16	0.5	0.03	0.78
PTR-1.25	1.250	0.81	0.500	1.25	1/2 - 20	0.63	3/16	0.6	0.03	0.84
PTR-1.375	1.375	0.81	0.500	1.25	1/2 - 20	0.63	3/16	0.6	0.03	0.84
PTR-1.50	1.500	1.13	0.625	1.50	5/8 - 18	0.75	5/16	0.8	0.06	1.19
PTR-1.75-5	1.750	1.13	0.500	0.88	1/2 - 13	0.75	-	.625(HEX)	0.32	1.44
PTR-1.75	1.750	1.13	0.750	1.75	3/4 - 16	0.88	5/16	0.9	0.06	1.19
PTR-2.00-2	2.000	1.32	0.875	2.00	7/8 - 14	1.13	5/16	1.0	0.06	1.38
PTR-2.00	2.000	1.63	0.875	2.00	7/8 - 14	1.13	5/16	1.0	0.06	1.69
PTR-2.25	2.250	1.63	0.875	2.00	7/8 - 14	1.13	5/16	1.0	0.06	1.69
PTR-2.50	2.500	1.63	1.000	2.25	1 - 14	1.50	3/8	1.2	0.06	1.69
PTR-2.50-10	2.500	1.63	1.000	2.25	1 - 14	1.50	3/8	1.2	0.19	1.81
PTR-2.50E	2.500	1.75	1.000	2.25	1 - 14	1.50	3/8	1.3	0.06	1.81
PTR-2.75	2.750	1.63	1.000	2.25	1 - 14	1.50	3/8	1.2	0.06	1.69
PTR-2.75E	2.750	1.75	1.000	2.25	1 - 14	1.50	3/8	1.3	0.06	1.81
PTR-3.00A	3.000	1.94	1.250	2.50	1 1/4 - 12	1.75	1/2	1.5	0.06	2.00
PTR-3.00	3.000	1.94	1.250	2.50	1 1/4 - 12	1.75	1/2	1.8	0.06	2.00
PTR-3.25A	3.250	1.94	1.250	2.50	1 1/4 - 12	1.75	1/2	1.5	0.06	2.00
PTR-3.25	3.250	1.94	1.250	2.50	1 1/4 - 12	1.75	1/2	1.8	0.06	2.00
PTR-3.50A	3.500	1.94	1.250	2.75	1 1/4 - 12	1.75	1/2	1.5	0.06	2.00
PTR-3.50	3.500	1.94	1.250	2.75	1 1/4 - 12	1.75	1/2	1.8	0.06	2.00
PTR-4.00A	4.000	1.94	1.250	2.75	1 1/4 - 12	1.75	1/2	1.5	0.06	2.00
PTR-4.00	4.000	1.94	1.250	2.75	1 1/4 - 12	1.75	1/2	1.8	0.06	2.00
PTR-4.50	4.500	1.94	1.250	2.75	1 1/4 - 12	1.75	1/2	1.8	0.06	2.00
PTR-5.00	5.000	2.94	2.000	4.50	2 - 12	2.50	5/8	3.0	0.06	3.00
PTR-6.00	6.000	2.94	2.500	5.50	2 1/2 - 12	3.25	5/8	3.5	0.06	3.00
PTR-7.00	7.000	2.94	2.500	5.50	2 1/2 - 12	3.25	5/8	3.5	0.06	3.00
PTR-8.00	8.000	2.94	2.500	5.50	2 1/2 - 12	3.25	5/8	3.5	0.06	3.00
PTR-10.00	10.000	2.94	2.500	5.50	2 1/2 - 12	3.25	5/8	3.5	0.06	3.00
PTR-10.00-8	10.000	4.87	4.250	9.00	3 1/2 - 4	4.00	5/8	5.0	0.13	5.00

PTR Series Track Roller Assembly

Plain/Cylindrical – Stud Type Concentric
Ball & Tapered Roller Bearings



ADDITIONAL NOTES

*For lubricated threads, use half the maximum clamping torque value shown.

DGBB: Deep Groove Ball Bearings – Alloy Steel
TRB: Tapered Roller Bearings – Alloy Steel

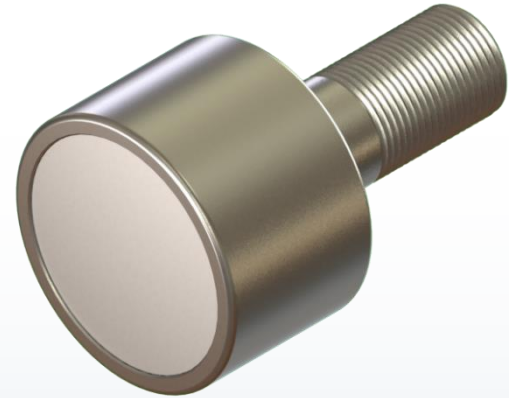
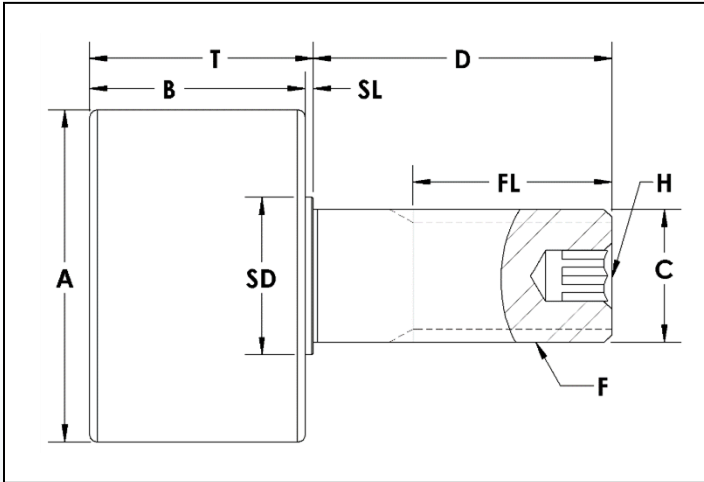
Jam Nut & Lock Washer sets are available at an additional cost.

Specifications subject to change without notice.

Stud Type Track Roller Part Number	Basic Radial Dynamic Load Rating (lbs) C	Basic Radial Static Load Rating (lbs) Co	Thrust Dynamic Load Rating (lbs)	Thrust Static Load Rating (lbs)	Stud Capacity (lbs)	Retaining Ring Capacity (lbs)	Max. Clamping Torque (in-lbs)*	Seal Type	Bearing Type	Approx. Roller Weight (lbs)
PTR-1.00	956	480	331	60	530	470	180	Rubber Lip	DGBB	0.17
PTR-1.125	956	480	331	60	530	470	180	Rubber Lip	DGBB	0.22
PTR-1.25	1,231	640	430	80	930	470	180	Rubber Lip	DGBB	0.30
PTR-1.375	1,231	640	430	80	930	470	180	Rubber Lip	DGBB	0.36
PTR-1.50	2,651	1,394	1,101	348	1,670	550	350	Rubber Lip	DGBB	0.56
PTR-1.75-5	2,651	1,394	1,101	348	1,240	550	650	Rubber Lip	DGBB	0.70
PTR-1.75	2,651	1,394	1,101	348	1,670	550	650	Rubber Lip	DGBB	0.86
PTR-2.00-2	3,624	2,136	1,563	534	3,710	900	650	Rubber Lip	DGBB	1.23
PTR-2.00	3,624	2,136	1,563	534	4,660	900	650	Rubber Lip	DGBB	1.39
PTR-2.25	3,624	2,136	1,563	534	4,660	900	650	Rubber Lip	DGBB	1.86
PTR-2.50	5,390	3,507	2,407	877	8,470	1,340	650	Rubber Lip	DGBB	2.34
PTR-2.50-10	5,390	3,507	2,407	877	7,910	1,340	650	Rubber Lip	DGBB	2.26
PTR-2.50E	10,880	7,630	4,010	4,570	7,910	-	1,500	Rubber Dual Lip	TRB	2.48
PTR-2.75	5,390	3,507	2,407	877	8,470	1,340	650	Rubber Lip	DGBB	2.82
PTR-2.75E	10,880	7,630	4,010	4,570	7,910	-	1,500	Rubber Dual Lip	TRB	3.00
PTR-3.00A	7,393	5,036	3,358	1,259	13,980	1,950	1,500	Rubber Lip	DGBB	3.99
PTR-3.00	14,300	20,000	5,790	12,000	13,980	-	1,500	Rubber Dual Lip	TRB	4.15
PTR-3.25A	7,393	5,036	3,358	1,259	13,980	1,950	1,500	Rubber Lip	DGBB	4.65
PTR-3.25	14,300	20,000	5,790	12,000	13,980	-	1,500	Rubber Dual Lip	TRB	4.84
PTR-3.50A	7,393	5,036	3,358	1,259	13,980	1,950	1,500	Rubber Lip	DGBB	5.48
PTR-3.50	14,300	20,000	5,790	12,000	13,980	-	1,500	Rubber Dual Lip	TRB	5.67
PTR-4.00A	7,393	5,036	3,358	1,259	13,980	1,950	1,500	Rubber Lip	DGBB	7.13
PTR-4.00	14,300	20,000	5,790	12,000	13,980	-	1,500	Rubber Dual Lip	TRB	7.33
PTR-4.50	14,300	20,000	5,790	12,000	13,980	-	1,500	Rubber Dual Lip	TRB	9.20
PTR-5.00	35,870	58,400	13,310	32,100	38,190	-	1,500	Rubber Dual Lip	TRB	18.81
PTR-6.00	35,830	56,200	14,150	32,900	74,580	-	1,500	Rubber Dual Lip	TRB	29.03
PTR-7.00	35,830	56,200	14,150	32,900	74,580	-	1,500	Rubber Dual Lip	TRB	36.28
PTR-8.00	35,830	56,200	14,150	32,900	74,580	-	1,500	Rubber Dual Lip	TRB	47.34
PTR-10.00	35,830	56,200	14,150	32,900	74,580	-	1,500	Rubber Dual Lip	TRB	70.44
PTR-10.00-8	83,700	159,800	39,000	110,000	219,860	-	1,500	Rubber Lip	TRB	128.78

MPTR Series Track Roller Assembly

Metric - Plain/Cylindrical – Stud Type Concentric
Ball & Tapered Roller Bearings



Stud Type Track Roller Part Number	A	B	C	D	F	FL	H	SD	SL	T
	Roller Dia. +00 -03 (mm)	Roller Width (mm)	Stud Dia. +00 -03 (mm)	Stud Length (mm)	Thread Size	Thread Length (mm)	Hex Size (mm)	Shoulder Dia. (mm)	Shoulder Length (mm)	Roller Width + Shoulder Length (mm)
MPTR-26	26	19.2	10	23	M10 X 1	13	4	13.1	0.8	20
MPTR-30	30	19.2	12	25	M12 X 1.5	14	4	15.9	0.8	20
MPTR-32	32	21.2	12	25	M12 X 1.5	14	4	15.9	0.8	22
MPTR-35	35	21.2	16	32.5	M16 X 2	18	8	19.1	0.8	22
MPTR-40	40	28.4	14	40	M14 X 2	26	6	18	1.6	30
MPTR-40-1	40	26	18	36.5	M18 X 1.5	19	8	22	1.6	27.6
MPTR-47	47	26	20	40.5	M20 X 1.5	21	8	25.5	1.6	27.6
MPTR-50	50	38.4	16	50	M16 X 2	35	8	23	1.6	40
MPTR-52	52	32	20	40.5	M20 X 1.5	21	8	25.5	1.6	33.6
MPTR-62	62	42.4	24	58	M24 X 3	35	8	32	1.6	44
MPTR-62-1	62	42	24	49.5	M24 X 1.5	25	8	32	1.6	44
MPTR-72	72	42.4	24	50	M24 X 1.5	25	8	32	1.6	44
MPTR-76	76	50	30	69.5	M30 X 3.5	40	12	44.5	1.6	52
MPTR-80	80	50.4	30	70	M30 X 3.5	40	12	44.5	1.6	52
MPTR-85	85	50	30	69.5	M30 X 3.5	40	12	44.5	1.6	52
MPTR-90	90	50.4	30	70	M30 X 3.5	40	12	44.5	1.6	52
MPTR-100-1	100	50	30	69.5	M30 X 3.5	40	12	44.5	1.6	52
MPTR-100	100	50.4	30	80	M30 X 3.5	50	12	44.5	1.6	52
MPTR-125	125	74	48	105	M48 X 5	60	12	76.2	1.6	76
MPTR-150	150	74.4	64	140	M64 X 6	82	12	88.9	1.6	76
MPTR-200	200	74	64	140	M64 X 6	82	12	88.9	1.6	76

MPTR Series Track Roller Assembly

Metric - Plain/Cylindrical – Stud Type Concentric
Ball & Tapered Roller Bearings



ADDITIONAL NOTES

*For lubricated threads, use half the maximum clamping torque value shown.

DGGB: Deep Groove Ball Bearings – Alloy Steel
TRB: Tapered Roller Bearings – Alloy Steel

Jam Nut & Lock Washer sets are available at an additional cost.

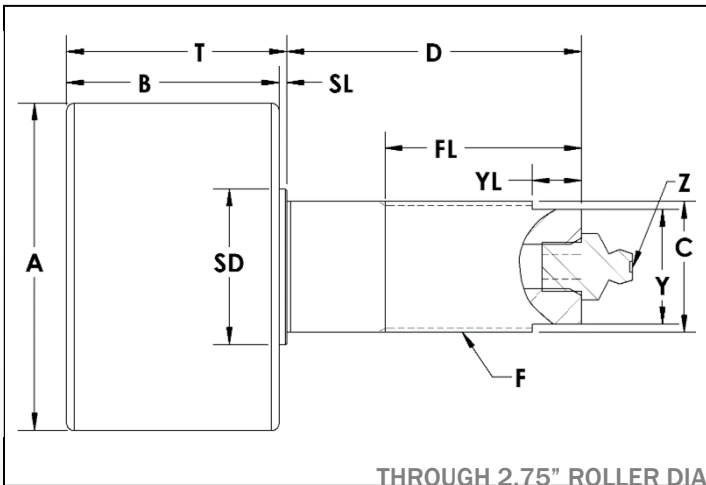
Specifications subject to change without notice.

Stud Type Track Roller Part Number	Basic Radial Dynamic Load Rating (N) C	Basic Radial Static Load Rating (N) C	Thrust Dynamic Load Rating (N)	Thrust Static Load Rating (N)	Stud Capacity (N)	Retaining Ring Capacity (N)	Max. Clamping Torque (Nm)*	Seal Type	Bearing Type	Approx. Roller Weight (Kg)
MPTR-26	4,250	2,130	1,470	265	2,600	2,090	20	Rubber Lip	DGGB	0.10
MPTR-30	4,250	2,130	1,470	265	2,600	2,090	20	Rubber Lip	DGGB	0.11
MPTR-32	5,470	2,840	1,900	350	4,300	2,090	20	Rubber Lip	DGGB	0.14
MPTR-35	5,470	2,840	1,900	350	4,300	2,090	20	Rubber Lip	DGGB	0.17
MPTR-40	11,790	6,200	4,890	1,540	7,400	2,440	20	Rubber Lip	DGGB	0.27
MPTR-40-1	11,790	6,200	4,890	1,540	7,400	2,440	20	Rubber Lip	DGGB	0.27
MPTR-47	11,790	6,200	4,890	1,540	7,400	2,440	20	Rubber Lip	DGGB	0.42
MPTR-50	16,120	9,500	6,950	2,375	20,700	4,000	68	Rubber Lip	DGGB	0.54
MPTR-52	16,120	9,500	6,950	2,375	20,700	4,000	68	Rubber Lip	DGGB	0.54
MPTR-62	20,732	13,398	9,236	3,350	21,200	5,960	68	Rubber Lip	DGGB	1.00
MPTR-62-1	20,732	13,398	9,236	3,350	21,200	5,960	68	Rubber Lip	DGGB	1.00
MPTR-72	48,300	33,950	17,800	20,330	20,820	-	68	Rubber Dual Lip	TRB	1.40
MPTR-76	63,600	89,000	25,700	53,400	52,780	-	136	Rubber Dual Lip	TRB	1.90
MPTR-80	63,600	89,000	25,700	53,400	52,780	-	136	Rubber Dual Lip	TRB	2.00
MPTR-85	63,600	89,000	25,700	53,400	52,780	-	136	Rubber Dual Lip	TRB	2.40
MPTR-90	63,600	89,000	25,700	53,400	52,780	-	136	Rubber Dual Lip	TRB	2.70
MPTR-100-1	63,600	89,000	25,700	53,400	52,780	-	136	Rubber Dual Lip	TRB	3.40
MPTR-100	63,600	89,000	25,700	53,400	52,780	-	136	Rubber Dual Lip	TRB	3.00
MPTR-125	159,000	259,700	59,000	142,700	143,500	-	136	Rubber Dual Lip	TRB	3.40
MPTR-150	159,000	249,000	62,900	146,300	411,900	-	136	Rubber Dual Lip	TRB	13.00
MPTR-200	159,000	249,000	62,900	146,300	411,900	-	136	Rubber Dual Lip	TRB	22.00

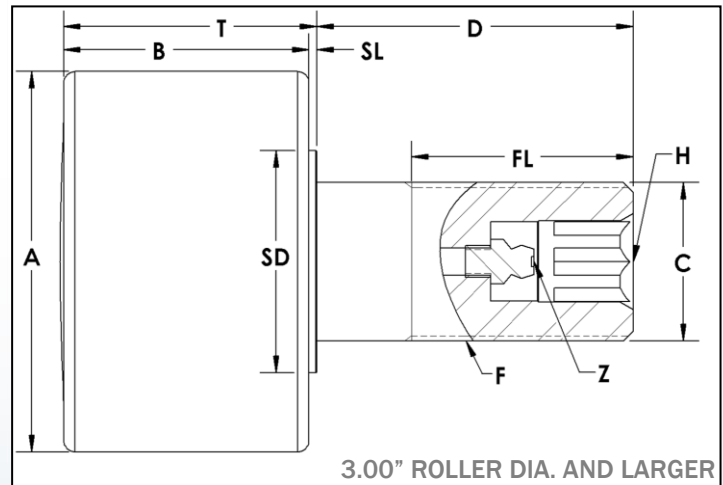
PTR-R Series Track Roller Assembly

Plain/Cylindrical – Stud Type Concentric
Ball & Tapered Roller Bearings - Regreasable

PCT[®]
989.358.6148
www.pcimfg.com



THROUGH 2.75" ROLLER DIA

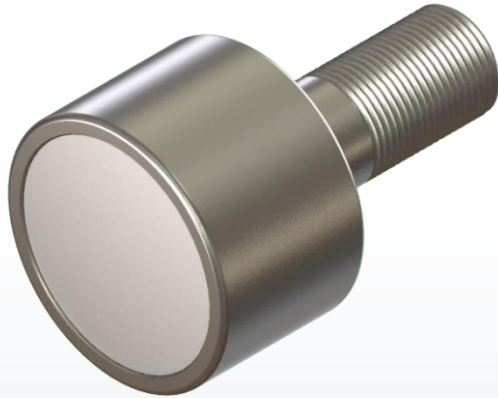


3.00" ROLLER DIA. AND LARGER

Stud Type Track Roller Part Number	A	B	C	D	F	FL	H	SD	SL	T	Y	YL	Z
	Roller Dia. +0.000 -0.001	Roller Width	Stud Dia. +0.000 -0.001	Stud Length	Thread Size	Thread Length	Hex Size	Shoulder Dia.	Shoulder Length	Roller Width + Shoulder Length	Wrench Flat	Wrench Flat Length	Lube Size
PTR-1.00-R	1.000	0.75	0.437	1.00	7/16 - 20	0.50	-	0.5	0.03	0.78	0.312	0.250	1/8 Drive
PTR-1.125-R	1.125	0.75	0.437	1.00	7/16 - 20	0.50	-	0.5	0.03	0.78	0.312	0.250	1/8 Drive
PTR-1.25-R	1.250	0.81	0.500	1.25	1/2 - 20	0.63	-	0.6	0.03	0.84	0.375	0.250	1/8 Drive
PTR-1.375-R	1.375	0.81	0.500	1.25	1/2 - 20	0.63	-	0.6	0.03	0.84	0.375	0.250	1/8 Drive
PTR-1.50-R	1.500	1.13	0.625	1.50	5/8 - 18	0.75	-	0.8	0.06	1.19	0.500	0.375	1/4-28 UNF
PTR-1.75-5-R	1.750	1.13	0.500	0.88	1/2 - 13	0.75	-	.625(HEX)	0.32	1.44	0.375	0.250	1/8 Drive
PTR-1.75-R	1.750	1.13	0.750	1.75	3/4 - 16	0.88	-	0.9	0.06	1.19	0.625	0.375	1/8-27 NPT
PTR-2.00-2-R	2.000	1.32	0.875	2.00	7/8 - 14	1.13	-	1.0	0.06	1.38	0.625	0.375	1/8-27 NPT
PTR-2.00-R	2.000	1.63	0.875	2.00	7/8 - 14	1.13	-	1.0	0.06	1.69	0.625	0.375	1/8-27 NPT
PTR-2.25-R	2.250	1.63	0.875	2.00	7/8 - 14	1.13	-	1.0	0.06	1.69	0.625	0.375	1/8-27 NPT
PTR-2.50-R	2.500	1.63	1.000	2.25	1 - 14	1.50	-	1.2	0.06	1.69	0.875	0.375	1/8-27 NPT
PTR-2.50-10-R	2.500	1.63	1.000	2.25	1 - 14	1.50	-	1.2	0.19	1.81	0.875	0.375	1/8-27 NPT
PTR-2.50E-R	2.500	1.75	1.000	2.25	1 - 14	1.50	-	1.3	0.06	1.81	0.875	0.375	1/8-27 NPT
PTR-2.75-R	2.750	1.63	1.000	2.25	1 - 14	1.50	-	1.2	0.06	1.69	0.875	0.375	1/8-27 NPT
PTR-2.75E-R	2.750	1.75	1.000	2.25	1 - 14	1.50	-	1.3	0.06	1.81	0.875	0.375	1/8-27 NPT
PTR-3.00A-R	3.000	1.94	1.250	2.50	1 1/4 - 12	1.75	5/8	1.5	0.06	2.00	-	-	1/4-28 UNF
PTR-3.00-R	3.000	1.94	1.250	2.50	1 1/4 - 12	1.75	5/8	1.8	0.06	2.00	-	-	1/4-28 UNF
PTR-3.25A-R	3.250	1.94	1.250	2.50	1 1/4 - 12	1.75	5/8	1.5	0.06	2.00	-	-	1/4-28 UNF
PTR-3.25-R	3.250	1.94	1.250	2.50	1 1/4 - 12	1.75	5/8	1.8	0.06	2.00	-	-	1/4-28 UNF
PTR-3.50A-R	3.500	1.94	1.250	2.75	1 1/4 - 12	1.75	5/8	1.5	0.06	2.00	-	-	1/4-28 UNF
PTR-3.50-R	3.500	1.94	1.250	2.75	1 1/4 - 12	1.75	5/8	1.8	0.06	2.00	-	-	1/4-28 UNF
PTR-4.00A-R	4.000	1.94	1.250	2.75	1 1/4 - 12	1.75	5/8	1.5	0.06	2.00	-	-	1/4-28 UNF
PTR-4.00-R	4.000	1.94	1.250	2.75	1 1/4 - 12	1.75	5/8	1.8	0.06	2.00	-	-	1/4-28 UNF
PTR-4.50-R	4.500	1.94	1.250	2.75	1 1/4 - 12	1.75	5/8	1.8	0.06	2.00	-	-	1/4-28 UNF
PTR-5.00-R	5.000	2.94	2.000	4.50	2 - 12	2.50	5/8	3.0	0.06	3.00	-	-	1/4-28 UNF
PTR-6.00-R	6.000	2.94	2.500	5.50	2 1/2 - 12	3.25	5/8	3.5	0.06	3.00	-	-	1/4-28 UNF
PTR-7.00-R	7.000	2.94	2.500	5.50	2 1/2 - 12	3.25	5/8	3.5	0.06	3.00	-	-	1/4-28 UNF
PTR-8.00-R	8.000	2.94	2.500	5.50	2 1/2 - 12	3.25	5/8	3.5	0.06	3.00	-	-	1/4-28 UNF
PTR-10.00-R	10.000	2.94	2.500	5.50	2 1/2 - 12	3.25	5/8	3.5	0.06	3.00	-	-	1/4-28 UNF

PTR-R Series Track Roller Assembly

Plain/Cylindrical – Stud Type Concentric
Ball & Tapered Roller Bearings - Regreasable



ADDITIONAL NOTES

*For lubricated threads, use half the maximum clamping torque value shown.

DGGB: Deep Groove Ball Bearings – Alloy Steel
TRB: Tapered Roller Bearings – Alloy Steel

Jam Nut & Lock Washer sets are available at an additional cost.

Specifications subject to change without notice.

Stud Type Track Roller Part Number	Basic Radial Dynamic Load Rating (lbs) C	Basic Radial Static Load Rating (lbs) Co	Thrust Dynamic Load Rating (lbs)	Thrust Static Load Rating (lbs)	Stud Capacity (lbs)	Retaining Ring Capacity (lbs)	Max. Clamping Torque (in-lbs)*	Seal Type	Bearing Type	Approx. Roller Weight (lbs)
PTR-1.00-R	956	480	331	60	530	470	180	Rubber Lip	DGGB	0.17
PTR-1.125-R	956	480	331	60	530	470	180	Rubber Lip	DGGB	0.22
PTR-1.25-R	1,231	640	430	80	930	470	180	Rubber Lip	DGGB	0.30
PTR-1.375-R	1,231	640	430	80	930	470	180	Rubber Lip	DGGB	0.36
PTR-1.50-R	2,651	1,394	1,101	348	1,680	550	350	Rubber Lip	DGGB	0.56
PTR-1.75-5-R	2,651	1,394	1,101	348	1,240	550	650	Rubber Lip	DGGB	0.70
PTR-1.75-R	2,651	1,394	1,101	348	1,670	550	650	Rubber Lip	DGGB	0.86
PTR-2.00-2-R	3,624	2,136	1,563	534	3,710	900	650	Rubber Lip	DGGB	1.23
PTR-2.00-R	3,624	2,136	1,563	534	4,660	900	650	Rubber Lip	DGGB	1.39
PTR-2.25-R	3,624	2,136	1,563	534	4,660	900	650	Rubber Lip	DGGB	1.86
PTR-2.50-R	5,390	3,507	2,407	877	8,470	1,340	650	Rubber Lip	DGGB	2.34
PTR-2.50-10-R	5,390	3,507	2,407	877	7,910	1,340	650	Rubber Lip	DGGB	2.26
PTR-2.50E-R	10,880	7,630	4,010	4,570	7,910	-	1,500	Rubber Dual Lip	TRB	2.48
PTR-2.75-R	5,390	3,507	2,407	877	8,470	1,340	650	Rubber Lip	DGGB	2.82
PTR-2.75E-R	10,880	7,630	4,010	4,570	7,910	-	1,500	Rubber Dual Lip	TRB	3.00
PTR-3.00A-R	7,393	5,036	3,358	1,259	13,980	1,950	1,500	Rubber Lip	DGGB	3.99
PTR-3.00-R	14,300	20,000	5,790	12,000	13,980	-	1,500	Rubber Dual Lip	TRB	4.15
PTR-3.25A-R	7,393	5,036	3,358	1,259	13,980	1,950	1,500	Rubber Lip	DGGB	4.65
PTR-3.25-R	14,300	20,000	5,790	12,000	13,980	-	1,500	Rubber Dual Lip	TRB	4.84
PTR-3.50A-R	7,393	5,036	3,358	1,259	13,980	1,950	1,500	Rubber Lip	DGGB	5.48
PTR-3.50-R	14,300	20,000	5,790	12,000	13,980	-	1,500	Rubber Dual Lip	TRB	5.67
PTR-4.00A-R	7,393	5,036	3,358	1,259	13,980	1,950	1,500	Rubber Lip	DGGB	7.13
PTR-4.00-R	14,300	20,000	5,790	12,000	13,980	-	1,500	Rubber Dual Lip	TRB	7.33
PTR-4.50-R	14,300	20,000	5,790	12,000	13,980	-	1,500	Rubber Dual Lip	TRB	9.20
PTR-5.00-R	35,870	58,400	13,310	32,100	38,190	-	1,500	Rubber Dual Lip	TRB	18.81
PTR-6.00-R	35,830	56,200	14,150	32,900	74,580	-	1,500	Rubber Dual Lip	TRB	29.03
PTR-7.00-R	35,830	56,200	14,150	32,900	74,580	-	1,500	Rubber Dual Lip	TRB	36.28
PTR-8.00-R	35,830	56,200	14,150	32,900	74,580	-	1,500	Rubber Dual Lip	TRB	47.34
PTR-10.00-R	35,830	56,200	14,150	32,900	74,580	-	1,500	Rubber Dual Lip	TRB	70.44