

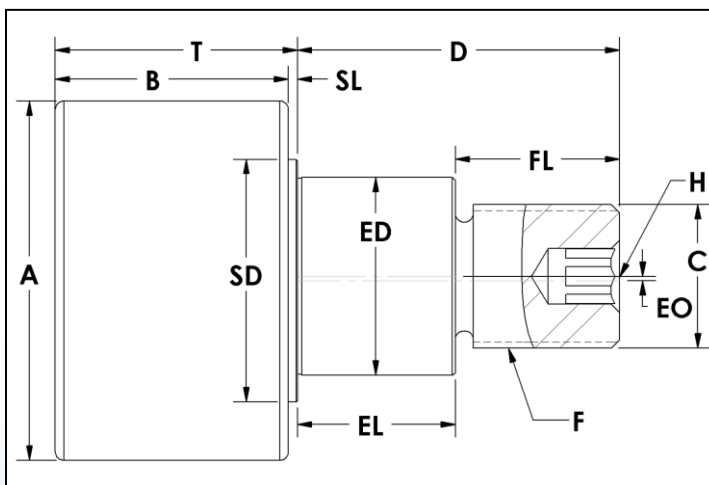
PTRE Series Track Roller Assembly

Plain/Cylindrical – Stud Type Eccentric
Ball & Tapered Roller Bearings



989.358.6148

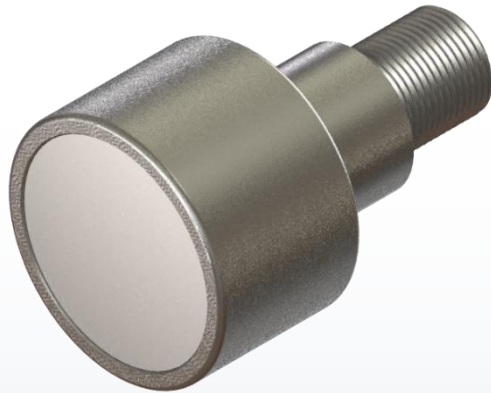
www.pcimfg.com



Stud Type Track Roller Part Number	A	B	C	D	ED	EL	EO	F	FL	H	SD	SL	T
	Roller Dia. +0.00 -0.001	Roller Width	Stud Dia.	Stud Length	Ecc Dia +0.00 -0.002	Ecc Length	Ecc Offset	Thread Size	Thread Length	Hex Size	Shld Dia.	Shoulder Length	Roller Width + Shoulder Length
PTRE-1.00	1.000	0.75	0.437	1.00	0.625	0.48	0.03	7/16 - 20	0.52	3/16	0.7	0.03	0.78
PTRE-1.125	1.125	0.75	0.437	1.00	0.625	0.48	0.03	7/16 - 20	0.52	3/16	0.7	0.03	0.78
PTRE-1.25	1.250	0.81	0.500	1.25	0.687	0.61	0.03	1/2 - 20	0.65	3/16	0.8	0.03	0.84
PTRE-1.375	1.375	0.81	0.500	1.25	0.687	0.61	0.03	1/2 - 20	0.65	3/16	0.8	0.03	0.84
PTRE-1.50	1.500	1.13	0.625	1.50	0.875	0.73	0.03	5/8 - 18	0.77	5/16	1.1	0.06	1.19
PTRE-1.75	1.750	1.13	0.750	1.75	1.000	0.86	0.03	3/4 - 16	0.90	5/16	1.3	0.06	1.19
PTRE-2.00-2	2.000	1.32	0.875	2.00	1.187	0.98	0.03	7/8 - 14	1.02	5/16	1.5	0.06	1.38
PTRE-2.00	2.000	1.63	0.875	2.00	1.187	0.98	0.03	7/8 - 14	1.02	5/16	1.5	0.06	1.69
PTRE-2.25	2.250	1.63	0.875	2.00	1.187	0.98	0.03	7/8 - 14	1.02	5/16	1.5	0.06	1.69
PTRE-2.50	2.500	1.63	1.000	2.25	1.375	1.11	0.03	1 - 14	1.15	3/8	1.7	0.06	1.69
PTRE-2.50-10	2.500	1.63	1.000	2.25	1.375	1.11	0.03	1 - 14	1.15	3/8	1.7	0.19	1.81
PTRE-2.50E	2.500	1.75	1.000	2.25	1.375	1.11	0.03	1 - 14	1.15	3/8	1.7	0.06	1.81
PTRE-2.75	2.750	1.63	1.000	2.25	1.375	1.11	0.03	1 - 14	1.15	3/8	1.7	0.06	1.69
PTRE-2.75E	2.750	1.75	1.000	2.25	1.375	1.11	0.03	1 - 14	1.15	3/8	1.7	0.06	1.81
PTRE-3.00A	3.000	1.94	1.250	2.50	1.750	1.23	0.06	1 1/4 - 12	1.27	1/2	2.2	0.06	2.00
PTRE-3.00	3.000	1.94	1.250	2.50	1.750	1.23	0.06	1 1/4 - 12	1.27	1/2	2.2	0.06	2.00
PTRE-3.25A	3.250	1.94	1.250	2.50	1.750	1.23	0.06	1 1/4 - 12	1.27	1/2	2.2	0.06	2.00
PTRE-3.25	3.250	1.94	1.250	2.50	1.750	1.23	0.06	1 1/4 - 12	1.27	1/2	2.2	0.06	2.00
PTRE-3.50A	3.500	1.94	1.250	2.75	1.812	1.36	0.06	1 1/4 - 12	1.40	1/2	2.2	0.06	2.00
PTRE-3.50	3.500	1.94	1.250	2.75	1.812	1.36	0.06	1 1/4 - 12	1.40	1/2	2.2	0.06	2.00
PTRE-4.00A	4.000	1.94	1.250	2.75	1.812	1.36	0.06	1 1/4 - 12	1.40	1/2	2.2	0.06	2.00
PTRE-4.00	4.000	1.94	1.250	2.75	1.812	1.36	0.06	1 1/4 - 12	1.40	1/2	2.2	0.06	2.00
PTRE-4.50	4.500	1.94	1.250	2.75	1.812	1.36	0.06	1 1/4 - 12	1.40	1/2	2.2	0.06	2.00
PTRE-5.00	5.000	2.94	2.000	4.50	2.625	2.13	0.06	2 - 12	2.38	5/8	3.3	0.06	3.00
PTRE-6.00	6.000	2.94	2.500	5.50	3.125	2.88	0.06	2 1/2 - 12	2.63	5/8	3.6	0.06	3.00

PTRE Series Track Roller Assembly

Plain/Cylindrical – Stud Type Eccentric
Ball & Tapered Roller Bearings



ADDITIONAL NOTES

*For lubricated threads, use half the maximum clamping torque value shown.

DGGB: Deep Groove Ball Bearings – Alloy Steel
TRB: Tapered Roller Bearings – Alloy Steel

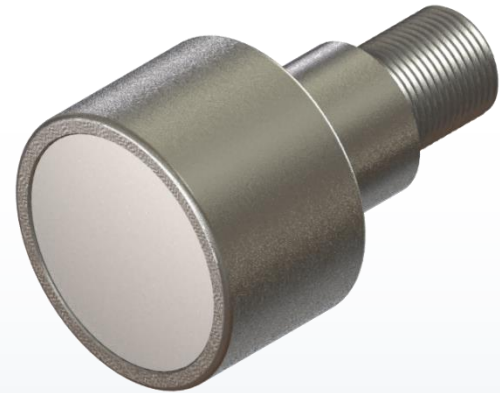
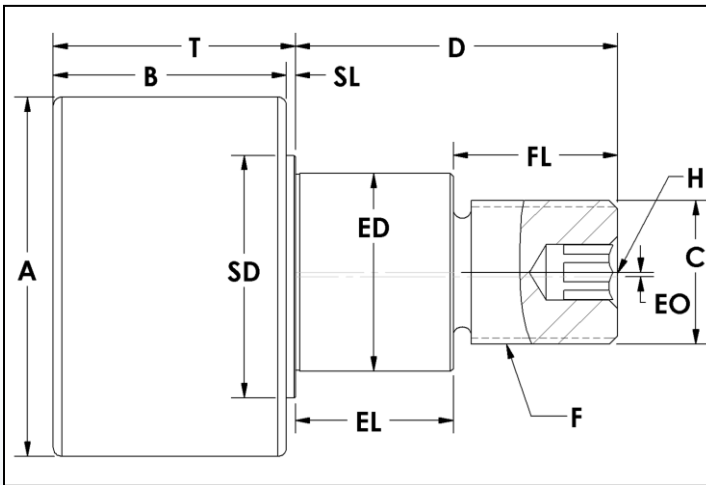
Jam Nut & Lock Washer sets are available at an additional cost.

Specifications subject to change without notice.

Stud Type Track Roller Part Number	Basic Radial Dynamic Load Rating (lbs) C	Basic Radial Static Load Rating (lbs) Co	Thrust Dynamic Load Rating (lbs)	Thrust Static Load Rating (lbs)	Stud Capacity (lbs)	Retaining Ring Capacity (lbs)	Max. Clamping Torque (in-lbs)*	Seal Type	Bearing Type	Approx. Roller Weight (lbs)
PTRE-1.00	956	480	331	60	530	470	250	Rubber Lip	DGGB	0.20
PTRE-1.125	956	480	331	60	530	470	250	Rubber Lip	DGGB	0.24
PTRE-1.25	1,231	640	430	80	940	470	250	Rubber Lip	DGGB	0.32
PTRE-1.375	1,231	640	430	80	940	470	250	Rubber Lip	DGGB	0.37
PTRE-1.50	2,651	1,394	1,101	348	1,680	550	650	Rubber Lip	DGGB	0.63
PTRE-1.75	2,651	1,394	1,101	348	1,680	550	650	Rubber Lip	DGGB	0.96
PTRE-2.00-2	3,624	2,136	1,563	534	3,710	900	650	Rubber Lip	DGGB	1.52
PTRE-2.00	3,624	2,136	1,563	534	4,660	900	650	Rubber Lip	DGGB	1.68
PTRE-2.25	3,624	2,136	1,563	534	4,660	900	650	Rubber Lip	DGGB	2.07
PTRE-2.50	5,390	3,507	2,407	877	8,470	1,340	650	Rubber Lip	DGGB	2.48
PTRE-2.50-10	5,390	3,507	2,407	877	7,910	1,340	650	Rubber Lip	DGGB	2.40
PTRE-2.50E	10,880	7,630	4,010	4,570	7,910	-	650	Rubber Dual Lip	TRB	2.67
PTRE-2.75	5,390	3,507	2,407	877	8,470	1,340	650	Rubber Lip	DGGB	3.08
PTRE-2.75E	10,880	7,630	4,010	4,570	7,910	-	1,500	Rubber Dual Lip	TRB	3.17
PTRE-3.00A	7,393	5,036	3,358	1,259	13,980	1,950	1,500	Rubber Lip	DGGB	4.53
PTRE-3.00	14,300	20,000	5,790	12,000	13,980	-	1,500	Rubber Dual Lip	TRB	4.62
PTRE-3.25A	7,393	5,036	3,358	1,259	13,980	1,950	1,500	Rubber Lip	DGGB	5.19
PTRE-3.25	14,300	20,000	5,790	12,000	13,980	-	1,500	Rubber Dual Lip	TRB	5.31
PTRE-3.50A	7,393	5,036	3,358	1,259	13,980	1,950	1,500	Rubber Lip	DGGB	6.10
PTRE-3.50	14,300	20,000	5,790	12,000	13,980	-	1,500	Rubber Dual Lip	TRB	6.27
PTRE-4.00A	7,393	5,036	3,358	1,259	13,980	1,950	1,500	Rubber Lip	DGGB	7.69
PTRE-4.00	14,300	20,000	5,790	12,000	13,980	-	1,500	Rubber Dual Lip	TRB	7.93
PTRE-4.50	14,300	20,000	5,790	12,000	13,980	-	1,500	Rubber Dual Lip	TRB	9.42
PTRE-5.00	35,870	58,400	13,310	32,100	38,190	-	1,500	Rubber Dual Lip	TRB	20.20
PTRE-6.00	35,830	56,200	14,150	32,900	74,580	-	1,500	Rubber Dual Lip	TRB	31.06

MPTRE Series Track Roller Assembly

Metric - Plain/Cylindrical – Stud Type Eccentric
Ball & Tapered Roller Bearings



Stud Type Track Roller Part Number	A	B	C	D	ED	EL	EO	F	FL	H	SD	SL	T
	Roller Dia. +.00 -.03 (mm)	Roller Width (mm)	Stud Dia. +.00 -.03 (mm)	Stud Length (mm)	Ecc Dia +.000 -.002 (mm)	Ecc Length (mm)	Ecc Offset (mm)	Thread Size	Thread Length (mm)	Hex Size (mm)	Shoulder Dia. (mm)	Shoulder Length (mm)	Roller Width + Shoulder Length (mm)
MPTRE-26	26	19.2	10	23	13	10	0.5	M10 X 1	13	4	17.1	0.8	20
MPTRE-30	30	19.2	12	25	15	11	0.5	M12 X 1.5	14	4	17.5	0.8	20
MPTRE-32	32	21.2	12	25	15	11	0.5	M12 X 1.5	14	4	17.5	0.8	22
MPTRE-35	35	21.2	16	32.5	20	14.5	1	M16 X 2	18	8	23.8	0.8	22
MPTRE-40	40	28.4	14	40	22	13	1	M14 X 2	26	6	28.5	1.6	30
MPTRE-40-1	40	26	18	36.5	22	16	1	M18 X 1.5	19	8	28.5	1.6	27.6
MPTRE-47	47	26	20	40.5	24	18	1	M20 X 1.5	21	8	32	1.6	27.6
MPTRE-50	50	38.4	16	50	24	18	1	M16 X 2	35	8	32	1.6	40
MPTRE-52	52	32	20	40.5	24	18	1	M20 X 1.5	21	8	32	1.6	33.6
MPTRE-62	62	42.4	24	58	28	20	1.5	M24 X 3	35	8	43	1.6	44
MPTRE-62-1	62	42	24	49.5	28	22	1	M24 X 1.5	25	8	43	1.6	44
MPTRE-72	72	42.4	20	50	28	22	1	M20 X 1.5	25	8	38	1.6	44
MPTRE-76	76	50	24	69.5	35	29	1.5	M24 X 1.5	40	12	50	1.6	52
MPTRE-80	80	50.4	24	70	35	29	2	M24 X 1.5	40	12	50	1.6	52
MPTRE-85	85	50	24	69.5	35	29	1.5	M24 X 1.5	40	12	50	1.6	52
MPTRE-90	90	50.4	24	70	35	29	2	M24 X 1.5	40	12	50	1.6	52
MPTRE-100-1	100	50	24	69.5	35	29	1.5	M24 X 1.5	40	12	50	1.6	52
MPTRE-100	100	50.4	24	80	35	29	2	M24 X 1.5	50	12	50	1.6	52
MPTRE-125	125	74	48	105	64	50	1.5	M48 X 5	60	12	89	1.6	76
MPTRE-150	150	74.4	64	140	80	65	2	M64 X 6	82	12	89	1.6	76

MPTRE Series Track Roller Assembly

Metric - Plain/Cylindrical – Stud Type Eccentric
Ball & Tapered Roller Bearings



ADDITIONAL NOTES

*For lubricated threads, use half the maximum clamping torque value shown.

DGGB: Deep Groove Ball Bearings – Alloy Steel
TRB: Tapered Roller Bearings – Alloy Steel

Jam Nut & Lock Washer sets are available at an additional cost.

Specifications subject to change without notice.

Stud Type Track Roller Part Number	Basic Radial Dynamic Load Rating (N) C	Basic Radial Static Load Rating (N) C _s	Thrust Dynamic Load Rating (N)	Thrust Static Load Rating (N)	Stud Capacity (N)	Retaining Ring Capacity (N)	Max. Clamping Torque (Nm)*	Seal Type	Bearing Type	Approx. Roller Weight (Kg)
MPTRE-26	4,250	2,130	1,470	265	2,600	2,090	20	Rubber Lip	DGGB	0.10
MPTRE-30	4,250	2,130	1,470	265	2,600	2,090	20	Rubber Lip	DGGB	0.11
MPTRE-32	5,470	2,840	1,900	350	4,300	2,090	20	Rubber Lip	DGGB	0.14
MPTRE-35	5,470	2,840	1,900	350	4,300	2,090	20	Rubber Lip	DGGB	0.17
MPTRE-40	11,790	6,200	4,890	1,540	7,400	2,440	20	Rubber Lip	DGGB	0.27
MPTRE-40-1	11,790	6,200	4,890	1,540	7,400	2,440	20	Rubber Lip	DGGB	0.27
MPTRE-47	11,790	6,200	4,890	1,540	7,400	2,440	20	Rubber Lip	DGGB	0.42
MPTRE-50	16,120	9,500	6,950	2,375	20,700	4,000	68	Rubber Lip	DGGB	0.54
MPTRE-52	16,120	9,500	6,950	2,375	20,700	4,000	68	Rubber Lip	DGGB	0.54
MPTRE-62	20,732	13,398	9,236	3,350	21,200	5,960	68	Rubber Lip	DGGB	1.00
MPTRE-62-1	20,732	13,398	9,236	3,350	21,200	5,960	68	Rubber Lip	DGGB	1.00
MPTRE-72	48,300	33,950	17,800	20,330	20,820	-	68	Rubber Dual Lip	TRB	1.40
MPTRE-76	63,600	89,000	25,700	53,400	52,780	-	136	Rubber Dual Lip	TRB	1.90
MPTRE-80	63,600	89,000	25,700	53,400	52,780	-	136	Rubber Dual Lip	TRB	2.00
MPTRE-85	63,600	89,000	25,700	53,400	52,780	-	136	Rubber Dual Lip	TRB	2.40
MPTRE-90	63,600	89,000	25,700	53,400	52,780	-	136	Rubber Dual Lip	TRB	2.70
MPTRE-100-1	63,600	89,000	25,700	53,400	52,780	-	136	Rubber Dual Lip	TRB	3.40
MPTRE-100	63,600	89,000	25,700	53,400	52,780	-	136	Rubber Dual Lip	TRB	3.00
MPTRE-125	159,000	259,700	59,000	142,700	143,500	-	136	Rubber Dual Lip	TRB	3.40
MPTRE-150	159,000	249,000	62,900	146,300	411,900	-	136	Rubber Dual Lip	TRB	13.00

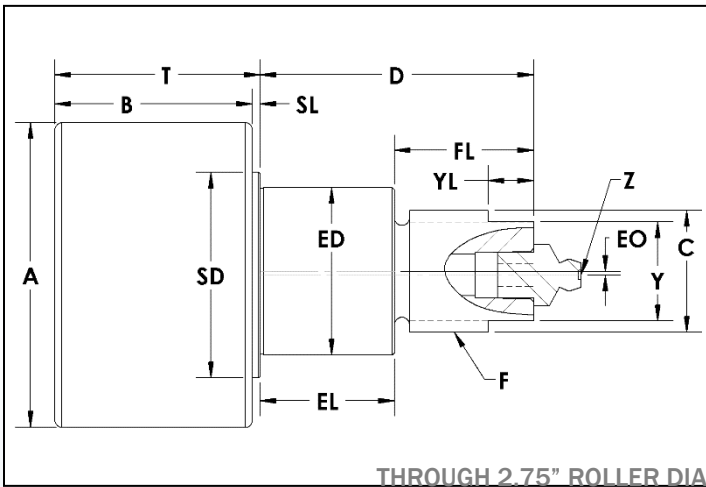
PTRE-R Series Track Roller Assembly

Plain/Cylindrical – Stud Type Eccentric
Ball & Tapered Roller Bearings - Regreasable

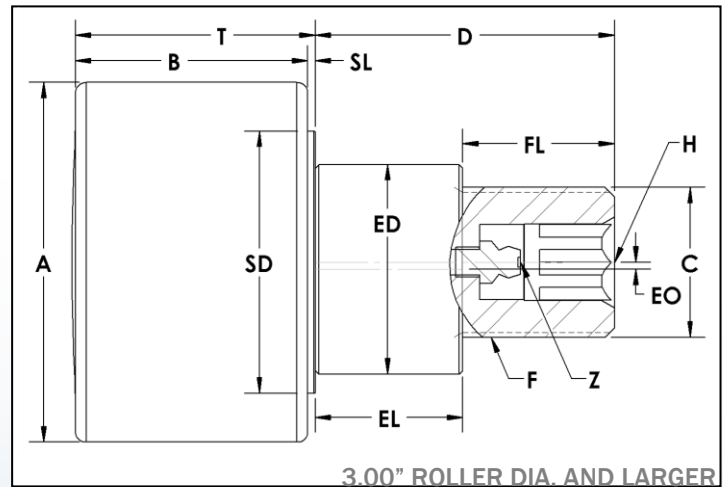


989.358.6148

www.pcimfg.com



THROUGH 2.75" ROLLER DIA



3.00" ROLLER DIA. AND LARGER

Stud Type Track Roller Part Number	A	B	C	D	ED	EL	EO	F	FL	H	SD	SL	T	Y	YL	Z
	Roller Dia. +.000 -.001	Roller Width	Stud Dia.	Stud Length	Ecc Dia +.000 -.002	Ecc Length	Ecc Offset	Thread Size	Thread Length	Hex Size	Shld Dia.	Shoulder Length	Roller Width + Shoulder Length	Wrench Flat	Wrench Flat Length	Lube Size
PTRE-1.00-R	1.000	0.75	0.437	1.00	0.625	0.48	0.03	7/16 - 20	0.52	-	0.7	0.03	0.78	0.312	0.250	1/8 Drive
PTRE-1.125-R	1.125	0.75	0.437	1.00	0.625	0.48	0.03	7/16 - 20	0.52	-	0.7	0.03	0.78	0.312	0.250	1/8 Drive
PTRE-1.25-R	1.250	0.81	0.500	1.25	0.687	0.61	0.03	1/2 - 20	0.65	-	0.8	0.03	0.84	0.375	0.250	1/8 Drive
PTRE-1.375-R	1.375	0.81	0.500	1.25	0.687	0.61	0.03	1/2 - 20	0.65	-	0.8	0.03	0.84	0.375	0.250	1/8 Drive
PTRE-1.50-R	1.500	1.13	0.625	1.50	0.875	0.73	0.03	5/8 - 18	0.77	-	1.1	0.06	1.19	0.500	0.375	1/4-28 UNF
PTRE-1.75-R	1.750	1.13	0.750	1.75	1.000	0.86	0.03	3/4 - 16	0.90	-	1.3	0.06	1.19	0.625	0.375	1/8-27 NPT
PTRE-2.00-2-R	2.000	1.32	0.875	2.00	1.187	0.98	0.03	7/8 - 14	1.02	-	1.5	0.06	1.38	0.625	0.375	1/8-27 NPT
PTRE-2.00-R	2.000	1.63	0.875	2.00	1.187	0.98	0.03	7/8 - 14	1.02	-	1.5	0.06	1.69	0.625	0.375	1/8-27 NPT
PTRE-2.25-R	2.250	1.63	0.875	2.00	1.187	0.98	0.03	7/8 - 14	1.02	-	1.5	0.06	1.69	0.625	0.375	1/8-27 NPT
PTRE-2.50-R	2.500	1.63	1.000	2.25	1.375	1.11	0.03	1 - 14	1.15	-	1.7	0.06	1.69	0.875	0.375	1/8-27 NPT
PTRE-2.50-10-R	2.500	1.63	1.000	2.25	1.375	1.11	0.03	1 - 14	1.15	-	1.7	0.19	1.81	0.875	0.375	1/8-27 NPT
PTRE-2.50E-R	2.500	1.75	1.000	2.25	1.375	1.11	0.03	1 - 14	1.15	-	1.7	0.06	1.81	0.875	0.375	1/8-27 NPT
PTRE-2.75-R	2.750	1.63	1.000	2.25	1.375	1.11	0.03	1 - 14	1.15	-	1.7	0.06	1.69	0.875	0.375	1/8-27 NPT
PTRE-2.75E-R	2.750	1.75	1.000	2.25	1.375	1.11	0.03	1 - 14	1.15	-	1.7	0.06	1.81	0.875	0.375	1/8-27 NPT
PTRE-3.00A-R	3.000	1.94	1.250	2.50	1.750	1.23	0.06	1 1/4 - 12	1.27	5/8	2.2	0.06	2.00	-	-	1/4-28 UNF
PTRE-3.00-R	3.000	1.94	1.250	2.50	1.750	1.23	0.06	1 1/4 - 12	1.27	5/8	2.2	0.06	2.00	-	-	1/4-28 UNF
PTRE-3.25A-R	3.250	1.94	1.250	2.50	1.750	1.23	0.06	1 1/4 - 12	1.27	5/8	2.2	0.06	2.00	-	-	1/4-28 UNF
PTRE-3.25-R	3.250	1.94	1.250	2.50	1.750	1.23	0.06	1 1/4 - 12	1.27	5/8	2.2	0.06	2.00	-	-	1/4-28 UNF
PTRE-3.50A-R	3.500	1.94	1.250	2.75	1.812	1.36	0.06	1 1/4 - 12	1.40	5/8	2.2	0.06	2.00	-	-	1/4-28 UNF
PTRE-3.50-R	3.500	1.94	1.250	2.75	1.812	1.36	0.06	1 1/4 - 12	1.40	5/8	2.2	0.06	2.00	-	-	1/4-28 UNF
PTRE-4.00A-R	4.000	1.94	1.250	2.75	1.812	1.36	0.06	1 1/4 - 12	1.40	5/8	2.2	0.06	2.00	-	-	1/4-28 UNF
PTRE-4.00-R	4.000	1.94	1.250	2.75	1.812	1.36	0.06	1 1/4 - 12	1.40	5/8	2.2	0.06	2.00	-	-	1/4-28 UNF
PTRE-4.50-R	4.500	1.94	1.250	2.75	1.812	1.36	0.06	1 1/4 - 12	1.40	5/8	2.2	0.06	2.00	-	-	1/4-28 UNF
PTRE-5.00-R	5.000	2.94	2.000	4.50	2.625	2.13	0.06	2 - 12	2.38	5/8	3.3	0.06	3.00	-	-	1/4-28 UNF
PTRE-6.00-R	6.000	2.94	2.500	5.50	3.125	2.88	0.06	2 1/2 - 12	2.63	5/8	3.6	0.06	3.00	-	-	1/4-28 UNF

PTRE-R Series Track Roller Assembly

Plain/Cylindrical – Stud Type Eccentric
Ball & Tapered Roller Bearings - Regreasable



ADDITIONAL NOTES

*For lubricated threads, use half the maximum clamping torque value shown.

DGBB: Deep Groove Ball Bearings – Alloy Steel
TRB: Tapered Roller Bearings – Alloy Steel

Jam Nut & Lock Washer sets are available at an additional cost.

Specifications subject to change without notice.

Stud Type Track Roller Part Number	Basic Radial Dynamic Load Rating (lbs) C	Basic Radial Static Load Rating (lbs) Co	Thrust Dynamic Load Rating (lbs)	Thrust Static Load Rating (lbs)	Stud Capacity (lbs)	Retaining Ring Capacity (lbs)	Max. Clamping Torque (in-lbs)*	Seal Type	Bearing Type	Approx. Roller Weight (lbs)
PTRE-1.00-R	956	480	331	60	530	470	250	Rubber Lip	DGBB	0.20
PTRE-1.125-R	956	480	331	60	530	470	250	Rubber Lip	DGBB	0.24
PTRE-1.25-R	1,231	640	430	80	940	470	250	Rubber Lip	DGBB	0.32
PTRE-1.375-R	1,231	640	430	80	940	470	250	Rubber Lip	DGBB	0.37
PTRE-1.50-R	2,651	1,394	1,101	348	1,680	550	650	Rubber Lip	DGBB	0.63
PTRE-1.75-R	2,651	1,394	1,101	348	1,680	550	650	Rubber Lip	DGBB	0.96
PTRE-2.00-2-R	3,624	2,136	1,563	534	3,710	900	650	Rubber Lip	DGBB	1.52
PTRE-2.00-R	3,624	2,136	1,563	534	4,660	900	650	Rubber Lip	DGBB	1.68
PTRE-2.25-R	3,624	2,136	1,563	534	4,660	900	650	Rubber Lip	DGBB	2.07
PTRE-2.50-R	5,390	3,507	2,407	877	8,470	1,340	650	Rubber Lip	DGBB	2.48
PTRE-2.50-10-R	5,390	3,507	2,407	877	7,910	1,340	650	Rubber Lip	DGBB	2.40
PTRE-2.50E-R	10,880	7,630	4,010	4,570	7,910	-	1,500	Rubber Dual Lip	TRB	2.67
PTRE-2.75-R	5,390	3,507	2,407	877	8,470	1,340	650	Rubber Lip	DGBB	3.08
PTRE-2.75E-R	10,880	7,630	4,010	4,570	7,910	-	1,500	Rubber Dual Lip	TRB	3.17
PTRE-3.00A-R	7,393	5,036	3,358	1,259	13,980	1,950	1,500	Rubber Lip	DGBB	4.53
PTRE-3.00-R	14,300	20,000	5,790	12,000	13,980	-	1,500	Rubber Dual Lip	TRB	4.62
PTRE-3.25A-R	7,393	5,036	3,358	1,259	13,980	1,950	1,500	Rubber Lip	DGBB	5.19
PTRE-3.25-R	14,300	20,000	5,790	12,000	13,980	-	1,500	Rubber Dual Lip	TRB	5.31
PTRE-3.50A-R	7,393	5,036	3,358	1,259	13,980	1,950	1,500	Rubber Lip	DGBB	6.10
PTRE-3.50-R	14,300	20,000	5,790	12,000	13,980	-	1,500	Rubber Dual Lip	TRB	6.27
PTRE-4.00A-R	7,393	5,036	3,358	1,259	13,980	1,950	1,500	Rubber Lip	DGBB	7.69
PTRE-4.00-R	14,300	20,000	5,790	12,000	13,980	-	1,500	Rubber Dual Lip	TRB	7.93
PTRE-4.50-R	14,300	20,000	5,790	12,000	13,980	-	1,500	Rubber Dual Lip	TRB	9.42
PTRE-5.00-R	35,870	58,400	13,310	32,100	38,190	-	1,500	Rubber Dual Lip	TRB	20.20
PTRE-6.00-R	35,830	56,200	14,150	32,900	74,580	-	1,500	Rubber Dual Lip	TRB	31.06