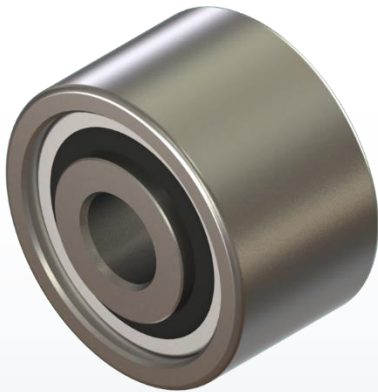


PTRY Series Track Roller Assembly

Plain/Cylindrical – Yoke Type
Ball & Tapered Roller Bearings



ADDITIONAL NOTES

DGBB: Deep Groove Ball Bearings – Alloy Steel
TRB: Tapered Roller Bearings – Alloy Steel

PCI Heavy Duty Yoke Shafts are available at an additional cost. See YSH page for details.

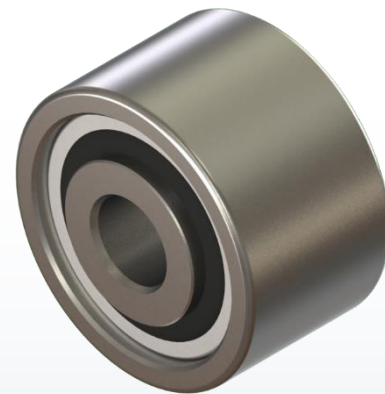
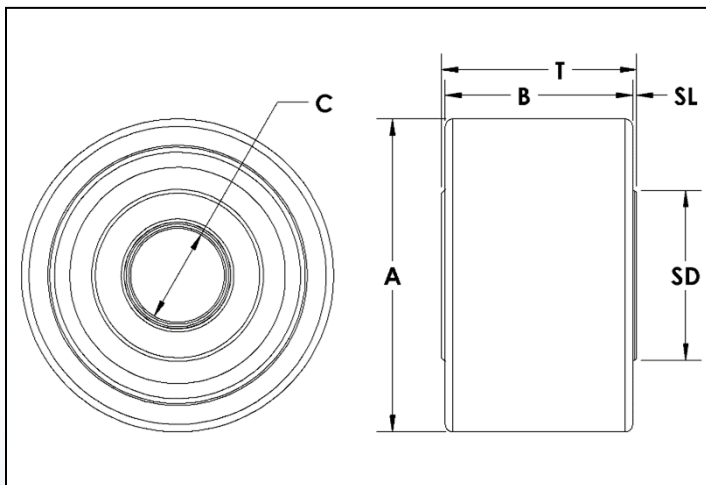
Specifications subject to change without notice.

Yoke Type Track Roller Part Number	Basic Radial Dynamic Load Rating (lbs) C	Basic Radial Static Load Rating (lbs) Co	Thrust Dynamic Load Rating (lbs)	Thrust Static Load Rating (lbs)	Seal Type	Bearing Type	Approx. Roller Weight (lbs)
PTRY-1.50	1,683	1,147	764	287	Rubber Lip	DGBB	0.31
PTRY-1.75	1,683	1,147	764	287	Rubber Lip	DGBB	0.51
PTRY-2.00	3,624	2,248	1,591	562	Rubber Lip	DGBB	0.82
PTRY-2.25	3,624	2,248	1,591	562	Rubber Lip	DGBB	1.10
PTRY-2.50	5,390	3,507	2,407	877	Rubber Lip	DGBB	1.59
PTRY-2.50E	10,880	7,630	4,010	4,570	Rubber Dual Lip	TRB	1.62
PTRY-2.75	5,390	3,507	2,407	877	Rubber Lip	DGBB	2.03
PTRY-2.75E	10,880	7,630	4,010	4,570	Rubber Dual Lip	TRB	2.06
PTRY-3.00A	6,118	4,586	2,884	1,147	Rubber Lip	DGBB	2.47
PTRY-3.00	14,300	20,000	5,790	12,000	Rubber Dual Lip	TRB	2.67
PTRY-3.25A	6,118	4,586	2,884	1,147	Rubber Lip	DGBB	3.09
PTRY-3.25	14,300	20,000	5,790	12,000	Rubber Dual Lip	TRB	3.29
PTRY-3.50A	6,483	5,216	3,145	1,304	Rubber Lip	DGBB	4.00
PTRY-3.50	17,600	27,200	5,750	13,100	Rubber Dual Lip	TRB	4.37
PTRY-4.00A	6,483	5,216	3,145	1,304	Rubber Lip	DGBB	6.36
PTRY-4.00	17,600	27,200	5,750	13,100	Rubber Dual Lip	TRB	6.77
PTRY-5.00	35,870	58,400	13,310	32,100	Rubber Dual Lip	TRB	12.55
PTRY-6.00	35,830	56,200	14,150	32,900	Rubber Dual Lip	TRB	19.77
PTRY-7.00	42,400	79,800	17,400	48,400	Rubber Lip	TRB	30.29
PTRY-8.00	83,700	159,800	39,000	110,000	Rubber Lip	TRB	44.84
PTRY-9.00	134,600	250,000	53,600	147,000	Rubber Lip	TRB	62.76
PTRY-10.00	137,300	276,000	62,000	194,000	Rubber Lip	TRB	84.24
PTRY-12.00	137,300	276,000	62,000	194,000	Rubber Lip	TRB	135.15
PTRY-14.00	137,300	276,000	62,000	194,000	Rubber Lip	TRB	194.78
PTRY-16.00	137,300	276,000	62,000	194,000	Rubber Lip	TRB	263.59
PTRY-18.00	137,300	276,000	62,000	194,000	Rubber Lip	TRB	341.58
PTRY-20.00	137,300	276,000	62,000	194,000	Rubber Lip	TRB	428.74

MPTRY Series Track Roller Assembly

Metric - Plain/Cylindrical – Yoke Type
Ball & Tapered Roller Bearings

PCI[®]
989.358.6148
www.pcimfg.com



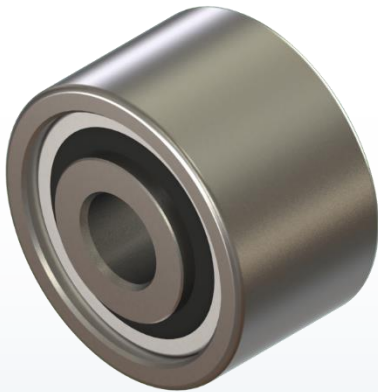
Yoke Type Track Roller Part Number	A	B	C	SD	SL	T
	Roller Dia. +.00 -.03 (mm)	Roller Width (mm)	Bore Dia. +.03 -.00 (mm)	Shoulder Dia. (mm)	Shoulder Length (mm)	Inner Race Width +.13 -.25 (mm)
MPTRY-40	40	22	10	22	0.5	23
MPTRY-50	50	32	15	28	0.5	33
MPTRY-62	62	38	19	35	1	40
MPTRY-62-1	62	38	20	35	1	40
MPTRY-62E	62	38	20	32	1	40
MPTRY-72	72	38	19	35	1	40
MPTRY-76	76	44	25	45	1	46
MPTRY-80	80	44	25	45	1	46
MPTRY-85	85	44	25	45	1	46
MPTRY-90	90	54	30	57	1	56
MPTRY-100	100	54	30	57	1	56
MPTRY-125	125	68	45	83	1.5	71
MPTRY-150	150	70	55	89	1.5	73
MPTRY-200	200	76	70	108	1.5	79
MPTRY-250	250	76	70	108	1.5	79

Optional PCI Yoke Shaft	Optional PCI Eccentric Yoke Shaft
MYSH-10	MYSHE-10
MYSH-15	MYSHE-15
MYSH-19	MYSHE-19
MYSH-20	MYSHE-20
MYSH-20	MYSHE-20
MYSH-19	MYSHE-19
MYSH-25	MYSHE-25
MYSH-25	MYSHE-25
MYSH-25	MYSHE-25
MYSH-30	MYSHE-30
MYSH-30	MYSHE-30
MYSH-45	MYSHE-45
MYSH-55	MYSHE-55
MYSH-70	MYSHE-70
MYSH-70	MYSHE-70

MPTRY Series Track Roller Assembly

Metric - Plain/Cylindrical – Yoke Type
Ball & Tapered Roller Bearings

PCI[®]
989.358.6148
www.pcimfg.com



ADDITIONAL NOTES

DGGB: Deep Groove Ball Bearings – Alloy Steel
TRB: Tapered Roller Bearings – Alloy Steel

PCI Heavy Duty Yoke Shafts are available at an additional cost. See YSH page for details.

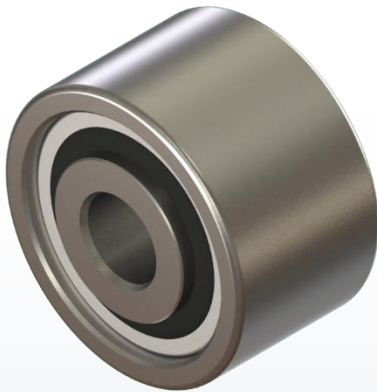
Specifications subject to change without notice.

Roller Diameter (mm)	Basic Radial Dynamic Load Rating (N) C	Basic Radial Static Load Rating (N) Co	Thrust Dynamic Load Rating (N)	Thrust Static Load Rating (N)	Seal Type	Bearing Type	Approx. Roller Weight (Kg)
MPTRY-40	7,480	5,100	3,390	1,270	Rubber Lip	DGGB	0.16
MPTRY-50	16,120	10,000	7,077	2,500	Rubber Lip	DGGB	0.35
MPTRY-62	19,270	13,100	8,750	3,270	Rubber Lip	DGGB	0.66
MPTRY-62-1	19,270	13,100	8,750	3,270	Rubber Lip	DGGB	0.65
MPTRY-62E	48,350	33,940	17,837	20,328	Rubber Dual Lip	TRB	1.62
MPTRY-72	23,970	15,600	10,700	3,900	Rubber Lip	DGGB	0.97
MPTRY-76	63,600	89,000	25,700	53,400	Rubber Dual Lip	TRB	1.17
MPTRY-80	63,600	89,000	25,700	53,400	Rubber Dual Lip	TRB	1.34
MPTRY-85	63,600	89,000	25,700	53,400	Rubber Dual Lip	TRB	1.56
MPTRY-90	78,200	120,990	25,570	58,270	Rubber Dual Lip	TRB	2.08
MPTRY-100	78,200	120,990	25,570	58,270	Rubber Dual Lip	TRB	2.70
MPTRY-125	159,000	259,700	59,000	142,700	Rubber Dual Lip	TRB	5.19
MPTRY-150	159,000	249,000	62,900	146,300	Rubber Dual Lip	TRB	7.28
MPTRY-200	257,000	366,000	108,000	131,000	Metallic Shield	TRB	14.30
MPTRY-250	257,000	366,000	108,000	131,000	Metallic Shield	TRB	24.64

PTRY-R Series Track Roller Assembly

Plain/Cylindrical – Yoke Type

Ball & Tapered Roller Bearings - Regreasable



ADDITIONAL NOTES

DGBB: Deep Groove Ball Bearings – Alloy Steel

TRB: Tapered Roller Bearings – Alloy Steel

PCI Heavy Duty Yoke Shafts are available at an additional cost. See YSH page for details.

Specifications subject to change without notice.

Yoke Type Track Roller Part Number	Basic Radial Dynamic Load Rating (lbs) C	Basic Radial Static Load Rating (lbs) Co	Thrust Dynamic Load Rating (lbs)	Thrust Static Load Rating (lbs)	Seal Type	Bearing Type	Approx. Roller Weight (lbs)
PTRY-1.50-R	1,683	1,147	764	287	Rubber Lip	DGBB	0.31
PTRY-1.75-R	1,683	1,147	764	287	Rubber Lip	DGBB	0.51
PTRY-2.00-R	3,624	2,248	1,591	562	Rubber Lip	DGBB	0.82
PTRY-2.25-R	3,624	2,248	1,591	562	Rubber Lip	DGBB	1.10
PTRY-2.50-R	5,390	3,507	2,407	877	Rubber Lip	DGBB	1.59
PTRY-2.50E-R	10,880	7,630	4,010	4,570	Rubber Dual Lip	TRB	1.62
PTRY-2.75-R	5,390	3,507	2,407	877	Rubber Lip	DGBB	2.03
PTRY-2.75E-R	10,880	7,630	4,010	4,570	Rubber Dual Lip	TRB	2.06
PTRY-3.00A-R	6,118	4,586	2,884	1,147	Rubber Lip	DGBB	2.47
PTRY-3.00-R	14,300	20,000	5,790	12,000	Rubber Dual Lip	TRB	2.67
PTRY-3.25A-R	6,118	4,586	2,884	1,147	Rubber Lip	DGBB	3.09
PTRY-3.25-R	14,300	20,000	5,790	12,000	Rubber Dual Lip	TRB	3.29
PTRY-3.50A-R	6,483	5,216	3,145	1,304	Rubber Lip	DGBB	4.00
PTRY-3.50-R	17,600	27,200	5,750	13,100	Rubber Dual Lip	TRB	4.37
PTRY-4.00A-R	6,483	5,216	3,145	1,304	Rubber Lip	DGBB	6.36
PTRY-4.00-R	17,600	27,200	5,750	13,100	Rubber Dual Lip	TRB	6.77
PTRY-5.00-R	35,870	58,400	13,310	32,100	Rubber Dual Lip	TRB	12.55
PTRY-6.00-R	35,830	56,200	14,150	32,900	Rubber Dual Lip	TRB	19.77
PTRY-7.00-R	42,400	79,800	17,400	48,400	Rubber Lip	TRB	30.29
PTRY-8.00-R	83,700	159,800	39,000	110,000	Rubber Lip	TRB	44.84
PTRY-9.00-R	134,600	250,000	53,600	147,000	Rubber Lip	TRB	62.76
PTRY-10.00-R	137,300	276,000	62,000	194,000	Rubber Lip	TRB	84.24
PTRY-12.00-R	137,300	276,000	62,000	194,000	Rubber Lip	TRB	135.15
PTRY-14.00-R	137,300	276,000	62,000	194,000	Rubber Lip	TRB	194.78
PTRY-16.00-R	137,300	276,000	62,000	194,000	Rubber Lip	TRB	263.59
PTRY-18.00-R	137,300	276,000	62,000	194,000	Rubber Lip	TRB	341.58
PTRY-20.00-R	137,300	276,000	62,000	194,000	Rubber Lip	TRB	428.74