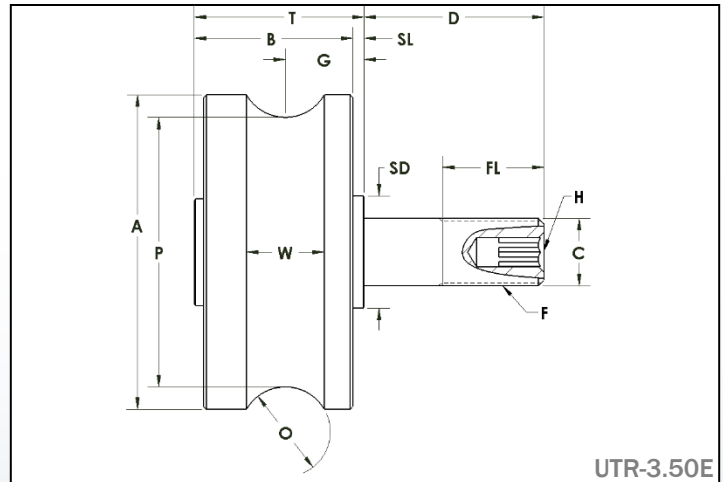
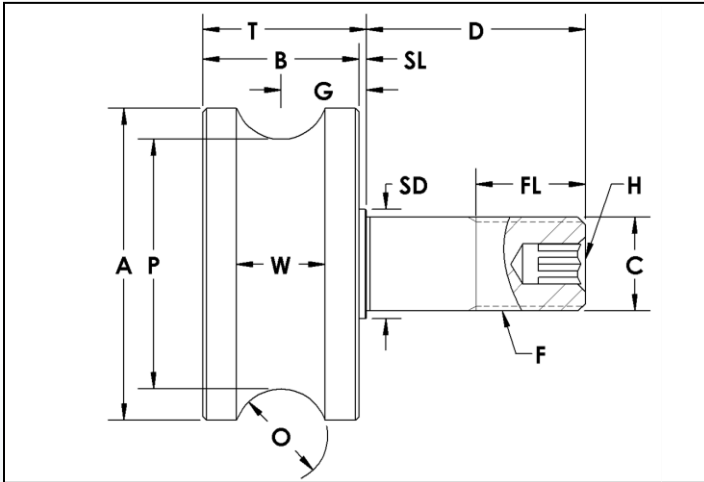


UTR Series Track Roller Assembly

U-Grooved – Stud Type Concentric
Ball & Tapered Roller Bearings

PCIT[®]
989.358.6148
www.pcimfg.com



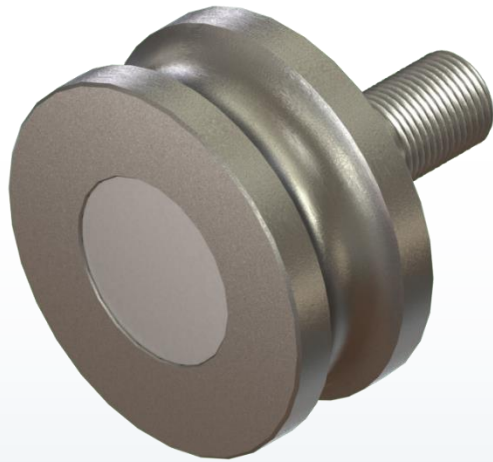
UTR-3.50E

Stud Type Track Roller Part Number	A	B	C	D	F	FL	G	H	O	P	SD	SL	T	W
	Roller Dia.	Roller Width	Stud Dia. +0.000 -0.001	Stud Length	Thread Size	Thread Length	Groove Center	Hex Size	Rail Size	Point Dia. +0.000 -0.001	Shoulder Dia.	Shoulder Length	Roller Width + Shoulder Length	Tread Width
UTR-1.50	1.50	0.75	0.437	1.00	7/16 - 20	0.50	0.41	3/16	1/2	1.250	0.5	0.03	0.78	0.43
UTR-1.75	1.75	0.75	0.437	1.00	7/16 - 20	0.50	0.41	3/16	1/2	1.500	0.5	0.03	0.78	0.43
UTR-2.00	2.00	0.81	0.500	1.25	1/2 - 20	0.63	0.44	3/16	5/8	1.750	0.6	0.03	0.84	0.50
UTR-2.50	2.50	1.25	0.750	1.75	3/4 - 16	0.88	0.69	5/16	3/4	2.000	0.9	0.06	1.31	0.71
UTR-3.50	3.50	1.63	0.875	2.00	7/8 - 14	1.13	0.88	5/16	1	3.000	1.0	0.06	1.69	0.87
UTR-3.50E*	3.50	1.65	0.750	2.00	3/4 - 16	1.13	0.88	5/16	1	3.000	0.9	0.13	1.90†	0.87
UTR-4.50A	4.50	1.94	1.250	2.50	1 1/4 - 12	1.75	1.00	1/2	1	4.000	1.5	0.06	2.00	0.87
UTR-4.50	4.50	1.94	1.250	2.50	1 1/4 - 12	1.75	1.00	1/2	1	4.000	1.8	0.06	2.00	0.87
UTR-5.50	5.50	1.94	1.250	2.75	1 1/4 - 12	1.75	1.00	1/2	1 1/4	5.000	1.8	0.06	2.00	1.00
UTR-6.00	5.94	2.94	2.000	4.50	2 - 12	2.50	1.50	5/8	1 1/2	5.000	3.0	0.06	3.00	1.39
UTR-7.00	6.94	2.94	2.500	5.50	2 1/2 - 12	3.25	1.50	5/8	2	6.000	3.5	0.06	3.00	1.69

† UTR-3.50E is designed with stud extending 7/64" from end of roller. Design does not incorporate a dust cover.

UTR Series Track Roller Assembly

U-Grooved – Stud Type Concentric
Ball & Tapered Roller Bearings



ADDITIONAL NOTES

*For lubricated threads, use half the maximum clamping torque value shown.

DGGB: Deep Groove Ball Bearings – Alloy Steel
TRB: Tapered Roller Bearings – Alloy Steel

Jam Nut & Lock Washer sets are available at an additional cost.

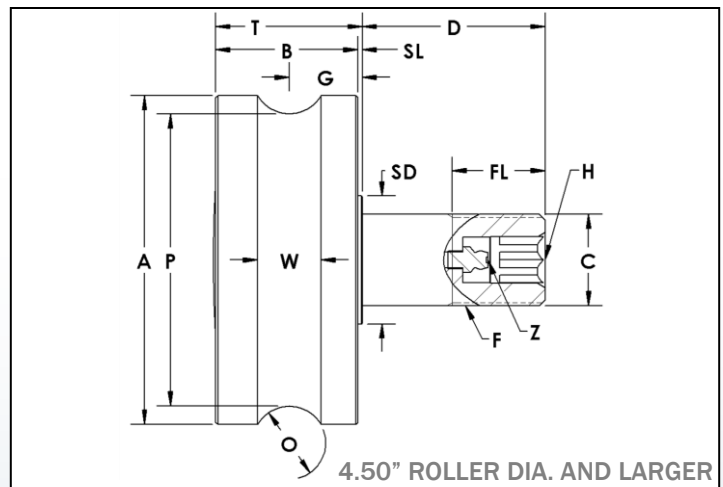
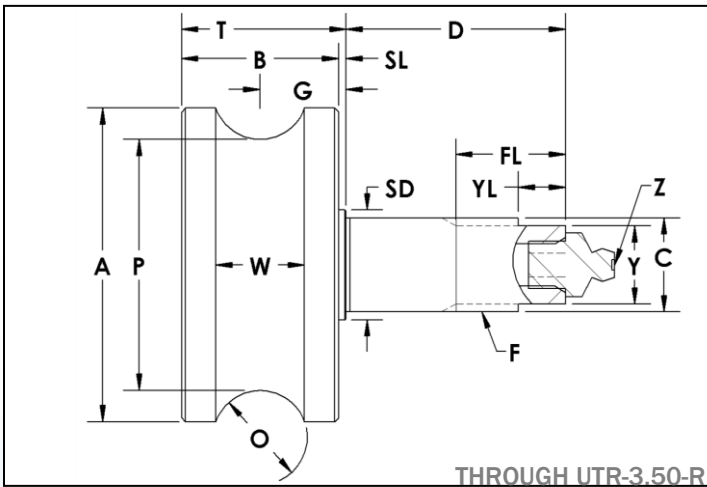
Specifications subject to change without notice.

Stud Type Track Roller Part Number	Basic Radial Dynamic Load Rating (lbs) C	Basic Radial Static Load Rating (lbs) Co	Thrust Dynamic Load Rating (lbs)	Thrust Static Load Rating (lbs)	Stud Capacity (lbs)	Retaining Ring Capacity (lbs)	Max. Clamping Torque (in-lbs)*	Seal Type	Bearing Type	Approx. Roller Weight (lbs)
UTR-1.50	956	480	331	60	530	470	180	Rubber Lip	DGGB	0.33
UTR-1.75	956	480	331	60	530	470	180	Rubber Lip	DGGB	0.46
UTR-2.00	1,231	640	430	80	930	470	180	Rubber Lip	DGGB	0.64
UTR-2.50	2,651	1,394	1,101	348	1,470	550	650	Rubber Lip	DGGB	1.54
UTR-3.50	3,624	2,136	1,563	534	4,660	900	650	Rubber Lip	DGGB	4.05
UTR-3.50E*	11,957	7,200	3,540	3,150	3,390	-	1,500	Rubber Dual Lip	TRB	4.05
UTR-4.50A	7,393	5,036	3,358	1,259	13,980	1,950	1,500	Rubber Lip	DGGB	8.31
UTR-4.50	14,300	20,000	5,790	12,000	13,980	-	1,500	Rubber Dual Lip	TRB	8.52
UTR-5.50	14,300	20,000	5,790	12,000	13,980	-	1,500	Rubber Dual Lip	TRB	12.78
UTR-6.00	35,870	58,400	13,310	32,100	38,190	-	1,500	Rubber Dual Lip	TRB	23.22
UTR-7.00	35,830	56,200	14,150	32,900	74,580	-	1,500	Rubber Dual Lip	TRB	33.45

UTR-R Series Track Roller Assembly

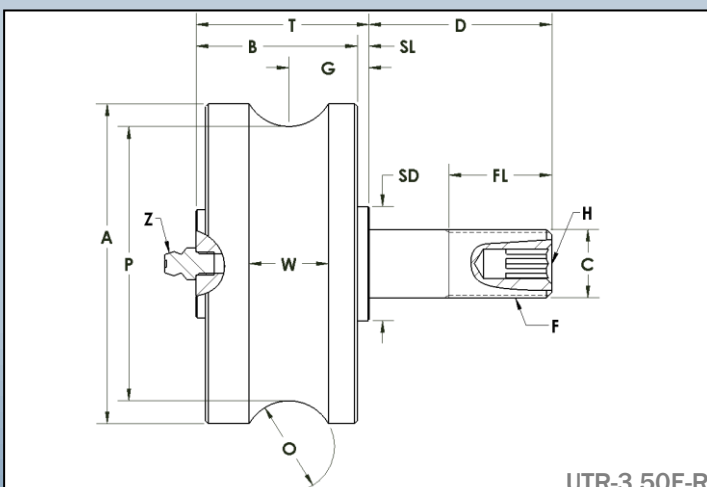
U-Grooved – Stud Type Concentric
Ball & Tapered Roller Bearings - Regreasable

PCF[®]
989.358.6148
www.pcfmfg.com



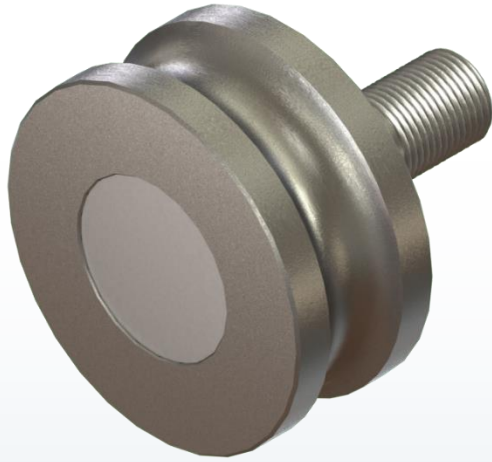
Stud Type Track Roller Part Number	A	B	C	D	F	FL	G	H	O	P	SD	SL	T	W	Y	YL	Z
	Roller Dia.	Roller Width	Stud Dia. +.000 -.001	Stud Length	Thread Size	Thread Length	Groove Center	Hex Size	Rail Size	Point Dia. +.000 -.001	Shoulder Dia.	Shoulder Length	Roller Width + Shoulder Length	Tread Width	Wrench Flat	Wrench Flat Length	Lube Size
UTR-1.50-R	1.50	0.75	0.437	1.00	7/16 - 20	0.50	0.41	-	1/2	1.250	0.5	0.03	0.78	0.43	0.312	0.250	1/8 Drive
UTR-1.75-R	1.75	0.75	0.437	1.00	7/16 - 20	0.50	0.41	-	1/2	1.500	0.5	0.03	0.78	0.43	0.312	0.250	1/8 Drive
UTR-2.00-R	2.00	0.81	0.500	1.25	1/2 - 20	0.63	0.44	-	5/8	1.750	0.6	0.03	0.84	0.50	0.375	0.250	1/8 Drive
UTR-2.50-R	2.50	1.25	0.750	1.75	3/4 - 16	0.88	0.69	-	3/4	2.000	0.9	0.06	1.31	0.71	0.625	0.375	1/8-27 NPT
UTR-3.50-R	3.50	1.63	0.875	2.00	7/8 - 14	1.13	0.88	-	1	3.000	1.0	0.06	1.69	0.87	0.625	0.375	1/8-27 NPT
UTR-3.50E-R*	3.50	1.65	0.750	2.00	3/4 - 16	1.13	0.88	5/16	1	3.000	0.9	0.13	1.90†	0.87	-	-	1/4-28 UNF
UTR-4.50A-R	4.50	1.94	1.250	2.50	1 1/4 - 12	1.75	1.00	5/8	1	4.000	1.5	0.06	2.00	0.87	-	-	1/4-28 UNF
UTR-4.50-R	4.50	1.94	1.250	2.50	1 1/4 - 12	1.75	1.00	5/8	1	4.000	1.8	0.06	2.00	0.87	-	-	1/4-28 UNF
UTR-5.50-R	5.50	1.94	1.250	2.75	1 1/4 - 12	1.75	1.00	5/8	1 1/4	5.000	1.8	0.06	2.00	1.00	-	-	1/4-28 UNF
UTR-6.00-R	5.94	2.94	2.000	4.50	2 - 12	2.50	1.50	5/8	1 1/2	5.000	3.0	0.06	3.00	1.39	-	-	1/4-28 UNF
UTR-7.00-R	6.94	2.94	2.500	5.50	2 1/2 - 12	3.25	1.50	5/8	2	6.000	3.5	0.06	3.00	1.69	-	-	1/4-28 UNF

*UTR-3.50E-R is regreasable through the stud extending 7/64" from end of roller. Design does not incorporate a dust cover.



UTR-R Series Track Roller Assembly

U-Grooved – Stud Type Concentric
Ball & Tapered Roller Bearings - Regreasable



ADDITIONAL NOTES

*For lubricated threads, use half the maximum clamping torque value shown.

DGGB: Deep Groove Ball Bearings – Alloy Steel
TRB: Tapered Roller Bearings – Alloy Steel

Jam Nut & Lock Washer sets are available at an additional cost.

Specifications subject to change without notice.

Stud Type Track Roller Part Number	Basic Radial Dynamic Load Rating (lbs) C	Basic Radial Static Load Rating (lbs) Co	Thrust Dynamic Load Rating (lbs)	Thrust Static Load Rating (lbs)	Stud Capacity (lbs)	Retaining Ring Capacity (lbs)	Max. Clamping Torque (in-lbs)*	Seal Type	Bearing Type	Approx. Roller Weight (lbs)
UTR-1.50-R	956	480	331	60	530	470	180	Rubber Lip	DGGB	0.33
UTR-1.75-R	956	480	331	60	530	470	180	Rubber Lip	DGGB	0.46
UTR-2.00-R	1,231	640	430	80	930	470	180	Rubber Lip	DGGB	0.64
UTR-2.50-R	2,651	1,394	1,101	348	1,470	550	650	Rubber Lip	DGGB	1.54
UTR-3.50-R	3,624	2,136	1,563	534	4,660	900	650	Rubber Lip	DGGB	4.05
UTR-3.50E-R	11,957	7,200	3,540	3,150	3,390	-	1,500	Rubber Dual Lip	TRB	4.05
UTR-4.50A-R	7,393	5,036	3,358	1,259	13,980	1,950	1,500	Rubber Lip	DGGB	8.31
UTR-4.50-R	14,300	20,000	5,790	12,000	13,980	-	1,500	Rubber Dual Lip	TRB	8.52
UTR-5.50-R	14,300	20,000	5,790	12,000	13,980	-	1,500	Rubber Dual Lip	TRB	12.78
UTR-6.00-R	35,870	58,400	13,310	32,100	38,190	-	1,500	Rubber Dual Lip	TRB	23.22
UTR-7.00-R	35,830	56,200	14,150	32,900	74,580	-	1,500	Rubber Dual Lip	TRB	33.45