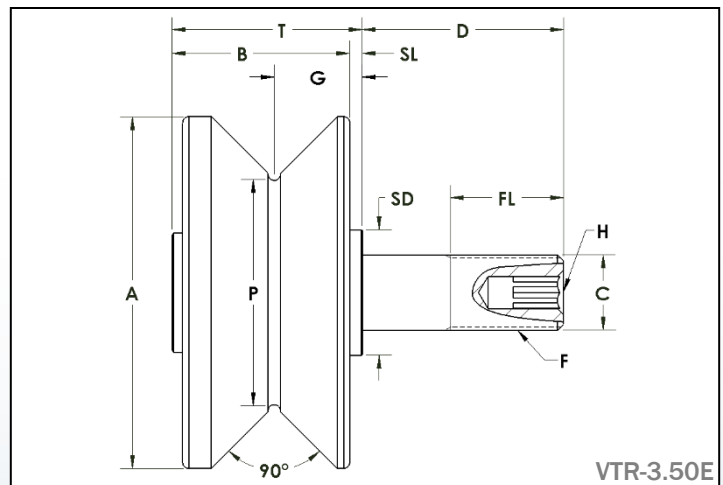
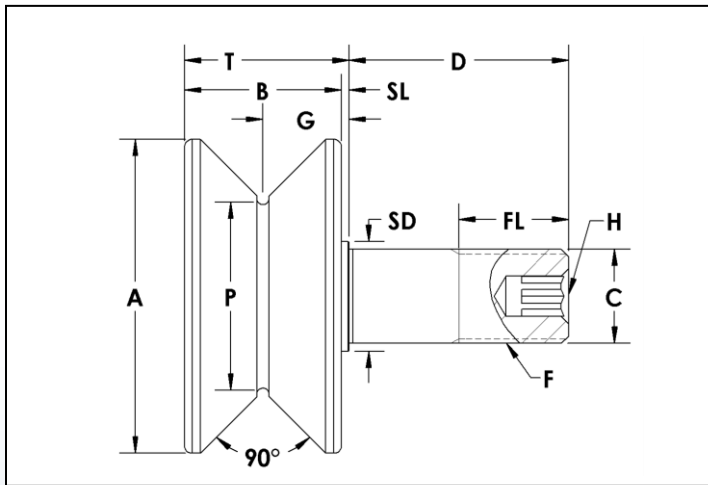


VTR Series Track Roller Assembly

V-Grooved – Stud Type Concentric
Ball & Tapered Roller Bearings

PCT[®]
989.358.6148
www.pcimfg.com



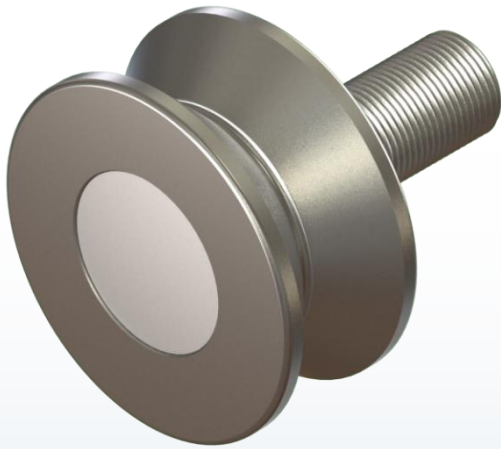
VTR-3.50E

| Stud Type Track Roller Part Number | A | B | C | D | F | FL | G | H | P | SD | SL | T |
|------------------------------------------|----------------|-----------------|--------------------------------|----------------|----------------|------------------|------------------|-------------|---------------------------------|------------------|--------------------|-----------------------------------------|
| | Roller Dia. | Roller Width | Stud Dia. +.000 -.001 | Stud Length | Thread Size | Thread Length | Groove Center | Hex Size | Point Dia. +.000 -.001 | Shoulder Dia. | Shoulder Length | Roller Width + Shoulder Length |
| VTR-1.50 | 1.50 | 0.75 | 0.437 | 1.00 | 7/16 - 20 | 0.50 | 0.39 | 3/16 | 1.125 | 0.5 | 0.03 | 0.78 |
| VTR-2.00 | 2.00 | 0.81 | 0.500 | 1.25 | 1/2 - 20 | 0.63 | 0.42 | 3/16 | 1.375 | 0.6 | 0.03 | 0.84 |
| VTR-2.50 | 2.50 | 1.13 | 0.750 | 1.75 | 3/4 - 16 | 0.88 | 0.69 | 5/16 | 1.500 | 0.9 | 0.06 | 1.19 |
| VTR-3.50 | 3.50 | 1.63 | 0.875 | 2.00 | 7/8 - 14 | 1.13 | 0.88 | 5/16 | 2.250 | 1.0 | 0.06 | 1.69 |
| VTR-3.50E* | 3.50 | 1.65 | 0.750 | 2.00 | 3/4 - 16 | 1.13 | 0.88 | 5/16 | 2.250 | 0.9 | 0.13 | 1.90† |
| VTR-4.50A | 4.50 | 1.94 | 1.250 | 2.50 | 1 1/4 - 12 | 1.75 | 1.00 | 1/2 | 3.000 | 1.5 | 0.06 | 2.00 |
| VTR-4.50 | 4.50 | 1.94 | 1.250 | 2.50 | 1 1/4 - 12 | 1.75 | 1.00 | 1/2 | 3.000 | 1.8 | 0.06 | 2.00 |
| VTR-5.50A | 5.50 | 1.94 | 1.250 | 2.75 | 1 1/4 - 12 | 1.75 | 1.00 | 1/2 | 4.000 | 1.5 | 0.06 | 2.00 |
| VTR-5.50 | 5.50 | 1.94 | 1.250 | 2.75 | 1 1/4 - 12 | 1.75 | 1.00 | 1/2 | 4.000 | 1.8 | 0.06 | 2.00 |
| VTR-6.50 | 6.50 | 2.94 | 2.000 | 4.50 | 2 - 12 | 2.50 | 1.50 | 5/8 | 5.000 | 3.0 | 0.06 | 3.00 |
| VTR-7.50 | 7.50 | 2.94 | 2.500 | 5.50 | 2 1/2 - 12 | 3.25 | 1.50 | 5/8 | 6.000 | 3.5 | 0.06 | 3.00 |
| VTR-8.50 | 8.50 | 2.94 | 2.500 | 5.50 | 2 1/2 - 12 | 3.25 | 1.50 | 5/8 | 6.000 | 3.5 | 0.06 | 3.00 |

† VTR-3.50E is designed with stud extending 7/64" from end of roller. Design does not incorporate a dust cover.

VTR Series Track Roller Assembly

V-Grooved – Stud Type Concentric
Ball & Tapered Roller Bearings



ADDITIONAL NOTES

*For lubricated threads, use half the maximum clamping torque value shown.

DGGB: Deep Groove Ball Bearings – Alloy Steel
TRB: Tapered Roller Bearings – Alloy Steel

Jam Nut & Lock Washer sets are available at an additional cost.

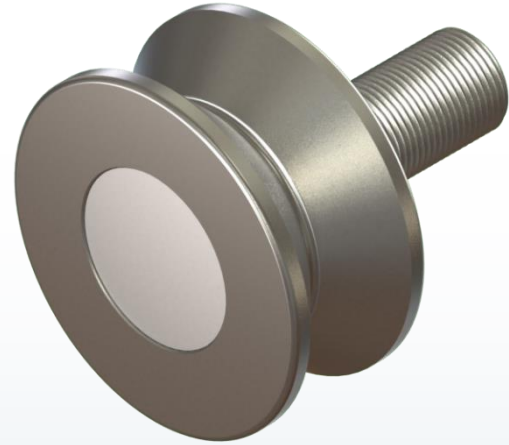
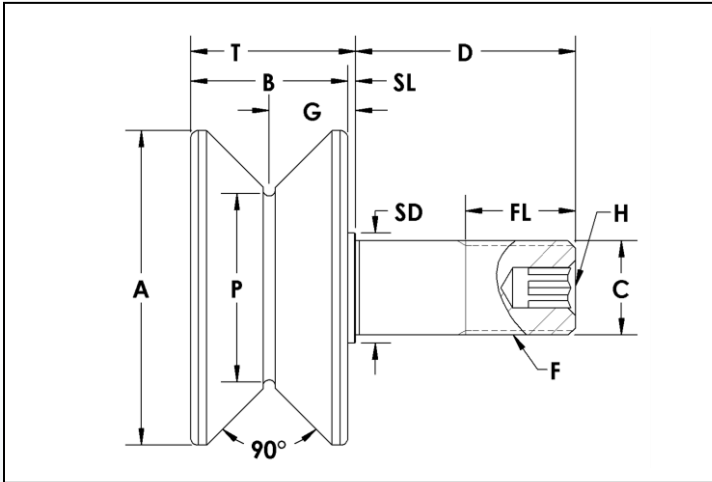
Specifications subject to change without notice.

| Stud Type Track Roller Part Number | Basic Radial Dynamic Load Rating (lbs) C | Basic Radial Static Load Rating (lbs) Co | Thrust Dynamic Load Rating (lbs) | Thrust Static Load Rating (lbs) | Stud Capacity (lbs) | Retaining Ring Capacity (lbs) | Max. Clamping Torque (in-lbs)* | Seal Type | Bearing Type | Approx. Roller Weight (lbs) |
|------------------------------------------|------------------------------------------------------|------------------------------------------------------|----------------------------------------------|---------------------------------------------|---------------------------|----------------------------------------|-----------------------------------------|-----------------|-----------------|--------------------------------------|
| VTR-1.50 | 956 | 480 | 331 | 60 | 530 | 470 | 180 | Rubber Lip | DGGB | 0.33 |
| VTR-2.00 | 1,231 | 640 | 430 | 80 | 930 | 470 | 180 | Rubber Lip | DGGB | 0.56 |
| VTR-2.50 | 2,651 | 1,394 | 1,101 | 348 | 1,670 | 550 | 650 | Rubber Lip | DGGB | 1.31 |
| VTR-3.50 | 4,661 | 3,012 | 2,076 | 753 | 4,460 | 1,340 | 650 | Rubber Lip | DGGB | 3.44 |
| VTR-3.50E | 11,957 | 7,200 | 3,540 | 3,150 | 3,390 | - | 1,500 | Rubber Dual Lip | TRB | 3.40 |
| VTR-4.50A | 7,393 | 5,036 | 3,358 | 1,259 | 13,980 | 1,950 | 1,500 | Rubber Lip | DGGB | 6.68 |
| VTR-4.50 | 14,300 | 20,000 | 5,790 | 12,000 | 13,980 | - | 1,500 | Rubber Dual Lip | TRB | 6.88 |
| VTR-5.50A | 7,393 | 5,036 | 3,358 | 1,259 | 13,980 | 1,950 | 1,500 | Rubber Lip | DGGB | 10.82 |
| VTR-5.50 | 14,300 | 20,000 | 5,790 | 12,000 | 13,980 | - | 1,500 | Rubber Dual Lip | TRB | 11.04 |
| VTR-6.50 | 35,870 | 58,400 | 13,310 | 32,100 | 38,190 | - | 1,500 | Rubber Dual Lip | TRB | 27.42 |
| VTR-7.50 | 35,830 | 56,200 | 14,150 | 32,900 | 74,580 | - | 1,500 | Rubber Dual Lip | TRB | 39.14 |
| VTR-8.50 | 35,830 | 56,200 | 14,150 | 32,900 | 74,580 | - | 1,500 | Rubber Dual Lip | TRB | 48.68 |

MVTR Series Track Roller Assembly

Metric - V-Grooved – Stud Type Concentric
Ball & Tapered Roller Bearings

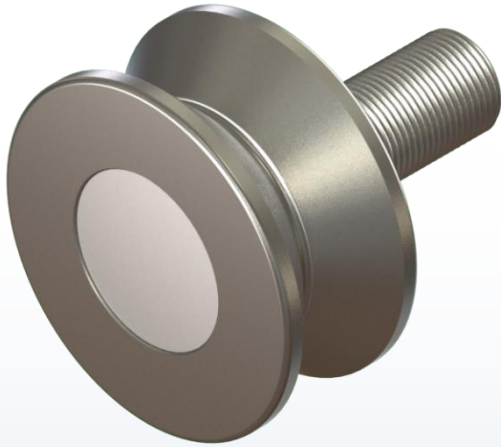
PCT[®]
989.358.6148
www.pcimfg.com



| Stud Type Track Roller Part Number | A | B | C | D | F | FL | G | H | P | SD | SL | T |
|------------------------------------------|----------------------------------------|-------------------------|--------------------------------------|------------------------|----------------|--------------------------|--------------------------|---------------------|-----------------------|--------------------------|----------------------------|-------------------------------------------------|
| | Roller Dia. +.00 -.03 (mm) | Roller Width (mm) | Stud Dia. +.00 -.03 (mm) | Stud Length (mm) | Thread Size | Thread Length (mm) | Groove Center (mm) | Hex Size (mm) | Point Dia. (mm) | Shoulder Dia. (mm) | Shoulder Length (mm) | Roller Width + Shoulder Length (mm) |
| MVTR-26 | 40 | 19.2 | 10 | 23 | M10 X 1 | 13 | 10 | 4 | 26 | 13.1 | 0.8 | 20 |
| MVTR-32 | 50 | 21.2 | 12 | 25 | M12 X 1.5 | 14 | 11 | 4 | 32 | 15.9 | 0.8 | 22 |
| MVTR-40 | 60 | 31.4 | 14 | 40 | M14 X 2 | 26 | 17 | 6 | 40 | 18 | 1.6 | 33 |
| MVTR-62 | 90 | 42.9 | 24 | 58 | M24 X 3 | 35 | 23 | 8 | 62 | 32 | 1.6 | 45 |
| MVTR-62-1 | 90 | 42.9 | 24 | 50 | M24 X 1.5 | 25 | 23 | 8 | 62 | 32 | 1.6 | 45 |
| MVTR-76 | 120 | 49 | 30 | 70 | M30 X 3.5 | 40 | 26 | 12 | 76 | 44.5 | 1.6 | 50.5 |
| MVTR-100-1 | 140 | 49 | 30 | 70 | M30 X 3.5 | 40 | 26 | 12 | 100 | 44.5 | 1.6 | 50.5 |
| MVTR-100 | 140 | 48.9 | 30 | 80 | M30 X 3.5 | 50 | 26 | 12 | 100 | 44.5 | 1.6 | 51 |
| MVTR-125 | 165 | 74 | 48 | 105 | M48 X 5 | 60 | 38 | 12 | 125 | 76.2 | 1.6 | 76 |

MVTR Series Track Roller Assembly

Metric - V-Grooved – Stud Type Concentric
Ball & Tapered Roller Bearings



ADDITIONAL NOTES

*For lubricated threads, use half the maximum clamping torque value shown.

DGBB: Deep Groove Ball Bearings – Alloy Steel
TRB: Tapered Roller Bearings – Alloy Steel

Jam Nut & Lock Washer sets are available at an additional cost.

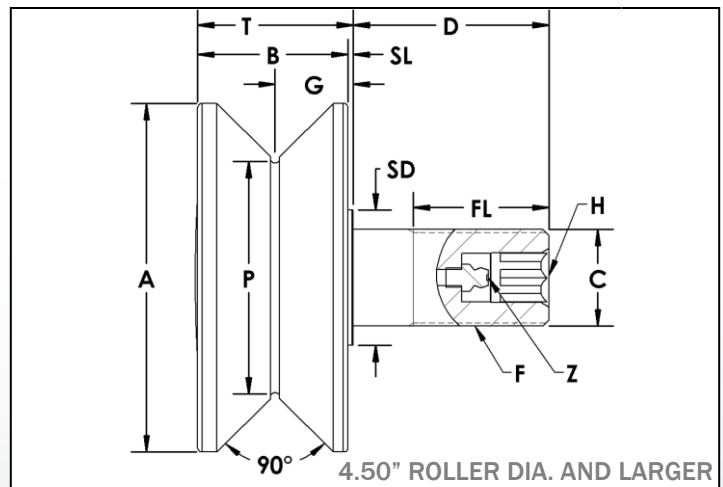
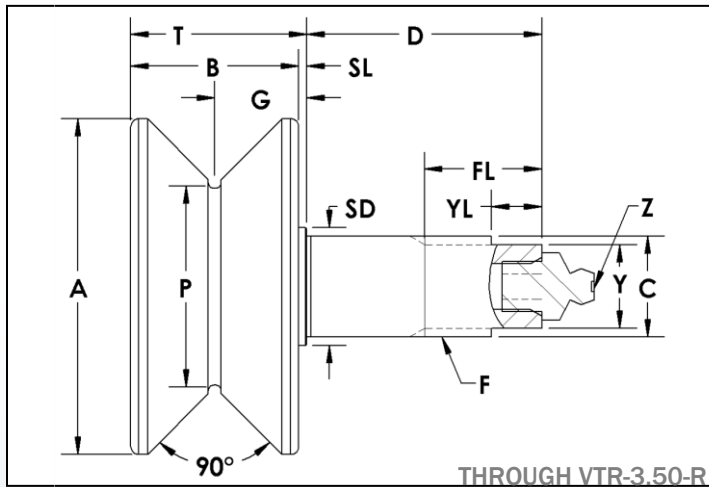
Specifications subject to change without notice.

| Stud Type Track Roller Part Number | Basic Radial Dynamic Load Rating (N) C | Basic Radial Static Load Rating (N) C ₀ | Thrust Dynamic Load Rating (N) | Thrust Static Load Rating (N) | Stud Capacity (N) | Retaining Ring Capacity (N) | Max. Clamping Torque (Nm)* | Seal Type | Bearing Type | Approx. Roller Weight (Kg) |
|---------------------------------------------|----------------------------------------------------|----------------------------------------------------------------|--------------------------------------------|-------------------------------------------|-------------------------|--------------------------------------|-------------------------------------|-----------------|-----------------|-------------------------------------|
| MVTR-26 | 4,250 | 2,130 | 1,470 | 265 | 2,600 | 2,090 | 20 | Rubber Lip | DGBB | 0.23 |
| MVTR-32 | 5,470 | 2,840 | 1,900 | 350 | 4,300 | 2,090 | 20 | Rubber Lip | DGBB | 0.26 |
| MVTR-40 | 11,790 | 6,200 | 4,890 | 1,540 | 7,400 | 2,440 | 20 | Rubber Lip | DGBB | 0.53 |
| MVTR-62 | 20,732 | 13,398 | 9,236 | 3,350 | 21,200 | 5,960 | 68 | Rubber Lip | DGBB | 1.79 |
| MVTR-62-1 | 20,732 | 13,398 | 9,236 | 3,350 | 21,200 | 5,960 | 68 | Rubber Lip | DGBB | 1.9 |
| MVTR-76 | 63,600 | 89,000 | 25,700 | 53,400 | 52,780 | - | 136 | Rubber Dual Lip | TRB | 3.3 |
| MVTR-100-1 | 63,600 | 89,000 | 25,700 | 53,400 | 52,780 | - | 136 | Rubber Dual Lip | TRB | 4.8 |
| MVTR-100 | 63,600 | 89,000 | 25,700 | 53,400 | 52,780 | - | 136 | Rubber Dual Lip | TRB | 4.8 |
| MVTR-125 | 159,000 | 259,700 | 59,000 | 142,700 | 143,500 | - | 136 | Rubber Dual Lip | TRB | 11.6 |

VTR-R Series Track Roller Assembly

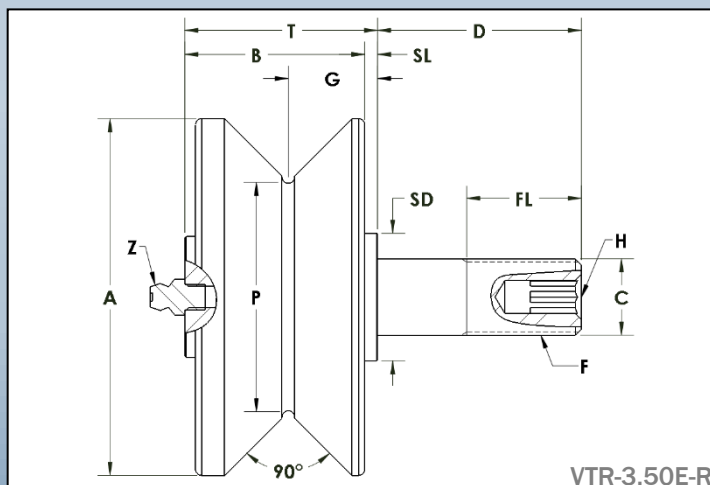
V-Grooved – Stud Type Concentric
Ball & Tapered Roller Bearings - Regreasable

PCT
989.358.6148
www.pcimfg.com



| Stud Type Track Roller Part Number | A | B | C | D | F | FL | G | H | P | SD | SL | T | Y | YL | Z |
|------------------------------------------|----------------|-----------------|--------------------------------|----------------|----------------|------------------|------------------|-------------|---------------------------------|------------------|--------------------|-----------------------------------------|----------------|--------------------------|--------------|
| | Roller Dia. | Roller Width | Stud Dia. +.000 -.001 | Stud Length | Thread Size | Thread Length | Groove Center | Hex Size | Point Dia. +.000 -.001 | Shoulder Dia. | Shoulder Length | Roller Width + Shoulder Length | Wrench Flat | Wrench Flat Length | Lube Size |
| VTR-1.50-R | 1.50 | 0.75 | 0.437 | 1.00 | 7/16 - 20 | 0.50 | 0.39 | - | 1.125 | 0.5 | 0.03 | 0.78 | 0.312 | 0.250 | 1/8 Drive |
| VTR-2.00-R | 2.00 | 0.81 | 0.500 | 1.25 | 1/2 - 20 | 0.63 | 0.42 | - | 1.375 | 0.6 | 0.03 | 0.84 | 0.375 | 0.250 | 1/8 Drive |
| VTR-2.50-R | 2.50 | 1.13 | 0.750 | 1.75 | 3/4 - 16 | 0.88 | 0.69 | - | 1.500 | 0.9 | 0.06 | 1.19 | 0.625 | 0.375 | 1/8-27 NPT |
| VTR-3.50-R | 3.50 | 1.63 | 0.875 | 2.00 | 7/8 - 14 | 1.13 | 0.88 | - | 2.250 | 1.0 | 0.06 | 1.69 | 0.625 | 0.375 | 1/8-27 NPT |
| VTR-3.50E-R* | 3.50 | 1.65 | 0.750 | 2.00 | 3/4 - 16 | 1.13 | 0.88 | 5/16 | 2.250 | 0.9 | 0.13 | 1.90† | - | - | 1/4-28 UNF |
| VTR-4.50A-R | 4.50 | 1.94 | 1.250 | 2.50 | 1 1/4 - 12 | 1.75 | 1.00 | 5/8 | 3.000 | 1.5 | 0.06 | 2.00 | - | - | 1/4-28 UNF |
| VTR-4.50-R | 4.50 | 1.94 | 1.250 | 2.50 | 1 1/4 - 12 | 1.75 | 1.00 | 5/8 | 3.000 | 1.8 | 0.06 | 2.00 | - | - | 1/4-28 UNF |
| VTR-5.50A-R | 5.50 | 1.94 | 1.250 | 2.75 | 1 1/4 - 12 | 1.75 | 1.00 | 5/8 | 4.000 | 1.5 | 0.06 | 2.00 | - | - | 1/4-28 UNF |
| VTR-5.50-R | 5.50 | 1.94 | 1.250 | 2.75 | 1 1/4 - 12 | 1.75 | 1.00 | 5/8 | 4.000 | 1.8 | 0.06 | 2.00 | - | - | 1/4-28 UNF |
| VTR-6.50-R | 6.50 | 2.94 | 2.000 | 4.50 | 2 - 12 | 2.50 | 1.50 | 5/8 | 5.000 | 3.0 | 0.06 | 3.00 | - | - | 1/4-28 UNF |
| VTR-7.50-R | 7.50 | 2.94 | 2.500 | 5.50 | 2 1/2 - 12 | 3.25 | 1.50 | 5/8 | 6.000 | 3.5 | 0.06 | 3.00 | - | - | 1/4-28 UNF |
| VTR-8.50-R | 8.50 | 2.94 | 2.500 | 5.50 | 2 1/2 - 12 | 3.25 | 1.50 | 5/8 | 6.000 | 3.5 | 0.06 | 3.00 | - | - | 1/4-28 UNF |

† VTR-3.50E-R is regreasable through the stud extending 7/64" from end of roller. Design does not incorporate a dust cover.



VTR-R Series Track Roller Assembly

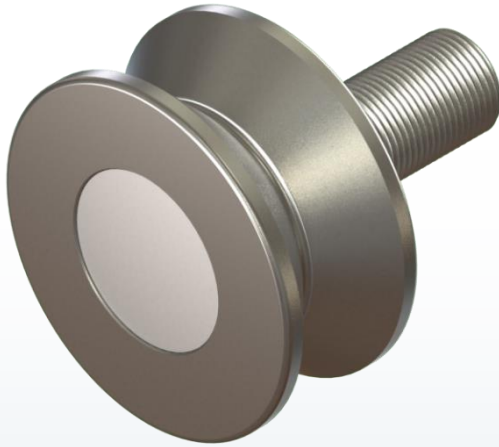
V-Grooved – Stud Type Concentric

Ball & Tapered Roller Bearings - Regreasable



989.358.6148

www.pcimfg.com



ADDITIONAL NOTES

*For lubricated threads, use half the maximum clamping torque value shown.

DGGB: Deep Groove Ball Bearings – Alloy Steel
TRB: Tapered Roller Bearings – Alloy Steel

Jam Nut & Lock Washer sets are available at an additional cost.

Specifications subject to change without notice.

| Stud Type Track Roller Part Number | Basic Radial Dynamic Load Rating (lbs) C | Basic Radial Static Load Rating (lbs) Co | Thrust Dynamic Load Rating (lbs) | Thrust Static Load Rating (lbs) | Stud Capacity (lbs) | Retaining Ring Capacity (lbs) | Max. Clamping Torque (in-lbs)* | Seal Type | Bearing Type | Approx. Roller Weight (lbs) |
|------------------------------------------|------------------------------------------------------|------------------------------------------------------|----------------------------------------------|---------------------------------------------|---------------------------|----------------------------------------|-----------------------------------------|-----------------|-----------------|--------------------------------------|
| VTR-1.50-R | 956 | 480 | 331 | 60 | 530 | 470 | 180 | Rubber Lip | DGGB | 0.33 |
| VTR-2.00-R | 1,231 | 640 | 430 | 80 | 930 | 470 | 180 | Rubber Lip | DGGB | 0.56 |
| VTR-2.50-R | 2,651 | 1,394 | 1,101 | 348 | 1,670 | 550 | 650 | Rubber Lip | DGGB | 1.31 |
| VTR-3.50-R | 4,661 | 3,012 | 2,076 | 753 | 4,460 | 1,340 | 650 | Rubber Lip | DGGB | 3.44 |
| VTR-3.50E-R | 11,957 | 7,200 | 3,540 | 3,150 | 3,390 | - | 1,500 | Rubber Dual Lip | TRB | 3.40 |
| VTR-4.50A-R | 7,393 | 5,036 | 3,358 | 1,259 | 13,980 | 1,950 | 1,500 | Rubber Lip | DGGB | 6.85 |
| VTR-4.50-R | 14,300 | 20,000 | 5,790 | 12,000 | 13,980 | - | 1,500 | Rubber Dual Lip | TRB | 6.88 |
| VTR-5.50A-R | 7,393 | 5,036 | 3,358 | 1,259 | 13,980 | 1,950 | 1,500 | Rubber Lip | DGGB | 10.82 |
| VTR-5.50-R | 14,300 | 20,000 | 5,790 | 12,000 | 13,980 | - | 1,500 | Rubber Dual Lip | TRB | 11.04 |
| VTR-6.50-R | 35,870 | 58,400 | 13,310 | 32,100 | 38,190 | - | 1,500 | Rubber Dual Lip | TRB | 27.42 |
| VTR-7.50-R | 35,830 | 56,200 | 14,150 | 32,900 | 74,580 | - | 1,500 | Rubber Dual Lip | TRB | 39.14 |
| VTR-8.50-R | 35,830 | 56,200 | 14,150 | 32,900 | 74,580 | - | 1,500 | Rubber Dual Lip | TRB | 48.68 |