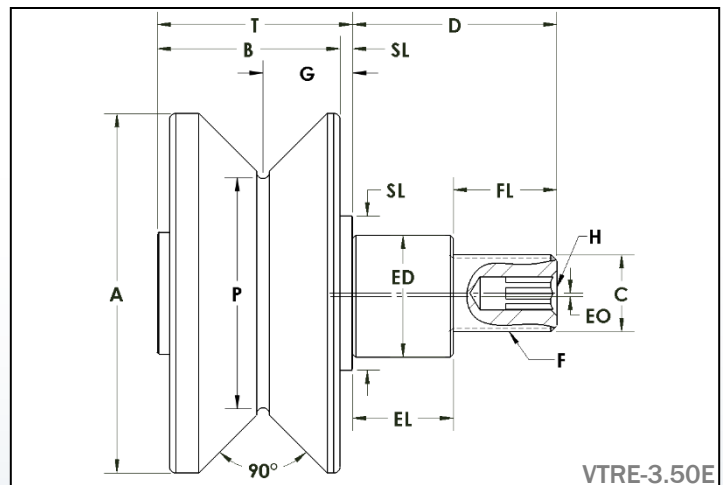
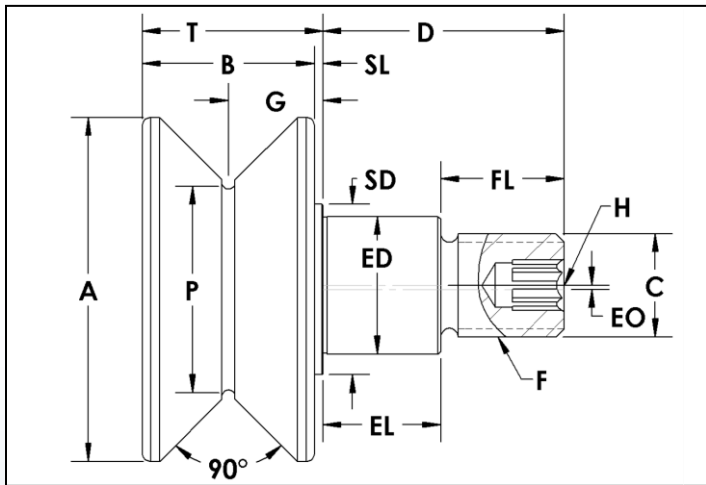


VTRE Series Track Roller Assembly

V-Grooved – Stud Type Eccentric
Ball & Tapered Roller Bearings

PCF[®]
989.358.6148
www.pcmfg.com



VTRE-3.50E

Stud Type Track Roller Part Number	A	B	C	D	ED	EL	EO	F	FL	G	H	P	SD	SL	T
	Roller Dia.	Roller Width	Stud Dia. +.000 -.001	Stud Length	Ecc Dia +.000 -.002	Ecc Length	Ecc Offset	Thread Size	Thread Length	Groove Center	Hex Size	Point Dia. +.000 -.001	Shoulder Dia.	Shoulder Length	Roller Width + Shoulder Length
VTRE-1.50	1.50	0.75	0.437	1.00	0.625	0.48	0.03	7/16 - 20	0.52	0.39	3/16	1.125	0.7	0.03	0.78
VTRE-2.00	2.00	0.81	0.500	1.25	0.687	0.61	0.03	1/2 - 20	0.65	0.42	3/16	1.375	0.8	0.03	0.84
VTRE-2.50	2.50	1.13	0.750	1.75	1.000	0.86	0.03	3/4 - 16	0.90	0.69	5/16	1.500	1.3	0.06	1.19
VTRE-3.50	3.50	1.63	0.875	2.00	1.187	0.98	0.03	7/8 - 14	1.02	0.88	5/16	2.250	1.5	0.06	1.69
VTRE-3.50E*	3.50	1.65	0.750	2.00	1.187	0.98	0.03	3/4 - 16	1.02	0.88	5/16	2.250	1.5	0.13	1.90†
VTRE-4.50A	4.50	1.94	1.250	2.50	1.750	1.23	0.06	1 1/4 - 12	1.27	1.00	1/2	3.000	2.2	0.06	2.00
VTRE-4.50	4.50	1.94	1.250	2.50	1.750	1.23	0.06	1 1/4 - 12	1.27	1.00	1/2	3.000	2.2	0.06	2.20
VTRE-5.50A	5.50	1.94	1.250	2.75	1.812	1.36	0.06	1 1/4 - 12	1.40	1.00	1/2	4.000	2.2	0.06	2.00
VTRE-5.50	5.50	1.94	1.250	2.75	1.812	1.36	0.06	1 1/4 - 12	1.40	1.00	1/2	4.000	2.2	0.06	2.00
VTRE-6.50	6.50	2.94	2.000	4.50	2.625	2.13	0.06	2 - 12	2.38	1.50	5/8	5.000	3.3	0.06	3.00
VTRE-7.50	7.50	2.94	2.500	5.50	3.125	2.88	0.06	2 1/2 - 12	2.63	1.50	5/8	6.000	3.6	0.06	3.00

† VTRE-3.50E is designed with stud extending 7/64" from end of roller. Design does not incorporate a dust cover.

VTRE Series Track Roller Assembly

V-Grooved – Stud Type Eccentric
Ball & Tapered Roller Bearings



ADDITIONAL NOTES

*For lubricated threads, use half the maximum clamping torque value shown.

DGBB: Deep Groove Ball Bearings – Alloy Steel
TRB: Tapered Roller Bearings – Alloy Steel

Jam Nut & Lock Washer sets are available at an additional cost.

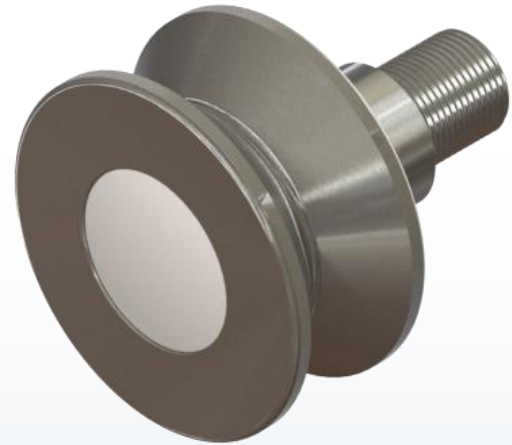
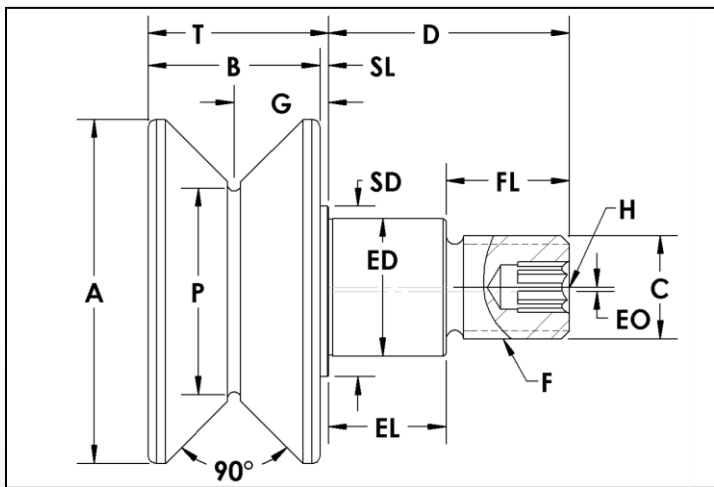
Specifications subject to change without notice.

Stud Type Track Roller Part Number	Basic Radial Dynamic Load Rating (lbs) C	Basic Radial Static Load Rating (lbs) Co	Thrust Dynamic Load Rating (lbs)	Thrust Static Load Rating (lbs)	Stud Capacity (lbs)	Retaining Ring Capacity (lbs)	Max. Clamping Torque (in-lbs)*	Seal Type	Bearing Type	Approx. Roller Weight (lbs)
VTRE-1.50	956	480	331	60	530	470	250	Rubber Lip	DGBB	0.36
VTRE-2.00	1,231	640	430	80	930	470	180	Rubber Lip	DGBB	0.59
VTRE-2.50	2,651	1,394	1,101	348	1,680	550	650	Rubber Lip	DGBB	1.38
VTRE-3.50	4,661	3,012	2,076	753	5,680	1,340	650	Rubber Lip	DGBB	3.49
VTRE-3.50E	11,957	7,200	3,540	3,150	3,390	-	1,500	Rubber Dual Lip	TRB	3.51
VTRE-4.50A	7,393	5,036	3,358	1,259	13,980	1,950	1,500	Rubber Lip	DGBB	7.31
VTRE-4.50	14,300	20,000	5,790	12,000	12,710	-	1,500	Rubber Dual Lip	TRB	7.36
VTRE-5.50A	7,393	5,036	3,358	1,259	13,980	1,950	1,500	Rubber Lip	DGBB	11.24
VTRE-5.50	14,300	20,000	5,790	12,000	13,980	-	1,500	Rubber Dual Lip	TRB	11.33
VTRE-6.50	35,870	58,400	13,310	32,100	38,190	-	1,500	Rubber Dual Lip	TRB	28.81
VTRE-7.50	35,830	56,200	14,150	32,900	74,580	-	1,500	Rubber Dual Lip	TRB	41.17

MVTRE Series Track Roller Assembly

Metric - V-Grooved – Stud Type Eccentric
Ball & Tapered Roller Bearings

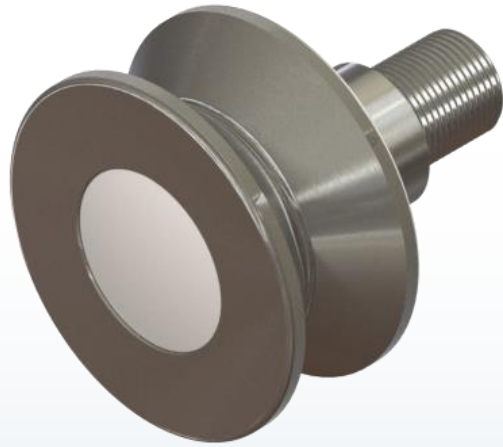
PCT[®]
989.358.6148
www.pcimfg.com



Stud Type Track Roller Part Number	A	B	C	D	ED	EL	EO	F	FL	G	H	P	SD	SL	T
	Roller Dia. +.00 -.03 (mm)	Roller Width (mm)	Stud Dia. +.00 -.03 (mm)	Stud Length (mm)	Ecc Dia +.000 -.002 (mm)	Ecc Length (mm)	Ecc Offset (mm)	Thread Size	Thread Length (mm)	Groove Center (mm)	Hex Size (mm)	Point Dia. (mm)	Shoulder Dia. (mm)	Shoulder Length (mm)	Roller Width + Shoulder Length (mm)
MVTRE-26	40	19.2	10	23	13	10	0.5	M10 X 1	13	10	4	26	17.1	0.8	20
MVTRE-32	50	21.2	12	25	15	11	0.5	M12 X 1.5	14	11	4	32	17.5	0.8	22
MVTRE-40	60	31.4	14	40	22	13	1	M14 X 2	26	17	6	40	28.5	1.6	33
MVTRE-62	90	42.9	24	58	28	20	1.5	M24 X 3	35	23	8	62	43	1.6	45
MVTRE-62-1	90	42.9	20	50	28	22	1	M20 X 1.5	25	23	8	62	43	1.6	45
MVTRE-76	120	49	24	70	35	29	2	M24 X 1.5	40	26	12	76	50	1.6	50.5
MVTRE-100-1	140	49	24	70	35	29	2	M24 X 1.5	40	26	12	100	50	1.6	50.5
MVTRE-100	140	48.9	24	80	35	29	2	M24 X 1.5	50	26	12	100	50	1.6	51
MVTRE-125	165	74	48	105	64	50	2	M48 X 5	60	38	12	125	89	1.6	76

MVTRE Series Track Roller Assembly

Metric - V-Grooved – Stud Type Eccentric
Ball & Tapered Roller Bearings



ADDITIONAL NOTES

*For lubricated threads, use half the maximum clamping torque value shown.

DGBB: Deep Groove Ball Bearings – Alloy Steel
TRB: Tapered Roller Bearings – Alloy Steel

Jam Nut & Lock Washer sets are available at an additional cost.

Specifications subject to change without notice.

Stud Type Track Roller Part Number	Basic Radial Dynamic Load Rating (N) C	Basic Radial Static Load Rating (N) C	Thrust Dynamic Load Rating (N)	Thrust Static Load Rating (N)	Stud Capacity (N)	Retaining Ring Capacity (N)	Max. Clamping Torque (Nm)*	Seal Type	Bearing Type	Approx. Roller Weight (Kg)
MVTRE-26	4,250	2,130	1,470	265	2,600	2,090	20	Rubber Lip	DGBB	0.23
MVTRE-32	5,470	2,840	1,900	350	4,300	2,090	20	Rubber Lip	DGBB	0.26
MVTRE-40	11,790	6,200	4,890	1,540	7,400	2,440	20	Rubber Lip	DGBB	0.53
MVTRE-62	20,732	13,398	9,236	3,350	21,200	5,960	68	Rubber Lip	DGBB	1.79
MVTRE-62-1	20,732	13,398	9,236	3,350	21,200	5,960	68	Rubber Lip	DGBB	1.9
MVTRE-76	63,600	89,000	25,700	53,400	52,780	-	136	Rubber Dual Lip	TRB	3.3
MVTRE-100-1	63,600	89,000	25,700	53,400	52,780	-	136	Rubber Dual Lip	TRB	4.8
MVTRE-100	63,600	89,000	25,700	53,400	52,780	-	136	Rubber Dual Lip	TRB	4.8
MVTRE-125	159,000	259,700	59,000	142,700	143,500	-	136	Rubber Dual Lip	TRB	11.6

VTRE-R Series Track Roller Assembly

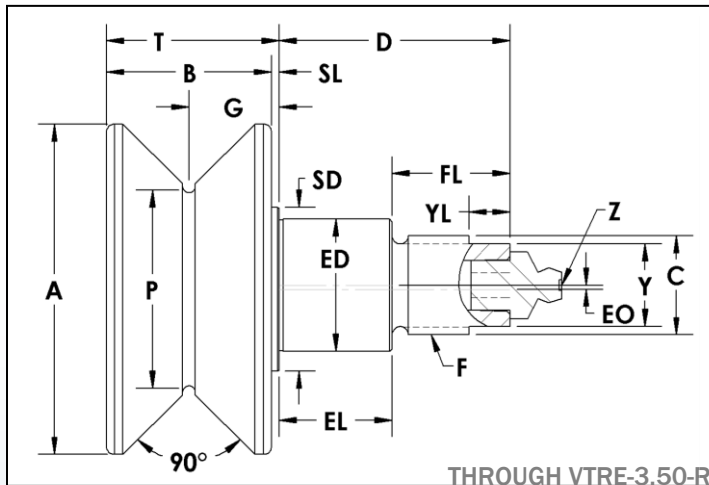
V-Grooved – Stud Type Eccentric

Ball & Tapered Roller Bearings - Regreasable

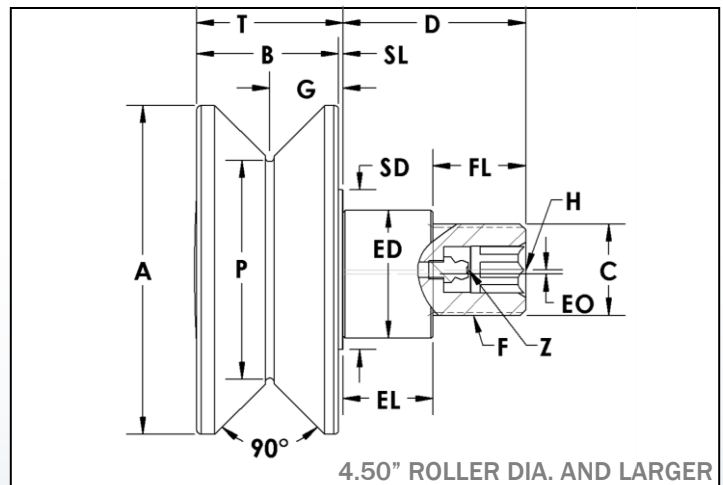


989.358.6148

www.pcimfg.com



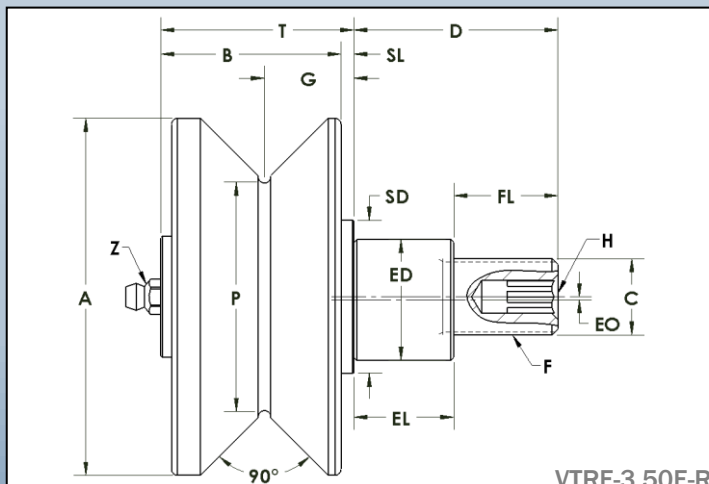
THROUGH VTRE-3.50-R



4.50" ROLLER DIA. AND LARGER

Stud Type Track Roller Part Number	A	B	C	D	ED	EL	EO	F	FL	G	H	P	SD	SL	T	Y	YL	Z
	Roller Dia.	Roller Width	Stud Dia. +0.000 -0.001	Stud Length	Ecc Dia +0.000 -0.002	Ecc Length	Ecc Offset	Thread Size	Thread Length	Groove Center	Hex Size	Point Dia. +0.000 -0.001	Shoulder Dia.	Shoulder Length	Roller Width + Shoulder Length	Wrench Flat	Wrench Flat Length	Lube Size
VTRE-1.50-R	1.50	0.75	0.437	1.00	0.625	0.48	0.03	7/16 - 20	0.52	0.39	-	1.125	0.7	0.03	0.78	0.312	0.250	1/8 Drive
VTRE-2.00-R	2.00	0.81	0.500	1.25	0.687	0.61	0.03	1/2 - 20	0.65	0.42	-	1.375	0.8	0.03	0.84	0.375	0.250	1/8 Drive
VTRE-2.50-R	2.50	1.13	0.750	1.75	1.000	0.86	0.03	3/4 - 16	0.90	0.69	-	1.500	1.3	0.06	1.19	0.625	0.375	1/8-27 NPT
VTRE-3.50-R	3.50	1.63	0.875	2.00	1.187	0.98	0.03	7/8 - 14	1.02	0.88	-	2.250	1.5	0.06	1.69	0.625	0.375	1/8-27 NPT
VTRE-3.50E-R*	3.50	1.65	0.750	2.00	1.187	0.98	0.03	3/4 - 16	1.02	0.88	5/16	2.250	1.5	0.13	1.90†	-	-	1/4-28 UNF
VTRE-4.50A-R	4.50	1.94	1.250	2.50	1.750	1.23	0.06	1 1/4 - 12	1.27	1.00	5/8	3.000	2.2	0.06	2.00	-	-	1/4-28 UNF
VTRE-4.50-R	4.50	1.94	1.250	2.50	1.750	1.23	0.06	1 1/4 - 12	1.27	1.00	5/8	3.000	2.2	0.06	2.20	-	-	1/4-28 UNF
VTRE-5.50A-R	5.50	1.94	1.250	2.75	1.812	1.36	0.06	1 1/4 - 12	1.40	1.00	5/8	4.000	2.2	0.06	2.00	-	-	1/4-28 UNF
VTRE-5.50-R	5.50	1.94	1.250	2.75	1.812	1.36	0.06	1 1/4 - 12	1.40	1.00	5/8	4.000	2.2	0.06	2.00	-	-	1/4-28 UNF
VTRE-6.50-R	6.50	2.94	2.000	4.50	2.625	2.13	0.06	2 - 12	2.38	1.50	5/8	5.000	3.3	0.06	3.00	-	-	1/4-28 UNF
VTRE-7.50-R	7.50	2.94	2.500	5.50	3.125	2.88	0.06	2 1/2 - 12	2.63	1.50	5/8	6.000	3.6	0.06	3.00	-	-	1/4-28 UNF

† VTRE-3.50E-R is regreasable through the stud extending 7/64" from end of roller. Design does not incorporate a dust cover.



VTRE-3.50E-R

VTRE-R Series Track Roller Assembly

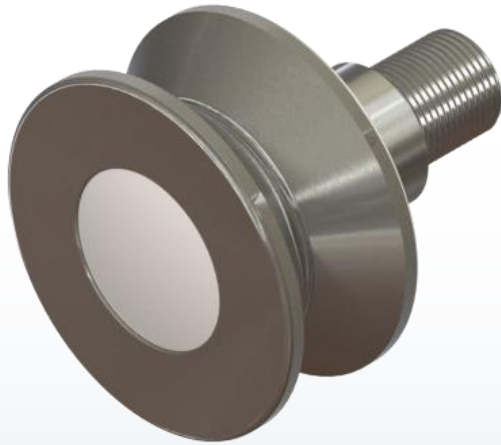
V-Grooved – Stud Type Eccentric

Ball & Tapered Roller Bearings - Regreasable



989.358.6148

www.pcimfg.com



ADDITIONAL NOTES

*For lubricated threads, use half the maximum clamping torque value shown.

DGBB: Deep Groove Ball Bearings – Alloy Steel
TRB: Tapered Roller Bearings – Alloy Steel

Jam Nut & Lock Washer sets are available at an additional cost.

Specifications subject to change without notice.

Stud Type Track Roller Part Number	Basic Radial Dynamic Load Rating (lbs) C	Basic Radial Static Load Rating (lbs) Co	Thrust Dynamic Load Rating (lbs)	Thrust Static Load Rating (lbs)	Stud Capacity (lbs)	Retaining Ring Capacity (lbs)	Max. Clamping Torque (in-lbs)*	Seal Type	Bearing Type	Approx. Roller Weight (lbs)
VTRE-1.50-R	956	480	331	60	530	470	250	Rubber Lip	DGBB	0.36
VTRE-2.00-R	1,231	640	430	80	930	470	180	Rubber Lip	DGBB	0.59
VTRE-2.50-R	2,651	1,394	1,101	348	1,680	550	650	Rubber Lip	DGBB	1.38
VTRE-3.50-R	4,661	3,012	2,076	753	5,680	1,340	650	Rubber Lip	DGBB	3.49
VTRE-3.50E-R	11,957	7,200	3,540	3,150	3,390	-	1,500	Rubber Dual Lip	TRB	3.51
VTRE-4.50A-R	7,393	5,036	3,358	1,259	13,980	1,950	1,500	Rubber Lip	DGBB	7.31
VTRE-4.50-R	14,300	20,000	5,790	12,000	12,710	-	1,500	Rubber Dual Lip	TRB	7.36
VTRE-5.50A-R	7,393	5,036	3,358	1,259	13,980	1,950	1,500	Rubber Lip	DGBB	11.24
VTRE-5.50-R	14,300	20,000	5,790	12,000	13,980	-	1,500	Rubber Dual Lip	TRB	11.33
VTRE-6.50-R	35,870	58,400	13,310	32,100	38,190	-	1,500	Rubber Dual Lip	TRB	28.81
VTRE-7.50-R	35,830	56,200	14,150	32,900	74,580	-	1,500	Rubber Dual Lip	TRB	41.17