

VTRY Series Track Roller Assembly

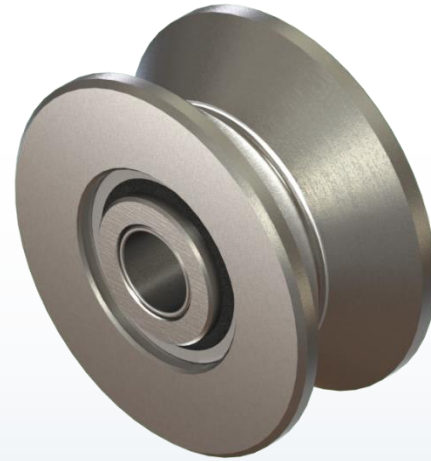
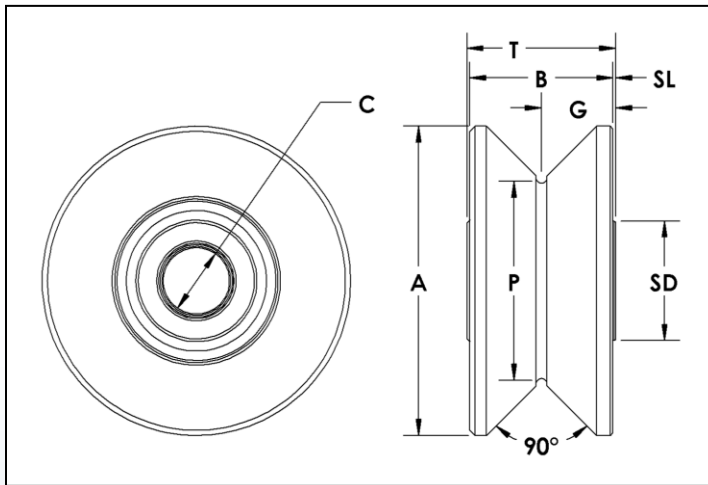
V-Grooved – Yoke Type

Ball & Tapered Roller Bearings



989.358.6148

www.pcimfg.com



| Yoke Type Track Roller Part Number | A | B | C | G | P | SD | SL | T |
|--|-------|-------|--------|------|--------|-----|------|-------|
| VTRY-2.50-9 | 2.50 | 0.880 | 0.4380 | 0.47 | 1.750 | 0.9 | 0.03 | 0.937 |
| VTRY-2.50 | 2.50 | 1.250 | 0.6255 | 0.66 | 2.000 | 1.1 | 0.03 | 1.313 |
| VTRY-3.00 | 3.00 | 1.250 | 0.6255 | 0.66 | 2.060 | 1.1 | 0.03 | 1.313 |
| VTRY-3.50-9 | 3.50 | 1.500 | 0.7505 | 0.78 | 2.250 | 1.2 | 0.03 | 1.563 |
| VTRY-3.50 | 3.50 | 1.625 | 0.7505 | 0.84 | 2.250 | 1.2 | 0.03 | 1.687 |
| VTRY-3.75A | 3.75 | 1.500 | 0.7505 | 0.78 | 2.500 | 1.2 | 0.03 | 1.563 |
| VTRY-3.75 | 3.75 | 1.500 | 0.7505 | 0.78 | 2.500 | 1.3 | 0.03 | 1.563 |
| VTRY-4.50A | 4.50 | 1.750 | 1.0005 | 0.91 | 3.000 | 1.8 | 0.03 | 1.813 |
| VTRY-4.50 | 4.50 | 1.750 | 1.0005 | 0.91 | 3.000 | 1.8 | 0.03 | 1.813 |
| VTRY-5.00A | 5.00 | 2.000 | 1.1255 | 1.03 | 3.500 | 2.0 | 0.03 | 2.063 |
| VTRY-5.00 | 5.00 | 2.000 | 1.1255 | 1.03 | 3.500 | 2.0 | 0.03 | 2.063 |
| VTRY-5.50A | 5.50 | 2.250 | 1.2505 | 1.16 | 4.000 | 2.0 | 0.03 | 2.313 |
| VTRY-5.50 | 5.50 | 2.250 | 1.2505 | 1.16 | 4.000 | 2.0 | 0.03 | 2.313 |
| VTRY-6.50 | 6.50 | 2.750 | 1.7508 | 1.44 | 5.000 | 3.2 | 0.06 | 2.875 |
| VTRY-7.50 | 7.50 | 3.250 | 2.2508 | 1.69 | 6.000 | 3.5 | 0.06 | 3.375 |
| VTRY-8.50 | 8.50 | 3.750 | 2.7508 | 1.94 | 7.000 | 4.1 | 0.06 | 3.875 |
| VTRY-9.50 | 9.50 | 4.250 | 3.2560 | 2.25 | 8.000 | 4.7 | 0.13 | 4.500 |
| VTRY-10.50 | 10.50 | 4.750 | 3.7560 | 2.50 | 9.000 | 5.3 | 0.13 | 5.000 |
| VTRY-11.50 | 11.50 | 5.250 | 4.2560 | 2.75 | 10.000 | 6.5 | 0.13 | 5.500 |
| VTRY-12.50 | 12.50 | 5.250 | 4.2560 | 2.75 | 11.000 | 6.5 | 0.13 | 5.500 |
| VTRY-14.50 | 14.50 | 5.250 | 4.2560 | 2.75 | 13.000 | 6.5 | 0.13 | 5.500 |
| VTRY-16.50 | 16.50 | 5.250 | 4.2560 | 2.75 | 15.000 | 6.5 | 0.13 | 5.500 |
| VTRY-18.50 | 18.50 | 5.250 | 4.2560 | 2.75 | 17.000 | 6.5 | 0.13 | 5.500 |
| VTRY-20.50 | 20.50 | 5.250 | 4.2560 | 2.75 | 19.000 | 6.5 | 0.13 | 5.500 |

| Optional PCI Yoke Shaft | Optional PCI Eccentric Yoke Shaft |
|-------------------------------|--|
| YSH-.437 | YSHE-.437 |
| YSH-.625 | YSHE-.625 |
| YSH-.625 | YSHE-.625 |
| YSH-.750 | YSHE-.750 |
| YSH-.750 | YSHE-.750 |
| YSH-.750 | YSHE-.750 |
| YSH-.750 | YSHE-.750 |
| YSH-1.000 | YSHE-1.000 |
| YSH-1.000 | YSHE-1.000 |
| YSH-1.125 | YSHE-1.125 |
| YSH-1.125 | YSHE-1.125 |
| YSH-1.250 | YSHE-1.250 |
| YSH-1.250 | YSHE-1.250 |
| YSH-1.750 | YSHE-1.750 |
| YSH-2.250 | YSHE-2.250 |
| YSH-2.750 | YSHE-2.750 |
| YSH-3.250 | - |
| YSH-3.750 | - |
| YSH-4.250 | - |
| YSH-4.250 | - |
| YSH-4.250 | - |
| YSH-4.250 | - |
| YSH-4.250 | - |

VTRY Series Track Roller Assembly

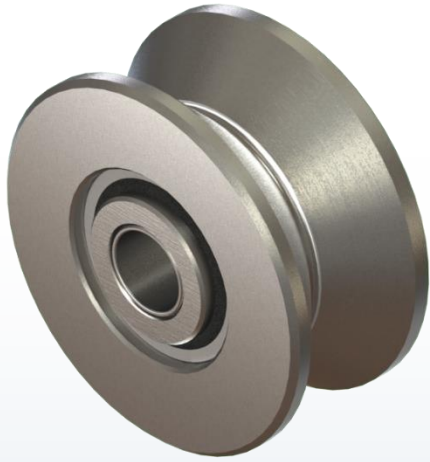
V-Grooved – Yoke Type

Ball & Tapered Roller Bearings



989.358.6148

www.pcimfg.com



ADDITIONAL NOTES

DGBB: Deep Groove Ball Bearings – Alloy Steel

TRB: Tapered Roller Bearings – Alloy Steel

PCI Heavy Duty Yoke Shafts are available at an additional cost. See YSH page for details.

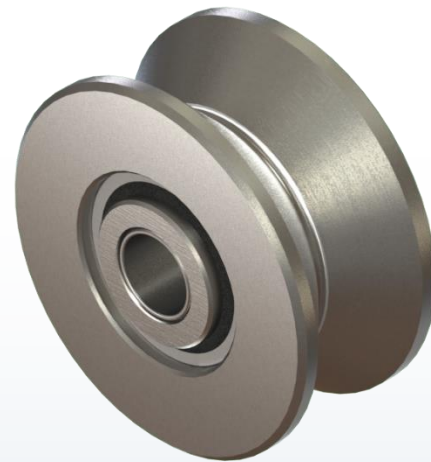
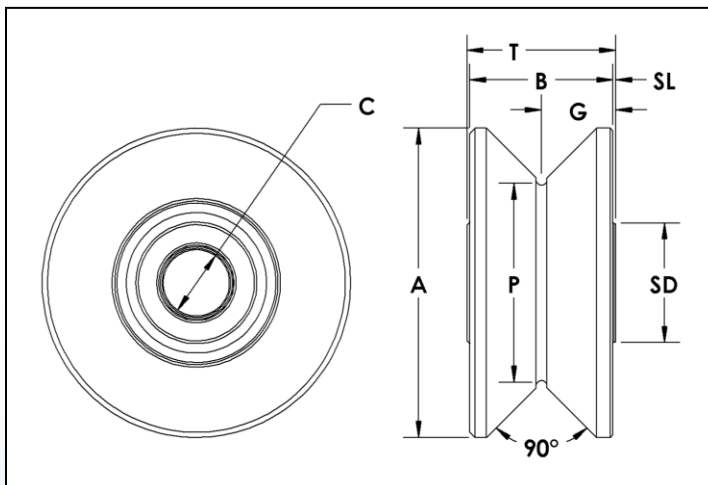
Specifications subject to change without notice.

| Yoke Type Track Roller Part Number | Basic Radial Dynamic Load Rating (lbs) C | Basic Radial Static Load Rating (lbs) Co | Thrust Dynamic Load Rating (lbs) | Thrust Static Load Rating (lbs) | Seal Type | Bearing Type | Approx. Roller Weight (lbs) |
|--|--|--|---|--|-----------------|-----------------|--------------------------------------|
| VTRY-2.50-9 | 1,683 | 1,147 | 764 | 287 | Rubber Lip | DGBB | 0.82 |
| VTRY-2.50 | 3,624 | 2,248 | 1,591 | 562 | Rubber Lip | DGBB | 1.3 |
| VTRY-3.00 | 3,624 | 2,248 | 1,591 | 562 | Rubber Lip | DGBB | 1.69 |
| VTRY-3.50-9 | 4,334 | 2,945 | 1,967 | 736 | Rubber Lip | DGBB | 2.53 |
| VTRY-3.50 | 4,334 | 2,945 | 1,967 | 736 | Rubber Lip | DGBB | 2.7 |
| VTRY-3.75A | 5,390 | 3,507 | 2,407 | 877 | Rubber Lip | DGBB | 3.05 |
| VTRY-3.75 | 10,880 | 7,630 | 4,010 | 4,570 | Rubber Dual Lip | TRB | 3.08 |
| VTRY-4.50A | 6,118 | 4,586 | 2,884 | 1,147 | Rubber Lip | DGBB | 4.88 |
| VTRY-4.50 | 14,300 | 20,000 | 5,790 | 12,000 | Rubber Dual Lip | TRB | 5.12 |
| VTRY-5.00A | 6,483 | 5,216 | 3,145 | 1,304 | Rubber Lip | DGBB | 7.48 |
| VTRY-5.00 | 17,600 | 27,200 | 5,750 | 13,100 | Rubber Dual Lip | TRB | 7.61 |
| VTRY-5.50A | 6,483 | 5,216 | 3,145 | 1,304 | Rubber Lip | DGBB | 11.06 |
| VTRY-5.50 | 17,600 | 27,200 | 5,750 | 13,100 | Rubber Dual Lip | TRB | 11.56 |
| VTRY-6.50 | 35,870 | 58,400 | 13,310 | 32,100 | Rubber Dual Lip | TRB | 20.4 |
| VTRY-7.50 | 35,830 | 56,200 | 14,150 | 32,900 | Rubber Dual Lip | TRB | 31.14 |
| VTRY-8.50 | 42,400 | 79,800 | 17,400 | 48,400 | Rubber Lip | TRB | 45.37 |
| VTRY-9.50 | 83,700 | 159,800 | 39,000 | 110,000 | Rubber Lip | TRB | 64.81 |
| VTRY-10.50 | 134,600 | 250,000 | 53,600 | 147,000 | Rubber Lip | TRB | 88.12 |
| VTRY-11.50 | 137,300 | 276,000 | 62,000 | 194,000 | Rubber Lip | TRB | 115.79 |
| VTRY-12.50 | 137,300 | 276,000 | 62,000 | 194,000 | Rubber Lip | TRB | 143.27 |
| VTRY-14.50 | 137,300 | 276,000 | 62,000 | 194,000 | Rubber Lip | TRB | 204.21 |
| VTRY-16.50 | 137,300 | 276,000 | 62,000 | 194,000 | Rubber Lip | TRB | 263.59 |
| VTRY-18.50 | 137,300 | 276,000 | 62,000 | 194,000 | Rubber Lip | TRB | 253.62 |
| VTRY-20.50 | 137,300 | 276,000 | 62,000 | 194,000 | Rubber Lip | TRB | 442.08 |

MVTRY Series Track Roller Assembly

Metric - V-Grooved – Yoke Type
Ball & Tapered Roller Bearings

PCI[®]
989.358.6148
www.pcimfg.com

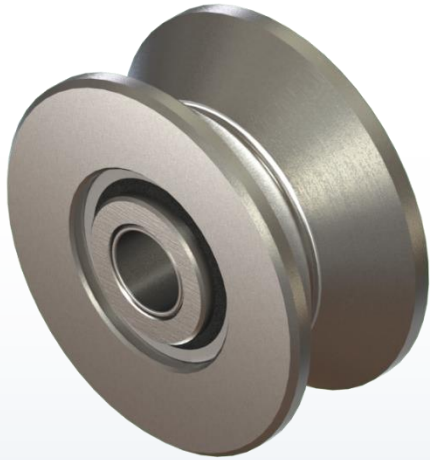


| Yoke Type Track Roller Part Number | A | B | C | G | P | SD | SL | T |
|--|--|-------------------------|--------------------------------------|--------------------------|-----------------------|--------------------------|----------------------------|--|
| | Roller Dia. +.00 -.03 (mm) | Roller Width (mm) | Bore Dia. +.03 -.00 (mm) | Groove Center (mm) | Point Dia. (mm) | Shoulder Dia. (mm) | Shoulder Length (mm) | Inner Race Width +.13 -.25 (mm) |
| MVTRY-40 | 60 | 22 | 10 | 12 | 40 | 22 | 0.5 | 23 |
| MVTRY-50 | 75 | 32 | 15 | 17 | 50 | 28 | 0.5 | 33 |
| MVTRY-62 | 90 | 38 | 19 | 20 | 62 | 35 | 1 | 40 |
| MVTRY-62-1 | 90 | 38 | 20 | 20 | 62 | 35 | 1 | 40 |
| MVTRY-62E | 90 | 38 | 20 | 20 | 62 | 32 | 1 | 40 |
| MVTRY-76 | 110 | 44 | 25 | 23 | 76 | 45 | 1 | 46 |
| MVTRY-100 | 140 | 54 | 30 | 28 | 100 | 57 | 1 | 56 |
| MVTRY-125 | 165 | 68 | 45 | 36 | 125 | 83 | 1.5 | 71 |
| MVTRY-150 | 190 | 70 | 55 | 37 | 150 | 89 | 1.5 | 73 |
| MVTRY-200 | 240 | 76 | 70 | 40 | 200 | 108 | 1.5 | 79 |
| MVTRY-250 | 290 | 76 | 70 | 40 | 250 | 108 | 1.5 | 79 |

| Optional PCI Yoke Shaft | Optional PCI Eccentric Yoke Shaft |
|-------------------------------|--|
| MYSH-10 | MYSHE-10 |
| MYSH-15 | MYSHE-15 |
| MYSH-19 | MYSHE-19 |
| MYSH-20 | MYSHE-20 |
| MYSH-20 | MYSHE-20 |
| MYSH-25 | MYSHE-25 |
| MYSH-30 | MYSHE-30 |
| MYSH-45 | MYSHE-45 |
| MYSH-55 | MYSHE-55 |
| MYSH-70 | MYSHE-70 |
| MYSH-70 | MYSHE-70 |

MVTRY Series Track Roller Assembly

Metric - V-Grooved – Yoke Type
Ball & Tapered Roller Bearings



ADDITIONAL NOTES

DGGB: Deep Groove Ball Bearings – Alloy Steel
TRB: Tapered Roller Bearings – Alloy Steel

PCI Heavy Duty Yoke Shafts are available at an additional cost. See YSH page for details.

Specifications subject to change without notice.

| Roller Diameter (mm) | Basic Radial Dynamic Load Rating (N) C | Basic Radial Static Load Rating (N) Co | Thrust Dynamic Load Rating (N) | Thrust Static Load Rating (N) | Seal Type | Bearing Type | Approx. Roller Weight (Kg) |
|----------------------|--|--|--------------------------------|-------------------------------|-----------------|--------------|----------------------------|
| MVTRY-40 | 7,480 | 5,100 | 3,390 | 1,270 | Rubber Lip | DGGB | 0.29 |
| MVTRY-50 | 16,120 | 10,000 | 7,077 | 2,500 | Rubber Lip | DGGB | 0.70 |
| MVTRY-62 | 19,270 | 13,100 | 8,750 | 3,270 | Rubber Lip | DGGB | 1.25 |
| MVTRY-62-1 | 19,270 | 13,100 | 8,750 | 3,270 | Rubber Lip | DGGB | 1.24 |
| MVTRY-62E | 48,350 | 33,940 | 17,837 | 20,328 | Rubber Dual Lip | TRB | 1.50 |
| MVTRY-76 | 63,600 | 89,000 | 25,700 | 53,400 | Rubber Dual Lip | TRB | 2.16 |
| MVTRY-100 | 78,200 | 120,990 | 25,570 | 58,270 | Rubber Dual Lip | TRB | 4.60 |
| MVTRY-125 | 159,000 | 259,700 | 59,000 | 142,700 | Rubber Dual Lip | TRB | 8.49 |
| MVTRY-150 | 159,000 | 249,000 | 62,900 | 146,300 | Rubber Dual Lip | TRB | 11.33 |
| MVTRY-200 | 257,000 | 366,000 | 108,000 | 131,000 | Metallic Shield | TRB | 20.18 |
| MVTRY-250 | 257,000 | 366,000 | 108,000 | 131,000 | Metallic Shield | TRB | 31.87 |

VTRY-R Series Track Roller Assembly

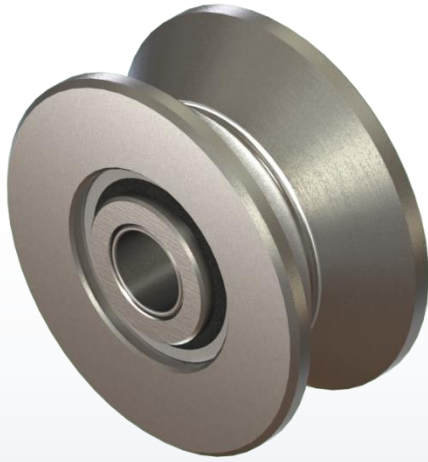
V-Grooved – Yoke Type

Ball & Tapered Roller Bearings - Regreasable



989.358.6148

www.pcimfg.com



ADDITIONAL NOTES

DGBB: Deep Groove Ball Bearings – Alloy Steel

TRB: Tapered Roller Bearings – Alloy Steel

PCI Heavy Duty Yoke Shafts are available at an additional cost. See YSH page for details.

Specifications subject to change without notice.

| Yoke Type Track Roller Part Number | Basic Radial Dynamic Load Rating (lbs) C | Basic Radial Static Load Rating (lbs) Co | Thrust Dynamic Load Rating (lbs) | Thrust Static Load Rating (lbs) | Seal Type | Bearing Type | Approx. Roller Weight (lbs) |
|--|--|--|---|--|-----------------|-----------------|--------------------------------------|
| VTRY-2.50-9-R | 1,683 | 1,147 | 764 | 287 | Rubber Lip | DGBB | 0.82 |
| VTRY-2.50-R | 3,624 | 2,248 | 1,591 | 562 | Rubber Lip | DGBB | 1.3 |
| VTRY-3.00-R | 3,624 | 2,248 | 1,591 | 562 | Rubber Lip | DGBB | 1.69 |
| VTRY-3.50-9-R | 4,334 | 2,945 | 1,967 | 736 | Rubber Lip | DGBB | 2.53 |
| VTRY-3.50-R | 4,334 | 2,945 | 1,967 | 736 | Rubber Lip | DGBB | 2.7 |
| VTRY-3.75A-R | 5,390 | 3,507 | 2,407 | 877 | Rubber Lip | DGBB | 3.05 |
| VTRY-3.75-R | 10,880 | 7,630 | 4,010 | 4,570 | Rubber Dual Lip | TRB | 3.08 |
| VTRY-4.50A-R | 6,118 | 4,586 | 2,884 | 1,147 | Rubber Lip | DGBB | 4.88 |
| VTRY-4.50-R | 14,300 | 20,000 | 5,790 | 12,000 | Rubber Dual Lip | TRB | 5.12 |
| VTRY-5.00A-R | 6,483 | 5,216 | 3,145 | 1,304 | Rubber Lip | DGBB | 7.48 |
| VTRY-5.00-R | 17,600 | 27,200 | 5,750 | 13,100 | Rubber Dual Lip | TRB | 7.61 |
| VTRY-5.50A-R | 6,483 | 5,216 | 3,145 | 1,304 | Rubber Lip | DGBB | 11.06 |
| VTRY-5.50-R | 17,600 | 27,200 | 5,750 | 13,100 | Rubber Dual Lip | TRB | 11.56 |
| VTRY-6.50-R | 35,870 | 58,400 | 13,310 | 32,100 | Rubber Dual Lip | TRB | 20.4 |
| VTRY-7.50-R | 35,830 | 56,200 | 14,150 | 32,900 | Rubber Dual Lip | TRB | 31.14 |
| VTRY-8.50-R | 42,400 | 79,800 | 17,400 | 48,400 | Rubber Lip | TRB | 45.37 |
| VTRY-9.50-R | 83,700 | 159,800 | 39,000 | 110,000 | Rubber Lip | TRB | 64.81 |
| VTRY-10.50-R | 134,600 | 250,000 | 53,600 | 147,000 | Rubber Lip | TRB | 88.12 |
| VTRY-11.50-R | 137,300 | 276,000 | 62,000 | 194,000 | Rubber Lip | TRB | 115.79 |
| VTRY-12.50-R | 137,300 | 276,000 | 62,000 | 194,000 | Rubber Lip | TRB | 143.27 |
| VTRY-14.50-R | 137,300 | 276,000 | 62,000 | 194,000 | Rubber Lip | TRB | 204.21 |
| VTRY-16.50-R | 137,300 | 276,000 | 62,000 | 194,000 | Rubber Lip | TRB | 263.59 |
| VTRY-18.50-R | 137,300 | 276,000 | 62,000 | 194,000 | Rubber Lip | TRB | 353.62 |
| VTRY-20.50-R | 137,300 | 276,000 | 62,000 | 194,000 | Rubber Lip | TRB | 442.08 |