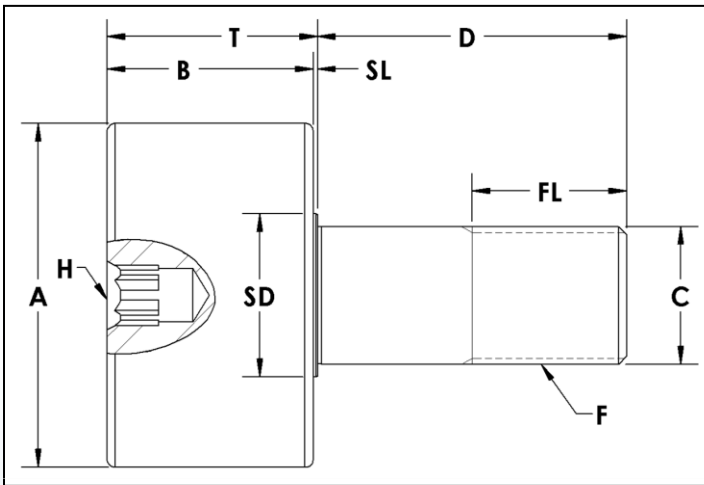


PXR Series Roller Assembly

Plain/Cylindrical – Stud Type Concentric
Ball & Tapered Roller Bearings



Stud Type XR Roller Part Number	A Roller Dia. +0.000 -0.001	B Roller Width	C Stud Dia. +0.000 -0.001	D Stud Length	F Thread Size	FL Thread Length	H Hex Size	SD Shoulder Dia.	SL Shoulder Length	T Roller Width + Shoulder Length
PXR-1.50	1.500	0.88	0.625	1.50	5/8 - 18	0.75	5/16	0.8	0.03	0.91
PXR-1.75	1.750	1.00	0.750	1.75	3/4 - 16	0.88	5/16	0.9	0.03	1.03
PXR-2.00	2.000	1.25	0.875	2.00	7/8 - 14	1.00	5/16	1.0	0.03	1.28
PXR-2.25	2.250	1.25	0.875	2.00	7/8 - 14	1.00	5/16	1.0	0.03	1.28
PXR-2.50	2.500	1.50	1.000	2.25	1 - 14	1.13	3/8	1.2	0.03	1.53
PXR-2.50E	2.500	1.50	1.000	2.25	1 - 14	1.13	3/8	1.2	0.03	1.53
PXR-2.75	2.750	1.50	1.000	2.25	1 - 14	1.13	3/8	1.2	0.03	1.53
PXR-2.75E	2.750	1.50	1.000	2.25	1 - 14	1.13	3/8	1.2	0.03	1.53
PXR-3.00A	3.000	1.75	1.250	2.50	1 1/4 - 12	1.25	1/2	1.6	0.03	1.78
PXR-3.00	3.000	1.75	1.250	2.50	1 1/4 - 12	1.25	1/2	1.8	0.03	1.78
PXR-3.25A	3.250	1.75	1.250	2.50	1 1/4 - 12	1.25	1/2	1.6	0.03	1.78
PXR-3.25	3.250	1.75	1.250	2.50	1 1/4 - 12	1.25	1/2	1.8	0.03	1.78
PXR-3.50A	3.500	2.00	1.375	2.75	1 3/8 - 12	1.38	1/2	1.8	0.03	2.03
PXR-3.50	3.500	2.00	1.375	2.75	1 3/8 - 12	1.38	1/2	2.0	0.03	2.03
PXR-4.00A	4.000	2.25	1.500	3.50	1 1/2 - 12	1.50	1/2	1.8	0.03	2.28
PXR-4.00	4.000	2.25	1.500	3.50	1 1/2 - 12	1.50	1/2	2.0	0.03	2.28
PXR-5.00	5.000	2.75	2.000	5.06	2 - 12	2.56	5/8	2.9	0.06	2.81
PXR-6.00	6.000	3.25	2.500	6.00	2 1/2 - 12	3.00	5/8	3.3	0.06	3.31
PXR-7.00	7.000	3.75	3.000	7.69	3 - 12	4.13	5/8	4.1	0.06	3.81
PXR-8.00	8.000	4.25	3.250	8.50	3 1/4 - 4	4.25	5/8	4.7	0.06	4.31
PXR-9.00	9.000	4.75	3.750	9.50	3 1/2 - 4	4.75	5/8	5.3	0.06	4.81
PXR-10.00	10.000	5.25	4.250	10.00	3 1/2 - 4	4.75	5/8	6.5	0.13	5.50

PXR Series Roller Assembly

Plain/Cylindrical – Stud Type Concentric
Ball & Tapered Roller Bearings



ADDITIONAL NOTES

*For lubricated threads, use half the maximum clamping torque value shown.

DGGB: Deep Groove Ball Bearings – Alloy Steel
TRB: Tapered Roller Bearings – Alloy Steel

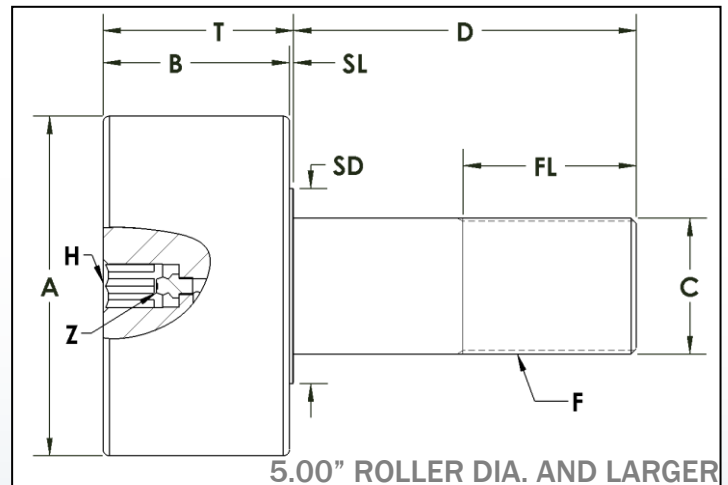
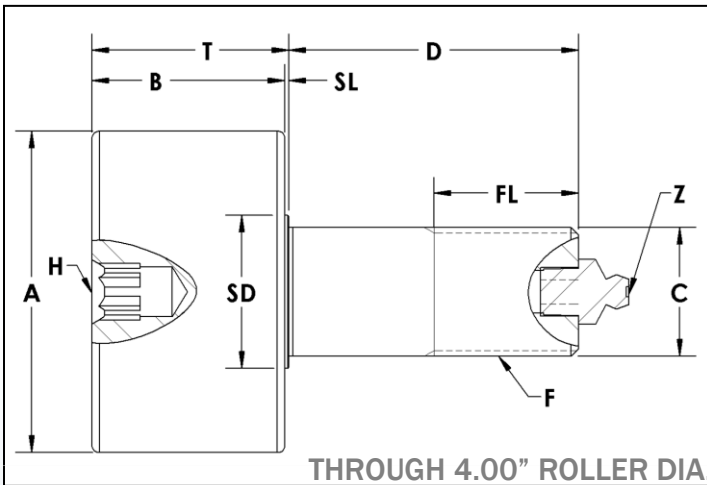
Jam Nut & Lock Washer sets are available at an additional cost.

Specifications subject to change without notice.

Stud Type XR Roller Part Number	Basic Radial Dynamic Load Rating (lbs) C	Basic Radial Static Load Rating (lbs) Co	Thrust Dynamic Load Rating (lbs)	Thrust Static Load Rating (lbs)	Stud Capacity (lbs)	Retaining Ring Capacity (lbs)	Max. Clamping Torque (in-lbs)*	Seal Type	Bearing Type	Approx. Roller Weight (lbs)
PXR-1.50	1,683	1,147	764	287	3,840	910	350	Rubber Lip	DGGB	0.45
PXR-1.75	1,683	1,147	764	287	4,430	910	650	Rubber Lip	DGGB	0.75
PXR-2.00	3,624	2,248	1,591	562	5,690	1,340	650	Rubber Lip	DGGB	1.23
PXR-2.25	3,624	2,248	1,591	562	5,690	1,340	650	Rubber Lip	DGGB	1.50
PXR-2.50	5,390	3,507	2,407	877	9,270	1,340	1,500	Rubber Lip	DGGB	2.17
PXR-2.50E	10,880	7,630	4,010	4,570	9,270	-	1,200	Rubber Dual Lip	TRB	2.24
PXR-2.75	5,390	3,507	2,407	877	9,270	1,340	1,500	Rubber Lip	DGGB	2.60
PXR-2.75E	10,880	7,630	4,010	4,570	9,270	-	1,200	Rubber Dual Lip	TRB	2.67
PXR-3.00A	6,118	4,586	2,884	1,147	15,710	1,950	2,250	Rubber Lip	DGGB	3.56
PXR-3.00	14,300	20,000	5,790	12,000	15,710	-	2,250	Rubber Dual Lip	TRB	3.81
PXR-3.25A	6,118	4,586	2,884	1,147	15,710	1,950	2,250	Rubber Lip	DGGB	4.17
PXR-3.25	14,300	20,000	5,790	12,000	15,710	-	2,250	Rubber Dual Lip	TRB	4.41
PXR-3.50A	6,483	5,216	3,145	1,304	18,140	3,000	4,200	Rubber Lip	DGGB	5.47
PXR-3.50	17,600	27,200	5,750	13,100	18,140	-	5,000	Rubber Dual Lip	TRB	5.93
PXR-4.00A	6,483	5,216	3,145	1,304	21,200	3,000	5,000	Rubber Lip	DGGB	8.25
PXR-4.00	17,600	27,200	5,750	13,100	21,200	-	5,000	Rubber Dual Lip	TRB	8.90
PXR-5.00	35,870	58,400	13,310	32,100	40,770	-	5,000	Rubber Dual Lip	TRB	18.12
PXR-6.00	35,830	56,200	14,150	32,900	67,600	-	5,000	Rubber Dual Lip	TRB	30.87
PXR-7.00	42,400	79,800	17,400	48,400	101,480	-	5,000	Rubber Lip	TRB	52.15
PXR-8.00	83,700	159,800	39,000	110,000	114,060	-	5,000	Rubber Lip	TRB	74.27
PXR-9.00	134,600	250,000	53,600	147,000	157,000	-	5,000	Rubber Lip	TRB	106.53
PXR-10.00	137,300	276,000	62,000	194,000	199,870	-	5,000	Rubber Lip	TRB	140.43

PXR-R Series Roller Assembly

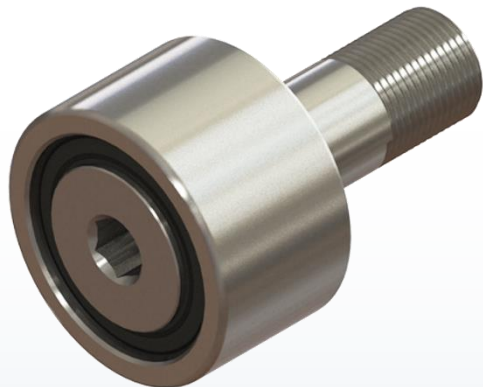
Plain/Cylindrical – Stud Type Concentric
Ball & Tapered Roller Bearings - Regreasable



Stud Type XR Roller Part Number	A	B	C	D	F	FL	H	SD	SL	T	Z
	Roller Dia. +0.000 -0.001	Roller Width	Stud Dia. +0.000 -0.001	Stud Length	Thread Size	Thread Length	Hex Size	Shoulder Dia.	Shoulder Length	Roller Width + Shoulder Length	Lube Size
PXR-1.75-R	1.750	1.00	0.750	1.75	3/4 - 16	0.88	5/16	0.9	0.03	1.03	1/8-27 NPT
PXR-2.00-R	2.000	1.25	0.875	2.00	7/8 - 14	1.00	5/16	1.0	0.03	1.28	1/8-27 NPT
PXR-2.25-R	2.250	1.25	0.875	2.00	7/8 - 14	1.00	5/16	1.0	0.03	1.28	1/8-27 NPT
PXR-2.50-R	2.500	1.50	1.000	2.25	1 - 14	1.13	3/8	1.2	0.03	1.53	1/8-27 NPT
PXR-2.50E-R	2.500	1.50	1.000	2.25	1 - 14	1.13	3/8	1.2	0.03	1.53	1/8-27 NPT
PXR-2.75-R	2.750	1.50	1.000	2.25	1 - 14	1.13	3/8	1.2	0.03	1.53	1/8-27 NPT
PXR-2.75E-R	2.750	1.50	1.000	2.25	1 - 14	1.13	3/8	1.2	0.03	1.53	1/8-27 NPT
PXR-3.00A-R	3.000	1.75	1.250	2.50	1 1/4 - 12	1.25	1/2	1.6	0.03	1.78	1/8-27 NPT
PXR-3.00-R	3.000	1.75	1.250	2.50	1 1/4 - 12	1.25	1/2	1.8	0.03	1.78	1/8-27 NPT
PXR-3.25A-R	3.250	1.75	1.250	2.50	1 1/4 - 12	1.25	1/2	1.6	0.03	1.78	1/8-27 NPT
PXR-3.25-R	3.250	1.75	1.250	2.50	1 1/4 - 12	1.25	1/2	1.8	0.03	1.78	1/8-27 NPT
PXR-3.50A-R	3.500	2.00	1.375	2.75	1 3/8 - 12	1.38	1/2	1.8	0.03	2.03	1/8-27 NPT
PXR-3.50-R	3.500	2.00	1.375	2.75	1 3/8 - 12	1.38	1/2	2.0	0.03	2.03	1/8-27 NPT
PXR-4.00A-R	4.000	2.25	1.500	3.50	1 1/2 - 12	1.50	1/2	1.8	0.03	2.28	1/8-27 NPT
PXR-4.00-R	4.000	2.25	1.500	3.50	1 1/2 - 12	1.50	1/2	2.0	0.03	2.28	1/8-27 NPT
PXR-5.00-R	5.000	2.75	2.000	5.06	2 - 12	2.56	5/8	2.9	0.06	2.81	1/4-28 UNF
PXR-6.00-R	6.000	3.25	2.500	6.00	2 1/2 - 12	3.00	5/8	3.3	0.06	3.31	1/4-28 UNF
PXR-7.00-R	7.000	3.75	3.000	7.69	3 - 12	4.13	5/8	4.1	0.06	3.81	1/4-28 UNF
PXR-8.00-R	8.000	4.25	3.250	8.50	3 1/4 - 4	4.25	5/8	4.7	0.06	4.31	1/4-28 UNF
PXR-9.00-R	9.000	4.75	3.750	9.50	3 1/2 - 4	4.75	5/8	5.3	0.06	4.81	1/4-28 UNF
PXR-10.00-R	10.000	5.25	4.250	10.00	3 1/2 - 4	4.75	5/8	6.5	0.13	5.50	1/4-28 UNF

PXR-R Series Roller Assembly

Plain/Cylindrical – Stud Type Concentric
Ball & Tapered Roller Bearings - Regreasable



ADDITIONAL NOTES

*For lubricated threads, use half the maximum clamping torque value shown.

DGGB: Deep Groove Ball Bearings – Alloy Steel
TRB: Tapered Roller Bearings – Alloy Steel

Jam Nut & Lock Washer sets are available at an additional cost.

Specifications subject to change without notice.

Stud Type XR Roller Part Number	Basic Radial Dynamic Load Rating (lbs) C	Basic Radial Static Load Rating (lbs) Co	Thrust Dynamic Load Rating (lbs)	Thrust Static Load Rating (lbs)	Stud Capacity (lbs)	Retaining Ring Capacity (lbs)	Max. Clamping Torque (in-lbs)*	Seal Type	Bearing Type	Approx. Roller Weight (lbs)
PXR-1.75-R	1,683	1,147	764	287	4,430	910	650	Rubber Lip	DGGB	0.75
PXR-2.00-R	3,624	2,248	1,591	562	5,690	1,340	650	Rubber Lip	DGGB	1.23
PXR-2.25-R	3,624	2,248	1,591	562	5,690	1,340	650	Rubber Lip	DGGB	1.50
PXR-2.50-R	5,390	3,507	2,407	877	9,270	1,340	1,500	Rubber Lip	DGGB	2.17
PXR-2.50E-R	10,880	7,630	4,010	4,570	9,270	-	1,200	Rubber Dual Lip	TRB	2.24
PXR-2.75-R	5,390	3,507	2,407	877	9,270	1,340	1,500	Rubber Lip	DGGB	2.60
PXR-2.75E-R	10,880	7,630	4,010	4,570	9,270	-	1,200	Rubber Dual Lip	TRB	2.67
PXR-3.00A-R	6,118	4,586	2,884	1,147	15,710	1,950	2,250	Rubber Lip	DGGB	3.56
PXR-3.00-R	14,300	20,000	5,790	12,000	15,710	-	2,250	Rubber Dual Lip	TRB	3.75
PXR-3.25A-R	6,118	4,586	2,884	1,147	15,710	1,950	2,250	Rubber Lip	DGGB	4.14
PXR-3.25-R	14,300	20,000	5,790	12,000	15,710	-	2,250	Rubber Dual Lip	TRB	4.41
PXR-3.50A-R	6,483	5,216	3,145	1,304	18,140	3,000	4,200	Rubber Lip	DGGB	5.47
PXR-3.50-R	17,600	27,200	5,750	13,100	18,140	-	5,000	Rubber Dual Lip	TRB	5.93
PXR-4.00A-R	6,483	5,216	3,145	1,304	21,200	3,000	5,000	Rubber Lip	DGGB	8.25
PXR-4.00-R	17,600	27,200	5,750	13,100	21,200	-	5,000	Rubber Dual Lip	TRB	8.90
PXR-5.00-R	35,870	58,400	13,310	32,100	40,770	-	5,000	Rubber Dual Lip	TRB	18.12
PXR-6.00-R	35,830	56,200	14,150	32,900	67,600	-	5,000	Rubber Dual Lip	TRB	30.87
PXR-7.00-R	42,400	79,800	17,400	48,400	101,480	-	5,000	Rubber Lip	TRB	52.15
PXR-8.00-R	83,700	159,800	39,000	110,000	114,060	-	5,000	Rubber Lip	TRB	74.27
PXR-9.00-R	134,600	250,000	53,600	147,000	157,000	-	5,000	Rubber Lip	TRB	106.53
PXR-10.00-R	137,300	276,000	62,000	194,000	199,870	-	5,000	Rubber Lip	TRB	140.43