

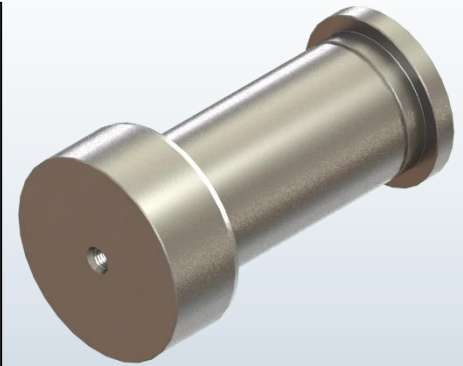
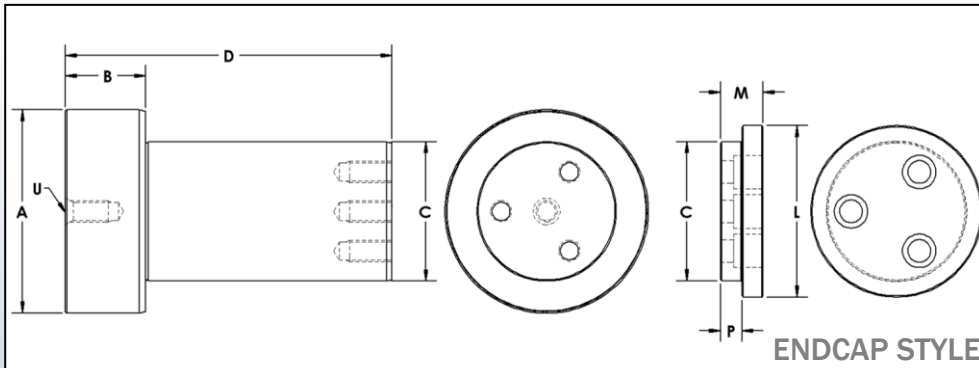
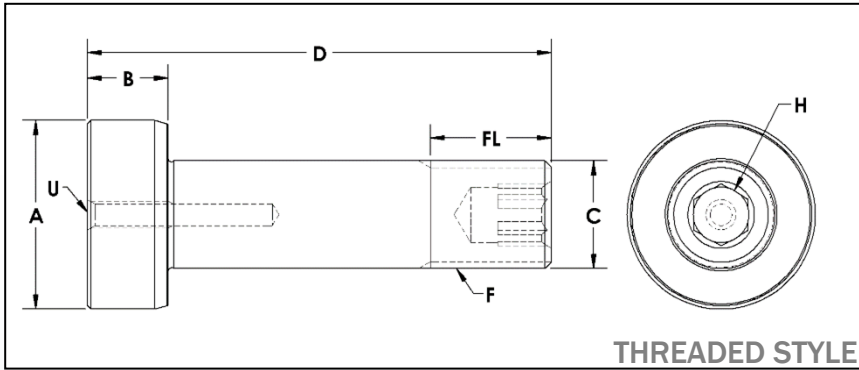
YSH Series Heavy Duty Yoke Shaft

Threaded & Endcap Style – Concentric Shaft



989.358.6148

www.pcimfg.com



Yoke Shaft Part Number	A	B	C	D	F	FL	H	L	M	P	U	Style	Approx. Weight (lbs)
	Head Dia. +.0005 -0.0000	Head Width	Shaft Dia. +.0000 -0.0005	Shaft Length	Thread Size	Thread Length	Hex Size	Main Dia.	Overall Width	Minor Width	Internal Thread		
YSH-.437	0.7500	0.38	0.4370	2.06	7/16 - 20	0.63	5/32	-	-	-	1/4 - 28 UNF	Threaded	0.13
YSH-.500	0.8750	0.44	0.5000	2.38	1/2 - 20	0.75	1/4	-	-	-	1/4 - 28 UNF	Threaded	0.20
YSH-.625	1.3750	0.50	0.6250	3.13	5/8 - 18	0.88	5/16	-	-	-	1/4 - 28 UNF	Threaded	0.48
YSH-.750	1.5620	0.63	0.7500	3.75	3/4 - 16	1.00	5/16	-	-	-	1/4 - 28 UNF	Threaded	0.81
YSH-1.000	1.7500	0.75	1.0000	4.31	1 - 14	1.13	1/2	-	-	-	1/4 - 28 UNF	Threaded	1.26
YSH-1.125	2.0000	0.88	1.1250	4.88	1 1/8 - 12	1.19	1/2	-	-	-	3/8 - 16 UNC	Threaded	1.86
YSH-1.250	2.2500	0.88	1.2500	5.25	1 1/4 - 12	1.31	1/2	-	-	-	3/8 - 16 UNC	Threaded	2.47
YSH-1.750	3.5000	1.25	1.7500	7.00	1 3/4 - 12	1.88	1/2	-	-	-	1/2 - 13 UNC	Threaded	7.33
YSH-2.250	3.5000	1.25	2.2500	7.75	2 1/4 - 12	2.13	5/8	-	-	-	1/2 - 13 UNC	Threaded	11.38
YSH-2.750	4.2500	1.38	2.7500	9.00	2 3/4 - 12	2.63	5/8	-	-	-	1/2 - 13 UNC	Threaded	23.46
YSH-3.250	4.7500	1.88	3.2550	7.63	-	-	-	4.00	1.00	0.50	1/2 - 13 UNC	Endcap	25.67
YSH-3.750	5.5000	2.13	3.7550	8.63	-	-	-	4.50	1.13	0.50	3/4 - 10 UNC	Endcap	38.00
YSH-4.250	6.5000	2.25	4.2550	9.38	-	-	-	5.00	1.13	0.50	3/4 - 10 UNC	Endcap	54.86

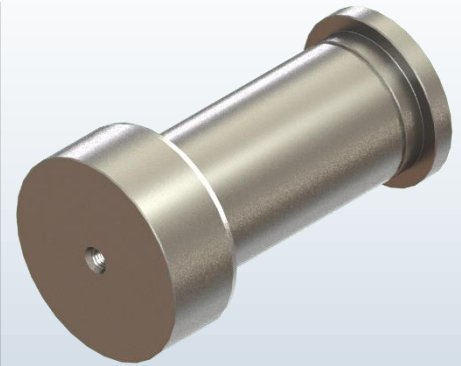
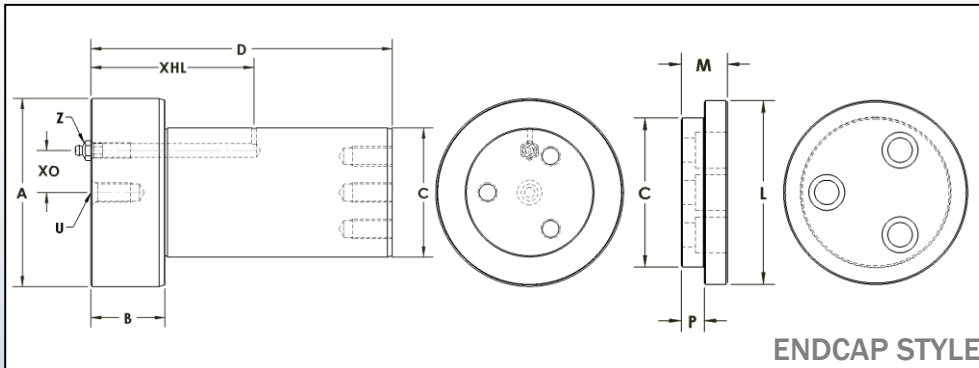
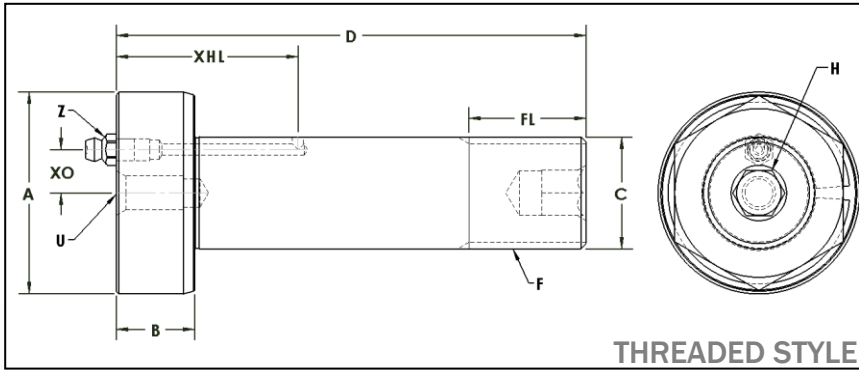
ADDITIONAL NOTES

Jam Nut & Lock Washer sets and lubrication fittings are included.

Specifications subject to change without notice.

YSH-R Series Heavy Duty Yoke Shaft

Threaded & Endcap Style – Concentric Shaft
Regreasable



Yoke Shaft Part Number	A	B	C	D	F	FL	H	L	M	P	U	XHL	XO	Z	Style	Approx. Weight (lbs)
	Head Dia. +.0005 -.0000	Head Width	Shaft Dia. +.0000 -.0005	Shaft Length	Thread Size	Thread Length	Hex Size	Main Dia.	Overall Width	Minor Width	Internal Thread	Crosshole Location	Grease Fitting Offset	Lube Size		
YSH-.437-R	0.7500	0.38	0.4370	2.06	7/16 - 20	0.63	5/32	-	-	-	1/4 - 28 UNF	0.84	-	1/4 - 28 UNF	Threaded	0.14
YSH-.500-R	0.8750	0.44	0.5000	2.38	1/2 - 20	0.75	1/4	-	-	-	1/4 - 28 UNF	0.97	-	1/4 - 28 UNF	Threaded	0.21
YSH-.625-R	1.3750	0.50	0.6250	3.13	5/8 - 18	0.88	5/16	-	-	-	1/4 - 28 UNF	1.10	-	1/4 - 28 UNF	Threaded	0.49
YSH-.750-R	1.5620	0.63	0.7500	3.75	3/4 - 16	1.00	5/16	-	-	-	1/4 - 28 UNF	1.40	-	1/4 - 28 UNF	Threaded	0.71
YSH-1.000-R	1.7500	0.75	1.0000	4.31	1 - 14	1.13	1/2	-	-	-	1/4 - 28 UNF	1.66	-	1/4 - 28 UNF	Threaded	1.27
YSH-1.125-R	2.0000	0.88	1.1250	4.88	1 1/8 - 12	1.19	1/2	-	-	-	3/8 - 16 UNC	1.91	0.42	1/4 - 28 UNF	Threaded	1.85
YSH-1.250-R	2.2500	0.88	1.2500	5.25	1 1/4 - 12	1.31	1/2	-	-	-	3/8 - 16 UNC	2.03	0.48	1/4 - 28 UNF	Threaded	2.47
YSH-1.750-R	3.5000	1.25	1.7500	7.00	1 3/4 - 12	1.88	1/2	-	-	-	1/2 - 13 UNC	2.69	0.69	1/8 - 27 NPT	Threaded	7.34
YSH-2.250-R	3.5000	1.25	2.2500	7.75	2 1/4 - 12	2.13	5/8	-	-	-	1/2 - 13 UNC	2.94	0.94	1/8 - 27 NPT	Threaded	11.36
YSH-2.750-R	4.2500	1.38	2.7500	9.00	2 3/4 - 12	2.63	5/8	-	-	-	1/2 - 13 UNC	3.31	1.06	1/8 - 27 NPT	Threaded	23.02
YSH-3.250-R	4.7500	1.88	3.2550	7.63	-	-	-	4.00	1.00	0.50	1/2 - 13 UNC	4.13	1.06	1/8 - 27 NPT	Endcap	25.58
YSH-3.750-R	5.5000	2.13	3.7550	8.63	-	-	-	4.50	1.13	0.50	3/4 - 10 UNC	4.63	1.25	1/8 - 27 NPT	Endcap	38.00
YSH-4.250-R	6.5000	2.25	4.2550	9.38	-	-	-	5.00	1.13	0.50	3/4 - 10 UNC	5.00	1.38	1/8 - 27 NPT	Endcap	54.86

ADDITIONAL NOTES

Jam Nut & Lock Washer sets and lubrication fittings are included.

Specifications subject to change without notice.

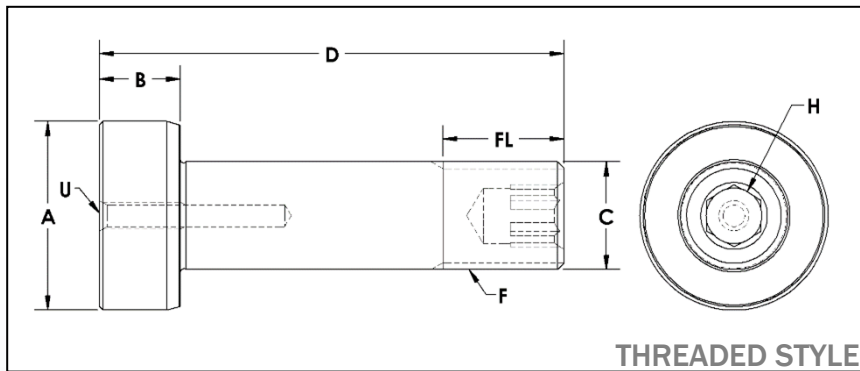
MYSH Series Heavy Duty Yoke Shaft

Metric - Threaded Style – Concentric Shaft



989.358.6148

www.pcimfg.com



Yoke Shaft Part Number	A Head Dia. +02 -04 (mm)	B Head Width (mm)	C Shaft Dia. +02 -04 (mm)	D Shaft Length (mm)	F Thread Size	FL Thread Length (mm)	H Hex Size (mm)	U Internal Thread	Approx. Weight (kg)
MYSH-10	18	10	10	55	M10 X 1	15	4	M6 X 1	0.32
MYSH-15	25	14	15	80	M14 X 2	22	8	M6 X 1	0.33
MYSH-19	40	16	19	95	M18 X 1.5	26	8	M6 X 1	0.45
MYSH-20	32	16	20	94	M20 X 1.5	25	8	M6 X 1	0.70
MYSH-25	45	19	25	110	M24 X 1.5	29	8	M6 X 1	0.75
MYSH-30	57	22	30	135	M30 X 3.5	31	12.2	M8 X 1.25	0.95
MYSH-45	83	32	45	185	M45 X 4.5	54	12.2	M12 X 1.75	1.50
MYSH-55	89	32	55	195	M52 X 5	62	12.2	M12 X 1.75	5.70
MYSH-70	108	35	70	220	M70 X 6	74	12.2	M12 X 1.75	10.00

ADDITIONAL NOTES

Jam Nut & Lock Washer sets and lubrication fittings are included.

Specifications subject to change without notice.