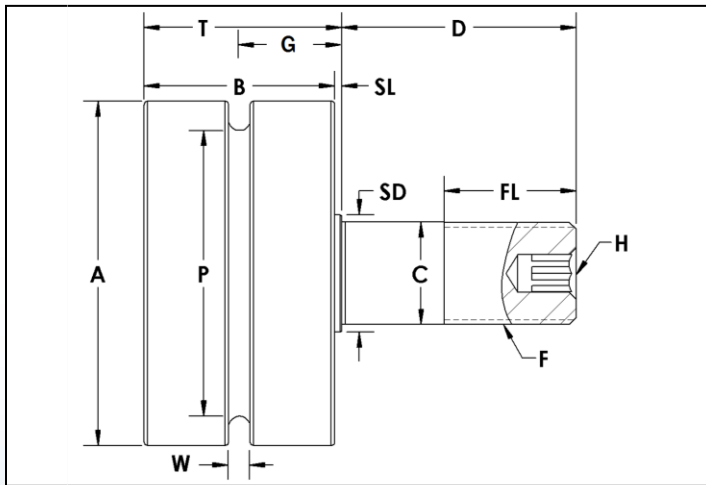


# WGR Series Wire Guide Roller

Wire Guide – Stud Type Concentric  
Ball Bearings



Stud Type Wire Guide Part Number	A	B	C	D	F	FL	G	H	P	SD	SL	T	W
	Roller Dia.	Roller Width	Stud Dia. +.000 -.001	Stud Length	Thread Size	Thread Length	Groove Center	Hex Size	Groove Dia.	Shoulder Dia.	Shoulder Length	Roller Width + Shoulder Length	Groove Width
WGR-2.937-A	2.94	1.63	0.875	2.00	7/8 - 14	1.13	0.88	5/16	2.313	1.0	0.06	1.69	0.263
WGR-2.937-B	2.94	1.63	0.875	2.00	7/8 - 14	1.13	0.88	5/16	2.313	1.0	0.06	1.69	0.242
WGR-2.937-C	2.94	1.63	0.875	2.00	7/8 - 14	1.13	0.88	5/16	2.375	1.0	0.06	1.69	0.224
WGR-2.937-D	2.94	1.63	0.875	2.00	7/8 - 14	1.13	0.88	5/16	2.375	1.0	0.06	1.69	0.207
WGR-2.937-E	2.94	1.63	0.875	2.00	7/8 - 14	1.13	0.88	5/16	2.438	1.0	0.06	1.69	0.184
WGR-2.937-F	2.94	1.63	0.875	2.00	7/8 - 14	1.13	0.88	5/16	2.500	1.0	0.06	1.69	0.169
WGR-2.937-G	2.94	1.63	0.875	2.00	7/8 - 14	1.13	0.88	5/16	2.500	1.0	0.06	1.69	0.152
WGR-2.937-H	2.94	1.63	0.875	2.00	7/8 - 14	1.13	0.88	5/16	2.563	1.0	0.06	1.69	0.138
WGR-2.937-I	2.94	1.63	0.875	2.00	7/8 - 14	1.13	0.88	5/16	2.625	1.0	0.06	1.69	0.124
WGR-2.937-J	2.94	1.63	0.875	2.00	7/8 - 14	1.13	0.88	5/16	2.625	1.0	0.06	1.69	0.113

Stud Type Wire Guide Part Number	Basic Radial Dynamic Load Rating (lbs) C	Basic Radial Static Load Rating (lbs) Co	Thrust Dynamic Load Rating (lbs)	Thrust Static Load Rating (lbs)	Stud Capacity (lbs)	Retaining Ring Capacity (lbs)	Max. Clamping Torque (in-lbs)*	Seal Type	Bearing Type	Approx. Roller Weight (lbs)
WGR-2.937-A	4,661	3,012	2,076	753	4,460	1,340	1,200	Rubber Lip	DGBB	2.90
WGR-2.937-B	4,661	3,012	2,076	753	4,460	1,340	1,200	Rubber Lip	DGBB	2.91
WGR-2.937-C	4,661	3,012	2,076	753	4,460	1,340	1,200	Rubber Lip	DGBB	2.94
WGR-2.937-D	4,661	3,012	2,076	753	4,460	1,340	1,200	Rubber Lip	DGBB	2.95
WGR-2.937-E	4,661	3,012	2,076	753	4,460	1,340	1,200	Rubber Lip	DGBB	2.97
WGR-2.937-F	4,661	3,012	2,076	753	4,460	1,340	1,200	Rubber Lip	DGBB	2.99
WGR-2.937-G	4,661	3,012	2,076	753	4,460	1,340	1,200	Rubber Lip	DGBB	3.00
WGR-2.937-H	4,661	3,012	2,076	753	4,460	1,340	1,200	Rubber Lip	DGBB	3.02
WGR-2.937-I	4,661	3,012	2,076	753	4,460	1,340	1,200	Rubber Lip	DGBB	3.03
WGR-2.937-J	4,661	3,012	2,076	753	4,460	1,340	1,200	Rubber Lip	DGBB	3.03

## ADDITIONAL NOTES

\*For lubricated threads, use half the maximum clamping torque value shown.

DGBB: Deep Groove Ball Bearings – Alloy Steel

Jam Nut & Lock Washer sets are available at an additional cost.

Specifications subject to change without notice.