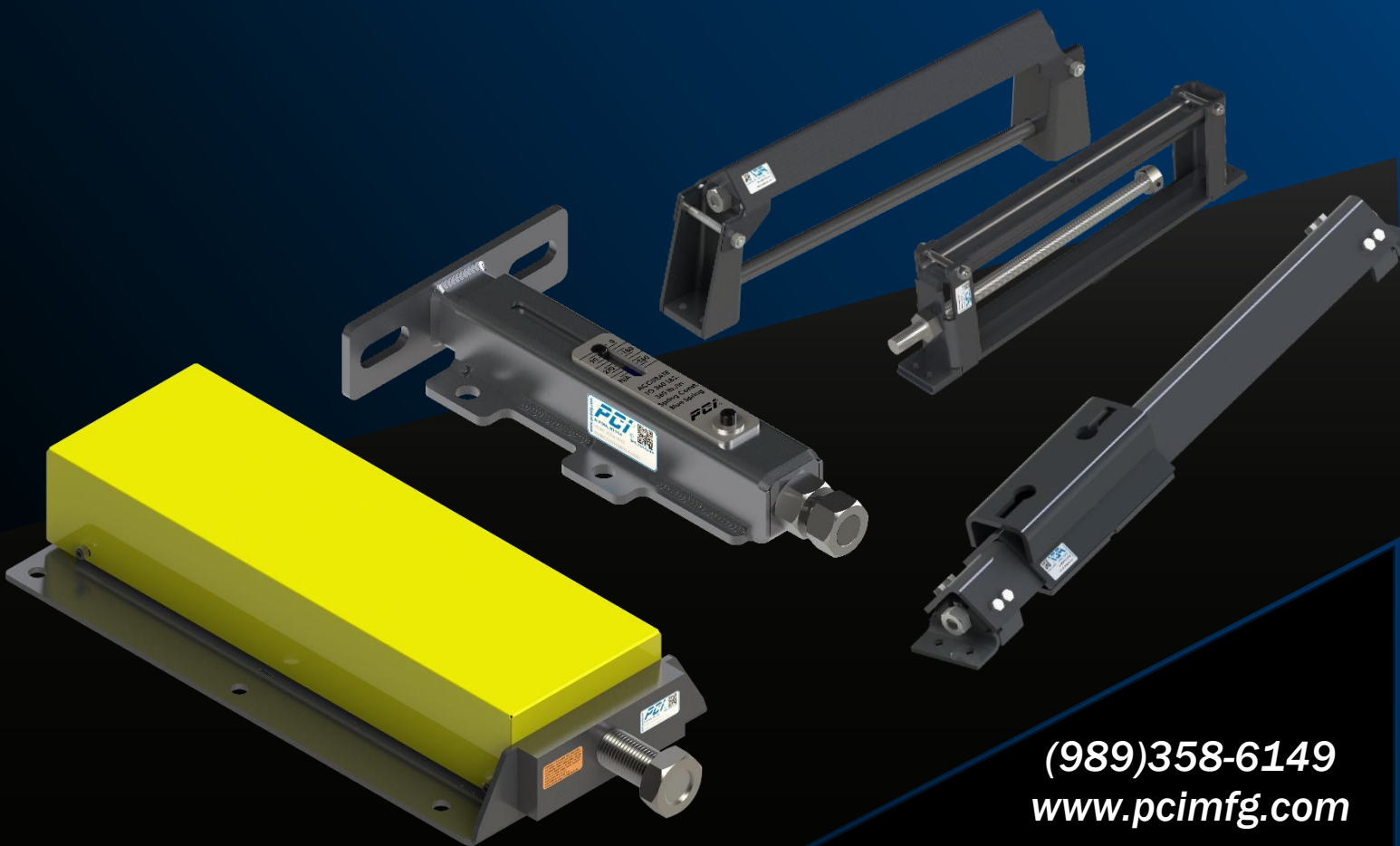




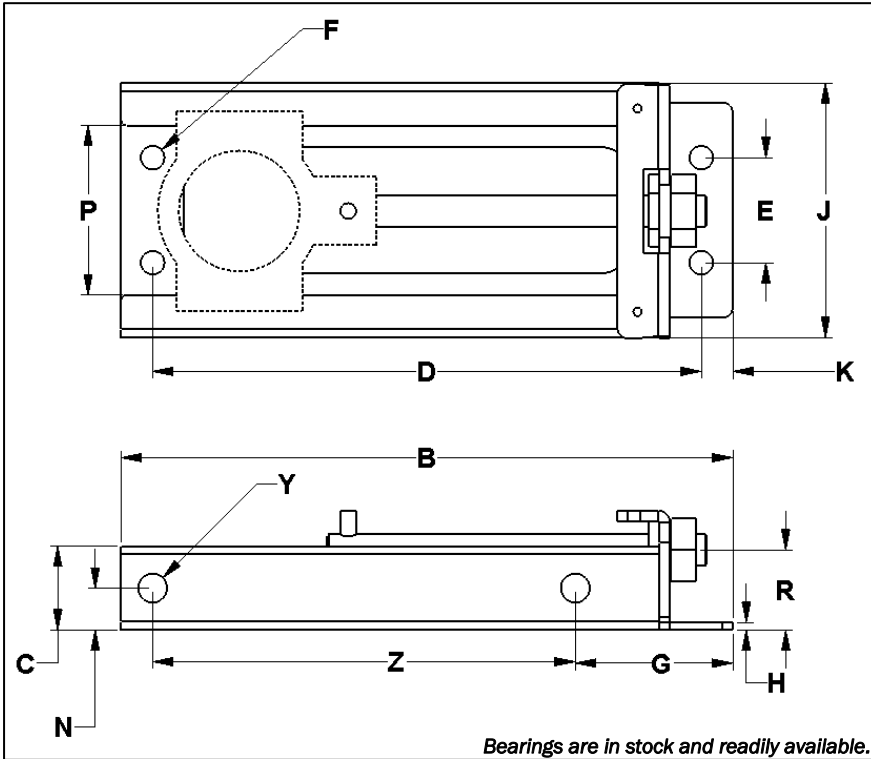
TAKE-UP FRAMES



(989)358-6149
www.pcimfg.com

CONVEYING COMPONENTS

Take-Up Frames Narrow Slot



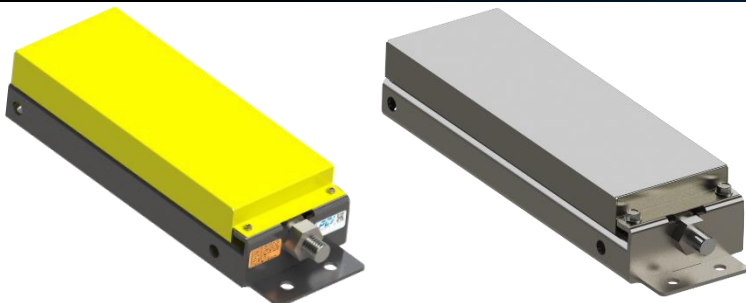
Bearings are in stock and readily available.



Available in 304 Stainless Steel construction, add "-SS" to the part number. For Example: 1400-SS.

PCI Part#	Size	Travel	B	C	D	E	F		G	H	J	K	N	P	R	S Rod Dia.	Y	Z	Approx. Weight (lbs.)	Optional Cover
							No.	Bolt Dia.												
1400	100	6	13 5/8	1 1/2	12 1/8	1 5/8	4	9/16	3 9/16	1/8	3 13/16	3/4	3/4	2 11/16	1 3/8	3/4	9/16	9 5/16	5.5	1400C
1401	108	6	13 5/8	1 1/2	12 1/8	2 1/4	4	9/16	3 9/16	1/8	4 11/16	3/4	3/4	3 9/16	1 13/32	3/4	9/16	9 5/16	5.8	1401C
1402		12	19 5/8		18 1/8													15 5/16	8	1402C
1403	200	6	14 9/16	2	13 1/16	2 1/2	4	9/16	3 3/4	3/16	6 1/16	3/4	1	4 1/16	1 29/32	3/4	11/16	10 1/16	9.2	1403C
1404		9	18 5/8		17 1/8													14 1/8	11.3	1404C
1405		12	20 9/16		19 1/16													16 1/16	12.5	1405C
1406		18	27 5/8		26 1/8													23 1/8	16.3	1406C
1407	225	9	19 1/8	2	17 3/8	2 3/4	4	11/16	4 1/4	3/16	6 1/2	1	1	4 1/2	1 29/32	1	11/16	14 1/8	13.1	1407C
1408		18	28 1/8		26 3/8													23 1/8	18.6	1408C
1409		9	19 1/8		17 3/8													3	4	11/16
1410	18	28 1/8	26 3/8	23 1/8	19.1	1410C														

Optional Take-Up Frame Covers



Covers

PCI Take-Up Frame covers are designed to protect internal components and are powder coated safety yellow to identify hidden moving components. To specify, add a "C" onto the part number of the corresponding frame.

For Example: 1400/1400C.

Covers are available in 304 Stainless Steel Construction. To specify Stainless Steel, add a "-SS" to the part number. For example: 1400C-SS.



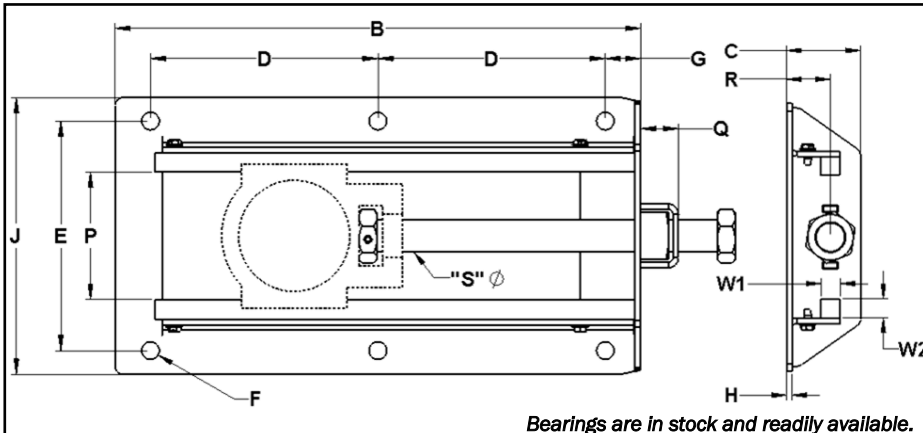
(989)358-6149

www.pcimfg.com

CONVEYING COMPONENTS

Take-Up Frames

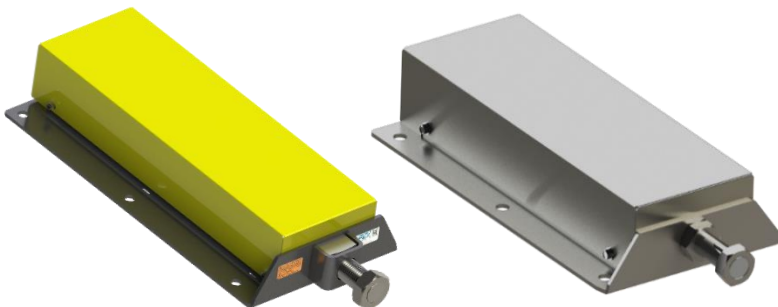
Wide Slot – Standard Duty



Available in 304 Stainless Steel construction, add “-SS” to the part number. For Example:1411-SS.

PCI Part#	Size	Travel	B	C	D	E	F		G	H	J	P	Q	R	S Rod Dia.	W ₁	W ₂	Approx. Weight (lbs)	Optional Cover
							No.	Bolt Dia.											
1411	100	1 1/2	7 1/2	1 3/4	5 3/8	5 9/16	4	1/2	1	3/16	6 9/16	3 1/16	13/16	1 1/16	5/8	1/2	1/2	3.5	1411C
1412		3	9		6 7/8													4.2	1412C
1413		6	12		4 15/16													5.5	1413C
1414		9	15		6 7/16													6.9	1414C
1415		12	18		7 15/16													8.3	1415C
1416	108	3	9 1/8	2	6 7/16	6 1/16	4	1/2	1	3/16	7 1/16	3 9/16	1	1 1/4	3/4	1/2	1/2	4.7	1416C
1417		6	12 1/8		9 7/16													6.3	1417C
1418		9	15 1/8		6 7/32													7.8	1418C
1419		12	18 1/8		7 23/32													9.4	1419C
1420		18	24 1/8		10 23/32													12.5	1420C
1421	200	3	10 3/4	2 7/16	8 1/2	7 5/16	4	9/16	1 1/8	3/16	8 13/16	4 1/16	1 3/16	1 7/16	1	5/8	5/8	7.8	1421C
1422		6	13 3/4		11 1/2													10.1	1422C
1423		9	16 3/4		7 1/4													12.3	1423C
1424		12	19 3/4		8 3/4													15	1424C
1425		18	25 3/4		11 3/4													19	1425C
1426	208	6	14 3/4	2 5/8	12 1/2	8 5/8	4	5/8	1 1/8	3/16	10 7/16	5 3/16	1 1/2	1 1/2	1 1/4	1	1/2	12	1426C
1427		9	17 3/4		15 1/2													15	1427C
1428		12	20 3/4		9 1/4													17	1428C
1429		15	23 3/4		10 3/4													20	1429C
1430		18	26 3/4		12 1/4													23	1430C
1431	24	32 3/4	15 1/4	28	1431C														
1432	300	9	20 7/8	3 3/8	17 1/2	10 1/4	4	11/16	2 1/2	1/4	12	6	1 3/4	2	1 1/2	1	1/2	26	1432C
1433		12	23 7/8		10 1/4													30	1433C
1434		18	29 7/8		13 1/4													37	1434C
1435		24	35 7/8		16 1/4													45	1435C
1436		30	41 7/8		19 1/4													53	1436C
1437	308	12	23 7/8	3 3/8	10 1/4	10 13/16	6	11/16	2 1/2	1/4	12 9/16	6 9/16	1 3/4	2	1 1/2	1	1/2	30	1437C
1438		18	29 7/8		13 1/4													38	1438C
1439		24	35 7/8		16 1/4													45	1439C
1440		30	41 7/8		19 1/4													53	1440C

Optional Take-Up Frame Covers



Covers

PCI Take-Up Frame covers are designed to protect internal components and are powder coated safety yellow to identify hidden moving components. To specify, add a “C” onto the part number of the corresponding frame.

For Example: 1411/1411C.

Covers are available in 304 Stainless Steel Construction. To specify Stainless Steel, add a “-SS” to the part number. For example: 1411C-SS.



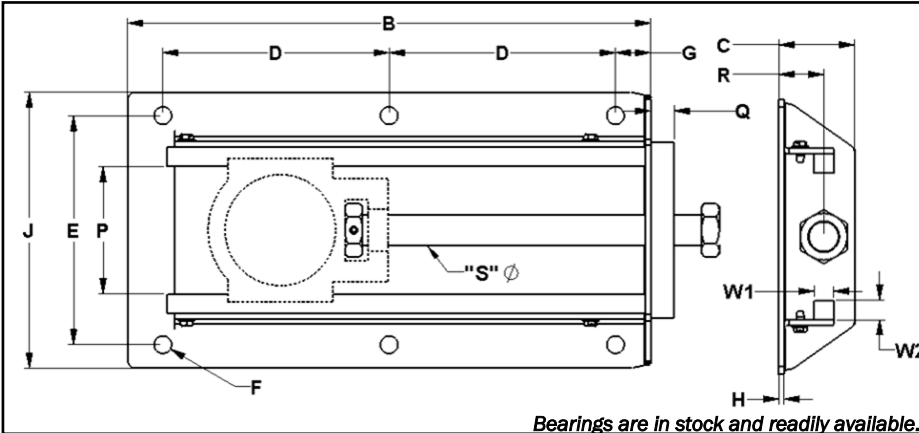
(989)358-6149

www.pcimfg.com

CONVEYING COMPONENTS

Take-Up Frames

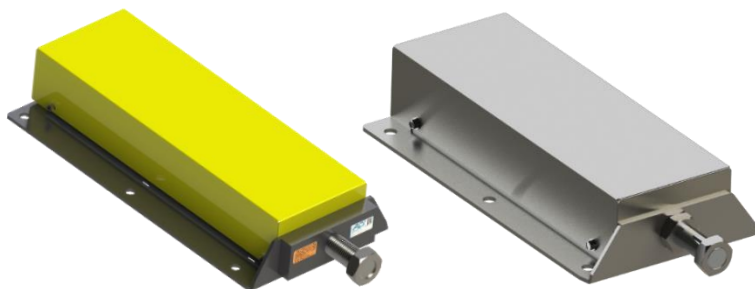
Wide Slot - Heavy Duty



Available in 304 Stainless Steel construction, add "SS" to the part number. For Example: 1411HD-SS.

PCI Part#	Size	Travel	B	C	D	E	F		G	H	J	P	Q	R	S Rod Dia.	W ₁	W ₂	Approx. Weight (lbs)	Optional Cover
							No.	Bolt Dia.											
1411HD	100	1 1/2	7 1/2	1 3/4	5 3/8	5 9/16	4	1/2	1	3/16	6 9/16	3 1/16	1/2	1 1/16	5/8	1/2	1/2	4.4	1411C
1412HD		3	9		6 7/8													5	1412C
1413HD		6	12		4 15/16													6.4	1413C
1414HD		9	15		6 7/16													7.7	1414C
1415HD		12	18		7 15/16													9.1	1415C
1416HD	108	3	9 1/8	2	6 7/16	6 1/16	4	1/2	1	3/16	7 1/16	3 9/16	1/2	1 1/4	3/4	1/2	1/2	5.8	1416C
1417HD		6	12 1/8		9 7/16													7.3	1417C
1418HD		9	15 1/8		6 7/32													8.8	1418C
1419HD		12	18 1/8		7 23/32													10.4	1419C
1420HD		18	24 1/8		10 23/32													13.5	1420C
1421HD	200	3	10 3/4	2 7/16	8 1/2	7 5/16	4	9/16	1 1/8	3/16	8 13/16	4 1/16	3/4	1 7/16	1	5/8	5/8	10.7	1421C
1422HD		6	13 3/4		11 1/2													13	1422C
1423HD		9	16 3/4		7 1/4													15	1423C
1424HD		12	19 3/4		8 3/4													18	1424C
1425HD		18	25 3/4		11 3/4													22	1425C
1426HD	208	6	14 3/4	2 5/8	12 1/2	8 5/8	4	5/8	1 1/8	3/16	10 7/16	5 3/16	1	1 1/2	1 1/4	1	1/2	16	1426C
1427HD		9	17 3/4		15 1/2													19	1427C
1428HD		12	20 3/4		9 1/4													21	1428C
1429HD		15	23 3/4		10 3/4													24	1429C
1430HD		18	26 3/4		12 1/4													26	1430C
1431HD	24	32 3/4	15 1/4	32	1431C														
1432HD	300	9	20 7/8	3 3/8	17 1/2	10 1/4	4	11/16	2 1/2	1/4	12	6	1	2	1 1/2	1	1/2	32	1432C
1433HD		12	23 7/8		10 1/4													35	1433C
1434HD		18	29 7/8		13 1/4													43	1434C
1435HD		24	35 7/8		16 1/4													51	1435C
1436HD		30	41 7/8		19 1/4													59	1436C
1437HD	308	12	23 7/8	3 3/8	10 1/4	10 13/16	6	11/16	2 1/2	1/4	12 9/16	6 9/16	1	2	1 1/2	1	1/2	36	1437C
1438HD		18	29 7/8		13 1/4													43	1438C
1439HD		24	35 7/8		16 1/4													51	1439C
1440HD		30	41 7/8		19 1/4													59	1440C

Optional Take-Up Frame Covers



Covers

PCI Take-Up Frame covers are designed to protect internal components and are powder coated safety yellow to identify hidden moving components. To specify, add a "C" onto the part number of the corresponding frame.

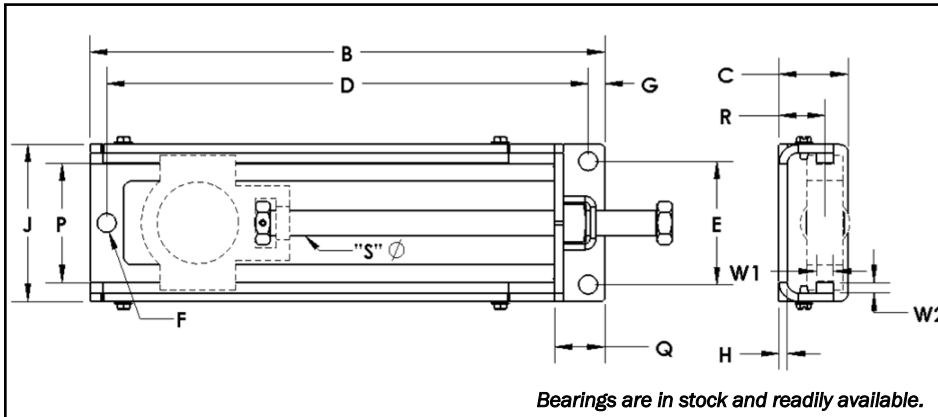
For Example: 1411HD/1411HDC.

Covers are available in 304 Stainless Steel Construction. To specify Stainless Steel, add a "SS" to the part number. For example: 1411HDC-SS.

CONVEYING COMPONENTS

Take-Up Frames

Wide Slot – Style B

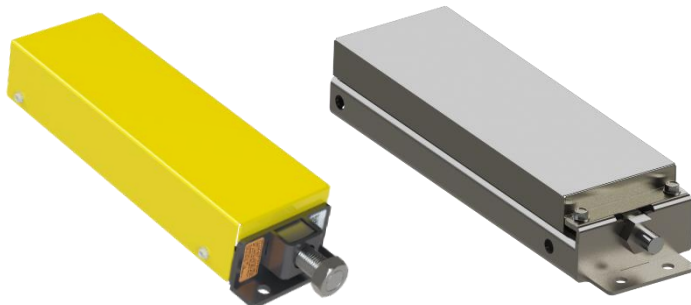


Available in 304 Stainless Steel construction, add "-SS" to the part number. For Example: 1SF10P-SS.

PCI Part#	Size	Travel	B	C	D	E	F		G	H	J	P	R	S Rod Dia.	W ₁	W ₂	Approx. Weight (lbs)	Optional Cover
							No.	Bolt Dia.										
1SF10P	100	1 1/2	7	2	6	3 3/16	3	9/16	1/2	3/16	4 1/16	3 3/32	1 3/8	5/8	1/2	5/16	3	1SF10PC
3SF16P		3	8 1/2		7 1/2												3.6	3SF16PC
6SF16P		6	11 1/2		10 1/2												4.8	6SF16PC
9SF16P		9	14 1/2		13 1/2												6.1	9SF16PC
3SF23P	108	3	9 3/8	2 1/16	8 3/8	3 11/16	3	9/16	1/2	1/4	4 11/16	3 9/16	1 3/8	3/4	1/2	5/16	5.3	3SF23PC
6SF23P		6	12 3/8		11 3/8												6.9	6SF23PC
9SF23P		9	15 3/8		14 3/8												8.5	9SF23PC
12SF23P		12	18 3/8		17 3/8												10.1	12SF23PC
3SF31P	200	3	11	2 1/2	9 7/8	3 1/16	4	9/16	1/2	1/4	5 5/16	4 1/16	1 5/8	1	5/8	3/8	8	3SF31PC
6SF31P		6	14		12 7/8												9.9	6SF31PC
9SF31P		9	17		15 7/8												12	9SF31PC
12SF31P		12	20		18 7/8												14.1	12SF31PC
18SF31P	18	26	24 7/8	18.4	18SF31PC													
9SF39P *	208	9	18 1/4	2 3/4	16 7/8	4 1/8	4	11/16	5/8	1/4	6 15/16	5 3/16	1 7/8	1 1/4	1	5/8	20.6	9SF39PC
12SF39P *		12	21 1/4		19 7/8												23.8	12SF39PC
18SF39P *		18	27 1/4		25 7/8												30.7	18SF39PC

* Size 208 Style B Frames have a 5/8" thick threaded end plate in place of the configuration shown.

Optional Take-Up Frame Covers



Covers

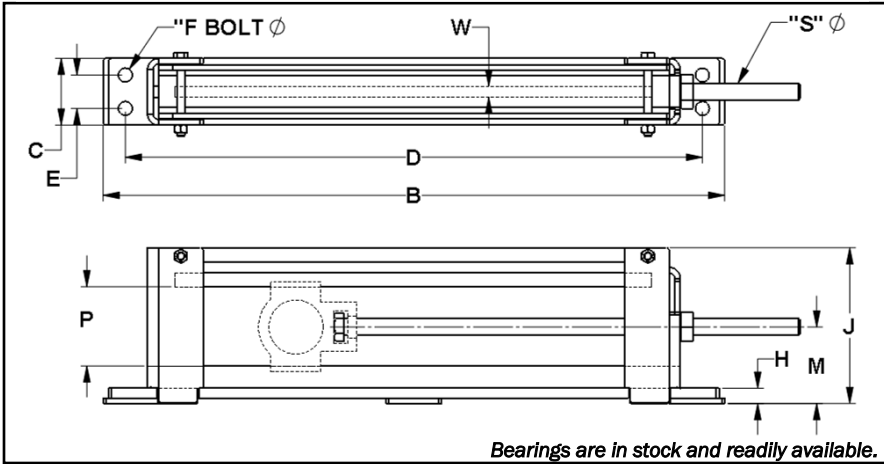
PCI Take-Up Frame covers are designed to protect internal components and are powder coated safety yellow to identify hidden moving components. To specify, add a "C" onto the part number of the corresponding frame.

For Example: 1SF10P/1SF10PC.

Covers are available in 304 Stainless Steel Construction. To specify Stainless Steel, add a "-SS" to the part number. For example: 1SF10PC-SS.

CONVEYING COMPONENTS

Take-Up Frames Center Pull



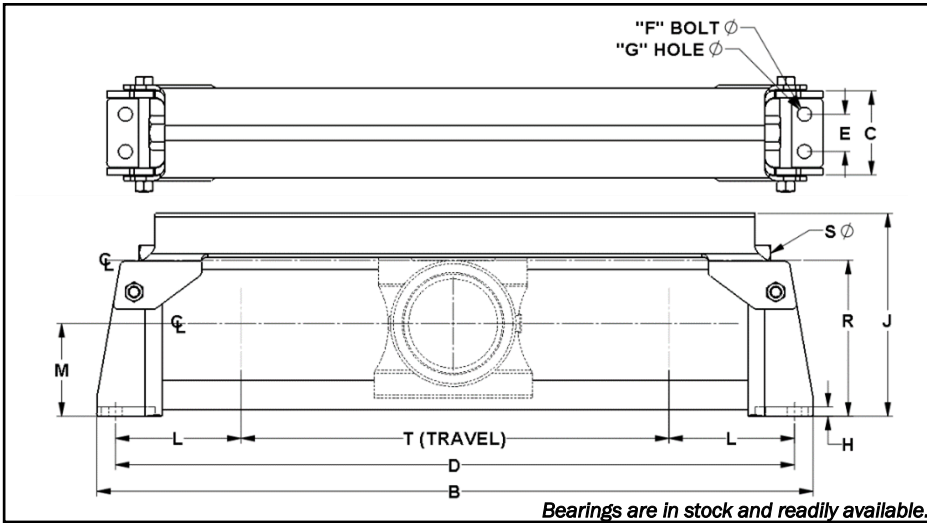
Available in 304 Stainless Steel construction, add "SS" to the part number. For Example: CP308X12TUFF-SS.

PCI Part#	Size	Nominal Travel	Max Travel	B	C	D	E	F		H	J	M	P	S Rod Dia.	W	Approx. Weight (lbs)
								No.	Bolt Dia.							
CP308X12TUFF	308	12	16 1/4	28	3	26	-	2	5/8	11/16	7	3 7/16	3 9/16	3/4	1/2	32
CP308X18TUFF		18	22 1/4	34		32										39
CP308X24TUFF		24	28 1/4	40		38										45
CP308X30TUFF		30	34 1/4	46		44										51
CP308X36TUFF		36	40 1/4	52		50										57
CP400X12TUFF	400	12	16 5/16	29 1/2	4	27 1/2	-	2	3/4	13/16	8 5/8	3 15/16	4 1/16	1	5/8	53
CP400X18TUFF		18	22 5/16	35 1/2		33 1/2										63
CP400X24TUFF		24	28 5/16	41 1/2		39 1/2										71
CP400X30TUFF		30	34 5/16	47 1/2		45 1/2										81
CP400X36TUFF		36	40 5/16	53 1/2		51 1/2										90
CP408X12TUFF	408	12	16	29 1/2	4	27 1/2	-	2	3/4	1	9 1/4	4 7/16	4 9/16	1 1/8	3/4	59
CP408X18TUFF		18	22	35 1/2		33 1/2										69
CP408X24TUFF		24	28	41 1/2		39 1/2										80
CP408X30TUFF		30	34	47 1/2		45 1/2										90
CP408X36TUFF		36	40	53 1/2		51 1/2										100
CP502X12TUFF	502	12	16 7/16	30 1/2	4	28 1/2	-	2	7/8	3/4	9 1/2	4 3/8	5 3/16	1 1/4	1	61
CP502X18TUFF		18	22 7/16	36 1/2		34 1/2										73
CP502X24TUFF		24	28 7/16	42 1/2		40 1/2										84
CP502X30TUFF		30	34 7/16	48 1/2		46 1/2										95
CP502X36TUFF		36	40 7/16	54 1/5		52 1/2										107
CP515X12TUFF	515	12	16 1/8	32 1/2	5	30 1/2	2	4	3/4	7/8	11 5/32	5 1/8	6	1 1/2	1 3/4	111
CP515X18TUFF		18	22 1/8	38 1/2		36 1/2										130
CP515X24TUFF		24	28 1/8	44 1/2		42 1/2										143
CP515X30TUFF		30	34 1/8	50 1/2		48 1/2										167
CP515X36TUFF		36	40 1/8	56 1/2		54 1/2										186
CP613X12TUFF	613	12	15 13/16	34 1/4	5	32	2	4	7/8	15/16	12 1/8	5 5/8	6 7/8	1 3/4	1 3/4	126
CP613X18TUFF		18	21 13/16	40 1/4		38										147
CP613X24TUFF		24	27 13/16	46 1/4		44										168
CP613X30TUFF		30	33 13/16	52 1/4		50										188
CP613X36TUFF		36	39 13/16	58 1/4		56										209
CP810X12TUFF	810	12	17 3/4	38 1/2	6	36	2 1/2	4	7/8	15/16	14 3/4	7	8 11/16	2	2	179
CP810X18TUFF		18	23 3/4	44 1/2		42										206
CP810X24TUFF		24	29 3/4	50 1/2		48										232
CP810X30TUFF		30	35 3/4	56 1/2		54										259
CP810X36TUFF		36	41 3/4	62 1/2		60										285
CP908X12TUFF	908	12	21	45 3/4	9	40 3/4	5	4	1 1/4	15/16	16 1/16	7 1/2	9 9/16	2	2	264
CP908X18TUFF		18	27	51 3/4		46 3/4										296
CP908X24TUFF		24	33	57 3/4		52 3/4										328
CP908X30TUFF		30	39	53 4/7		58 3/4										360
CP908X36TUFF		36	45	69 3/4		64 3/4										392
CP1004X12TUFF	1004	12	23 3/4	49 1/2	10	44 1/2	5 1/2	4	1 1/4	1 1/4	17 1/16	8 1/8	10 5/16	2 1/4	2	339
CP1004X18TUFF		18	29 3/4	55 1/2		50 1/2										376
CP1004X24TUFF		24	35 3/4	61 1/2		56 1/2										413
CP1004X30TUFF		30	41 3/4	67 1/2		62 1/2										451
CP1004X36TUFF		36	47 3/4	73 1/2		68 1/2										488

CONVEYING COMPONENTS

Take-Up Frames

Top Angle



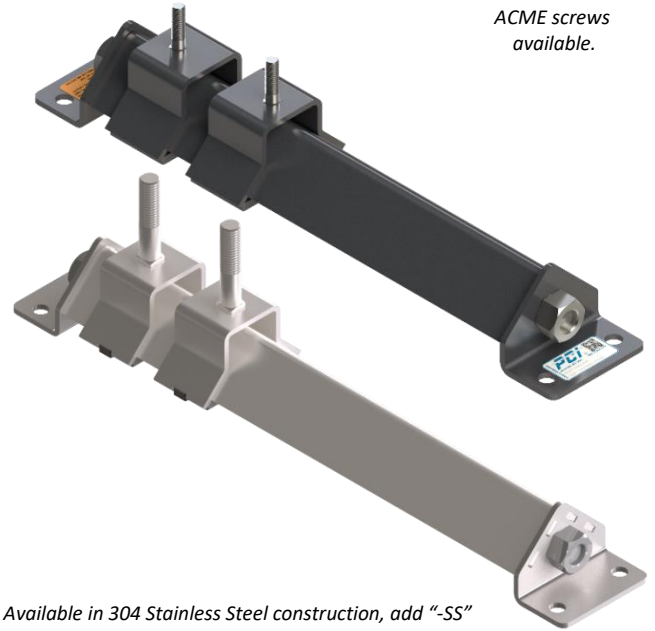
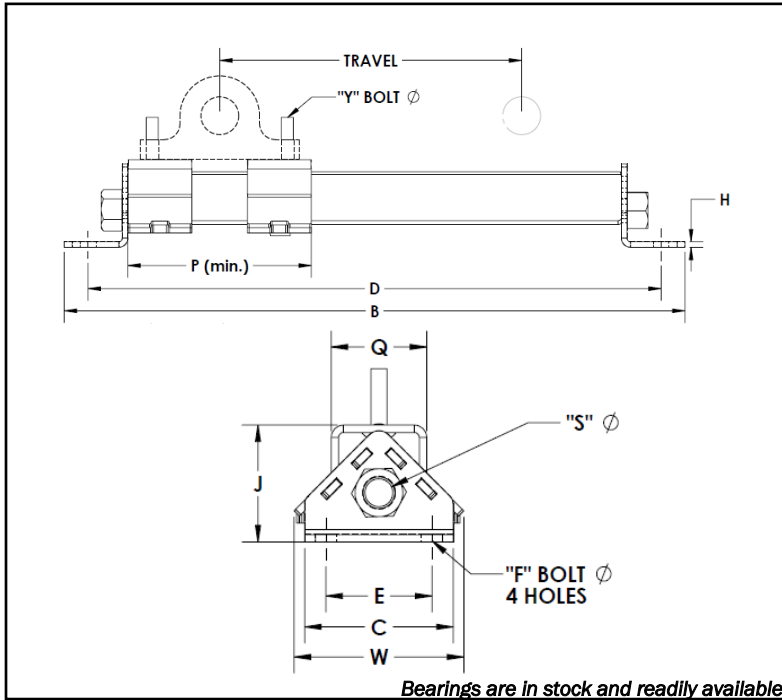
Available in 304 Stainless Steel construction, add "SS" to the part number. For Example: TP10X12TUF-SS.

PCI Part#	Size	Nominal Travel	Max Travel	B	C	D	E	F		H	J	L	M	R	S Rod Dia.	Max. Width (W)	Approx. Weight (lbs)
								No.	Bolt Dia.								
TP10X12TUF	10	12	15 1/2	28 1/2	3 1/2	26 1/2	-	2	3/4	1/2	8 1/4	5 1/2	3 15/16	6 3/8	3/4	5 1/8	36
TP10X18TUF	or 18	21 1/2	34 1/2	32 1/2		42											
TP10X24TUF	200	24	27 1/2	40 1/2		38 1/2											48
TP20X12TUF	20	12	16	29 1/2	3 1/2	27 1/2	-	2	3/4	1/2	8 7/8	5 3/4	4 3/16	6.98	3/4	5 1/8	37
TP20X18TUF	or 18	22	35 1/2	33 1/2		43											
TP20X24TUF	203	24	28	41 1/2		39 1/2											50
TP30X12TUF	30	12	15 1/2	30 1/2	4	28 1/2	-	2	7/8	1/2	9 7/8	6 1/2	4 3/8	7 7/16	1	5 3/4	46
TP30X18TUF	or 18	21 1/2	36 1/2	34 1/2		53											
TP30X24TUF	208	24	27 1/2	42 1/2		40 1/2											60
TP40X12TUF	40	12	16 1/2	32 1/2	4 1/2	30 1/2	2	4	3/4	1/2	10 7/8	7	4 15/16	8 3/8	1	6 3/16	61
TP40X18TUF	or 18	22 1/2	38 1/2	36 1/2		70											
TP40X24TUF	300	24	28 1/2	44 1/2		42 1/2											79
TP50X12TUF	50	12	16 1/2	34 1/2	4 1/2	32	2	4	7/8	1/2	12 7/16	7 3/4	5 7/16	9 1/2	1 1/4	6 1/2	66
TP50X18TUF	or 18	22 1/2	40 1/2	38		74											
TP50X24TUF	308	24	28 1/2	46 1/2		44											83
TP60X12TUF	60	12	18	38 1/2	5 1/2	36	2 1/2	4	7/8	3/4	14 3/16	9	7	11 3/8	1 1/4	7 1/2	85
TP60X18TUF	or 18	24	44 1/2	42		94											
TP60X24TUF	400	24	30	50 1/2		48											102

CONVEYING COMPONENTS

Take-Up Frames

Protected Screw Light Duty



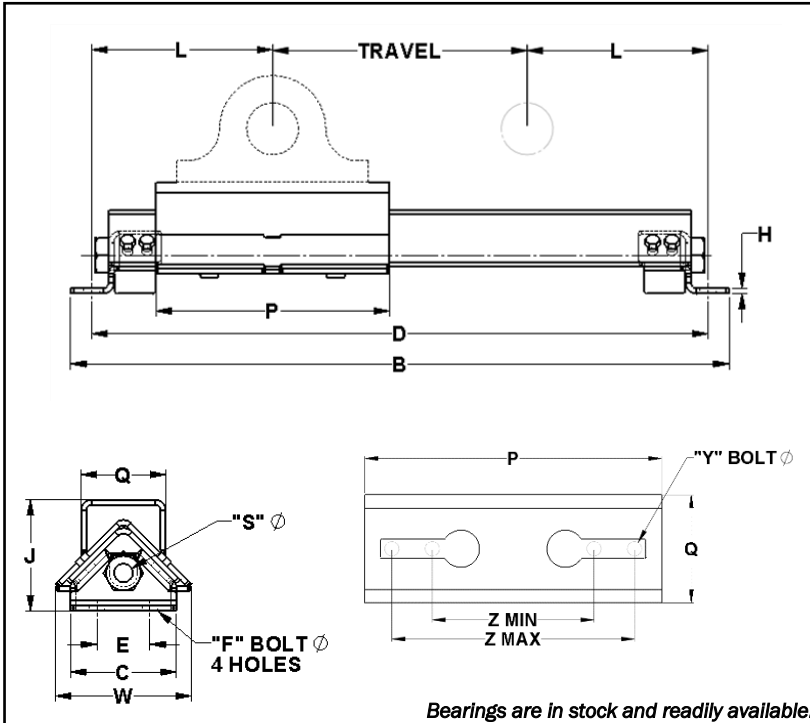
Available in 304 Stainless Steel construction, add "-SS" to the part number. For Example: LD10X12TUFF-SS.

PCI Part#	Size	Travel	B	C	D	E	F Bolt		H	J	P (Min.)	Q	S Rod Dia.	W	Y Bolt	Approx Weight (lbs)
							No.	Dia.								
LD10X6TUFF	10	6	19 1/2	3 1/2	18	2 1/2	4	1/2	3/16	2 3/4	5	2 1/4	3/4	4 1/8	3/8 x 1-1/2	9
LD10X9TUFF		9	22		20 1/2											10
LD10X12TUFF		12	25		23 1/2											11
LD10X18TUFF		18	33 1/2		32											14
LD20X6TUFF	20	6	19 1/2	3 1/2	18	2 1/2	4	1/2	3/16	2 3/4	5	2 1/4	3/4	4 1/8	1/2 x 2-1/2	9
LD20X9TUFF		9	22		20 1/2											10
LD20X12TUFF		12	25		23 1/2											11
LD20X18TUFF		18	33 1/2		32											14
LD20X24TUFF	24	39 1/2	38	16												
LD30X6TUFF	30	6	22 1/4	3 1/2	20 3/4	2 1/2	4	1/2	3/16	2 7/8	5	2 1/4	3/4	4 1/8	5/8 x 3	10
LD30X12TUFF		12	28 1/4		26 3/4											12
LD30X18TUFF		18	34 1/4		32 3/4											14
LD30X24TUFF		24	40 1/4		38 3/4											16
LD30X30TUFF	30	46 1/4	44 3/4	18												
LD40X6TUFF	40	6	22 1/4	4 1/4	20 1/2	3	4	5/8	1/4	3 3/16	6	2 3/4	3/4	4 1/2	5/8 x 3	15
LD40X12TUFF		12	28 1/4		26 1/2											18
LD40X18TUFF		18	34 1/4		32 1/2											20
LD40X24TUFF		24	40 1/4		38 1/2											23
LD40X30TUFF		30	46 1/4		44 1/2											26
LD40X36TUFF		36	52 1/4		50 1/2											29
LD45X12TUFF	45	12	33 1/4	5	31 1/2	3	4	3/4	5/16	4 1/8	7	3 1/2	1	5 1/2	3/4 x 3-1/2	33
LD45X18TUFF		18	39 1/4		37 1/2											37
LD45X24TUFF		24	45 1/4		43 1/2											42
LD45X30TUFF		30	51 1/4		49 1/2											46
LD45X36TUFF		36	57 1/4		55 1/2											50
LD45X42TUFF		42	63 1/4		61 1/2											55
LD45X48TUFF	48	69 1/4	67 1/2	59												
LD50X12TUFF	50	12	33 1/4	5	31 1/2	3	4	3/4	5/16	4 1/4	7	3 1/2	1	5 1/2	7/8 x 4	33
LD50X18TUFF		18	39 1/4		37 1/2											37
LD50X24TUFF		24	45 1/4		43 1/2											42
LD50X30TUFF		30	51 1/4		49 1/2											46
LD50X36TUFF		36	57 1/4		55 1/2											51
LD50X42TUFF		42	63 1/4		61 1/2											55
LD50X48TUFF	48	69 1/4	67 1/2	59												

CONVEYING COMPONENTS

Take-Up Frames

Protected Screw Heavy Duty



Bearings are in stock and readily available.

PCI Part#	Size	Nominal Travel	B	C	D	E	F		H	J	P	Q	S Rod Dia.	W	Y	Z		Approx. Weight (lbs)
							No.	Bolt Dia.								Min	Max	
HD200X 12T UFP	200 or 20	12	31	5	29	2 1/2	4	3/4	1/4	5 1/4	11	4	1	6 3/8	5/8	5 15/16	9 1/16	44
HD200X 18T UFP		18	37		35													48
HD200X 24T UFP		24	43		41													53
HD200X 30T UFP		30	49		47													57
HD200X 36T UFP		36	55		53													61
HD200X 48T UFP		48	67		65													70
HD250X 12T UFP	250 or 25	12	35 1/4	5 1/2	32 3/4	3	4	3/4	3/8	6 1/4	13 1/4	5	1	7 7/16	3/4	7 5/8	10 7/8	78
HD250X 18T UFP		18	41 1/4		38 3/4													84
HD250X 24T UFP		24	47 1/4		44 3/4													91
HD250X 30T UFP		30	53 1/4		50 3/4													97
HD250X 36T UFP		36	59 1/4		56 3/4													103
HD250X 48T UFP		48	71 1/4		68 3/4													116
HD250X 60T UFP	60	83 1/4	80 3/4	128														
HD300X 12T UFP	300 or 30	12	38 1/4	6 1/2	35 1/2	3	4	7/8	3/8	7	14 1/4	6	1 1/4	8 15/16	3/4	9 1/4	11 5/8	134
HD300X 18T UFP		18	44 1/4		41 1/2													143
HD300X 24T UFP		24	50 1/4		47 1/2													153
HD300X 30T UFP		30	56 1/4		53 1/2													163
HD300X 36T UFP		36	62 1/4		59 1/2													173
HD300X 48T UFP		48	74 1/4		71 1/2													193
HD300X 60T UFP	60	86 1/4	83 1/2	213														
HD350X 12T UFP	350 or 35	12	40	6 1/2	37 1/4	3	4	7/8	3/8	7	16	6	1 1/4	8 15/16	7/8	10 3/4	13 11/16	144
HD350X 18T UFP		18	46		43 1/4													154
HD350X 24T UFP		24	52		49 1/4													164
HD350X 30T UFP		30	58		55 1/4													174
HD350X 36T UFP		36	64		61 1/4													183
HD350X 48T UFP		48	76		73 1/4													203
HD350X 60T UFP	60	88	85 1/4	223														
HD400X 12T UFP	400 or 40	12	44	6 1/2	41 1/4	3	4	7/8	3/8	7	20	7 1/4	1 1/4	8 15/16	-	-	-	176
HD400X 18T UFP		18	50		47 1/4													186
HD400X 24T UFP		24	56		53 1/4													196
HD400X 30T UFP		30	62		59 1/4													206
HD400X 36T UFP		36	68		65 1/4													216
HD400X 48T UFP		48	80		77 1/4													236
HD400X 60T UFP	60	92	89 1/4	256														

PCI Heavy Duty Protected Screw Take-Up Frames through Size 350 are pre-drilled for use with 2-bolt pillow block bearing units but may be modified to allow for 4-bolt style bearings upon request. Size 400 frames are only available as drilled to customer specification.



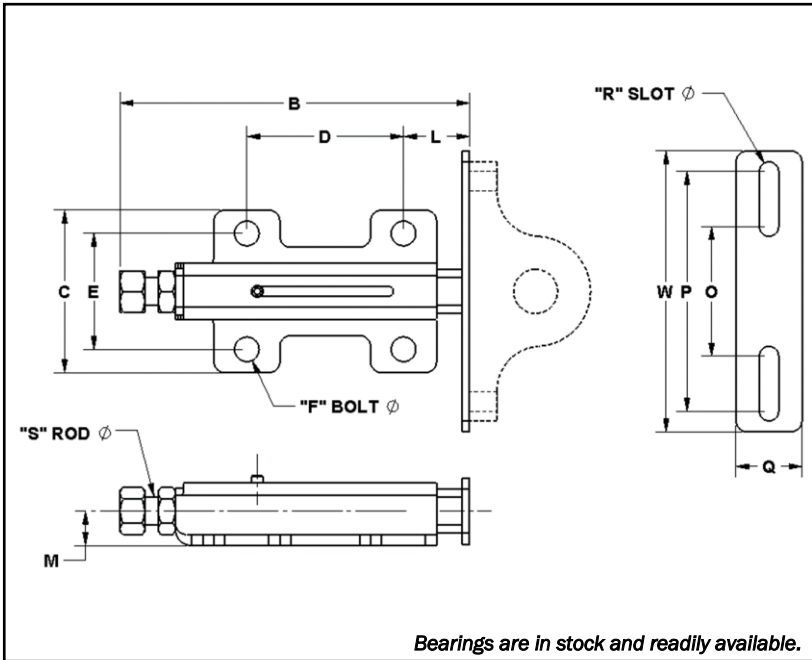
(989)358-6149

www.pcimfg.com

CONVEYING COMPONENTS

Take-Up Frames

Telescoping - Standard Duty



Bearings are in stock and readily available.



Carbon Steel Telescoping models include a dual purpose indicator pin/reube fitting as well as ACME screws.

Available in 304 Stainless Steel construction, add "-SS" to the part number. For Example: TS100X12TUFPP-SS.

PCI Part#	Size	Travel	B	C	D	E	F		L	M	O	P	Q	R Slot Dia.	S Rod Dia.	W	Approx. Weight (lbs)
							No.	Bolt Dia.									
TS100X3TUFPP	100	3	8 3/16	3 11/16	3 9/16	2 5/8	4	1/2	1 1/2	0.78	2 15/16	5 7/16	1 1/2	7/16	0.625	6 3/8	3
TS100X6TUFPP		6	11 11/16		7 1/16												5
TS100X9TUFPP		9	15 11/16		11 1/16												7
TS250X3TUFPP	250	3	9 3/8	4	4 3/8	3	4	1/2	1 5/8	1	3 13/16	5 11/16	2	5/8	0.75	7	6
TS250X6TUFPP		6	12 3/8		7 3/8												8
TS250X9TUFPP		9	15 3/8		10 3/8												10
TS250X12TUFPP		12	18 3/8		13 3/8												13
TS300X6TUFPP	300	6	14 1/8	5 1/4	6 1/8	4	4	5/8	1 7/8	1 3/8	5 9/16	8 11/16	2 3/4	3/4	1	10	16
TS300X9TUFPP		9	18 1/8		10 1/8												21
TS300X12TUFPP		12	22 1/8		14 1/8												26
TS300X18TUFPP		18	29 1/8		21 1/8												34
TS300X24TUFPP		24	35 1/8		27 1/8												41
TS300X36TUFPP		24	47 1/8		39 1/8												55
TS325X6TUFPP-SS	325	6	12 3/4	5 1/4	7 1/8	4	4	5/8	1 7/8	1.30	5 9/16	8 11/16	2.84	11/16	1	10	17
TS325X9TUFPP-SS		9	15 3/4		10 1/8												21
TS325X12TUFPP-SS		12	18 3/4		13 1/8												25
TS325X18TUFPP-SS		18	24 3/4		19 1/8												33
TS350X6TUFPP	350	6	16	6	9 5/8	4 1/2	4	5/8	1 7/8	1 1/2	5 9/16	8 11/16	3	3/4	1	10	23
TS350X9TUFPP		9	19		12 5/8												28
TS350X12TUFPP		12	22		15 5/8												33
TS350X18TUFPP		18	28		21 5/8												43
TS350X24TUFPP		24	34		27 5/8												53
TS400X6TUFPP	400	6	22 3/4	7 1/2	14	5 1/2	4	7/8	3 1/2	1.92	8 1/2	11 3/4	3 1/2	7/8	1.5	14	48
TS400X9TUFPP		9	25 3/4		17												55
TS400X12TUFPP		12	28 3/4		20												61
TS400X18TUFPP		18	34 3/4		26												74
TS400X24TUFPP		24	40 3/4		32												87
TS400X36TUFPP		36	52 3/4		44												113
TS400X48TUFPP		48	64 3/4		56												138
TS500X18TUFPP		500	18		43 7/8												11 1/2
TS500X24TUFPP	24		49 7/8	37	255												
TS500X36TUFPP	36		61 7/8	49	318												

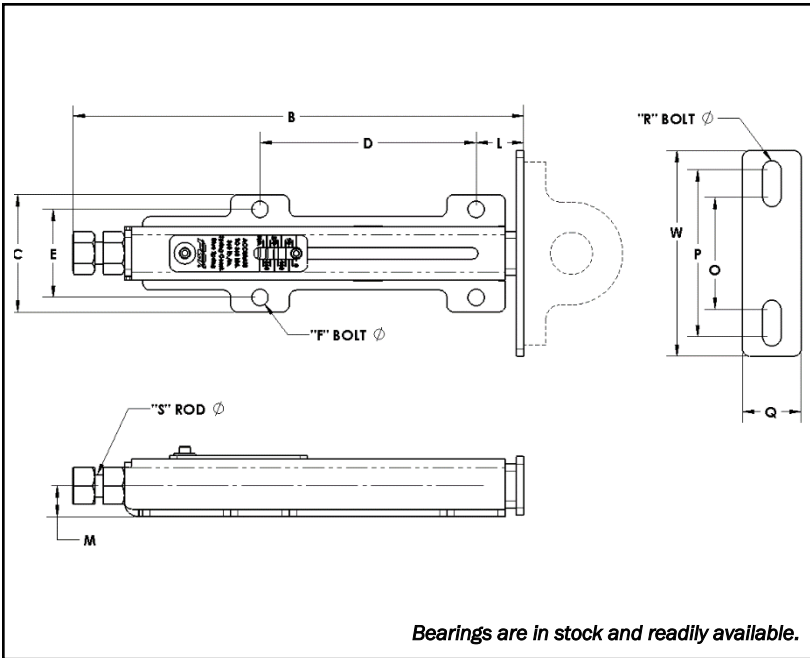
TS325 units available in Stainless Steel construction only.

TS300, TS400 and TS500 units available in Carbon Steel construction only.

CONVEYING COMPONENTS

Take-up Frames

Telescoping – Tension Indicating



Carbon Steel Telescoping models include a dual purpose indicator pin as well as ACME screws.



Available with various spring capacity. Specify 4-digit spring rate at the end of the part number. For example: TS100x3TUFF-SL0350 is a 350 lb. capacity frame.

Not Available in Stainless Steel

PCI Base Part#	Size	Avail. Spring Rates*	Travel	B	C	D	E	F		L	M	O	P	Q	R Slot Dia.	S Rod Dia.	W	Approx. Weight (lbs)	Optional Cover	
								No.	Bolt Dia.											
TS100X3TUFF-SL0180	100	0180	3	11 3/16	3 11/16	3 9/16	2 5/8	4	1/2	1 1/2	0.78	2 15/16	5 7/16	1 1/2	7/16	0.5	6 3/8	4	TS100X3TUFF-SL-C	
TS100X6TUFF-SL0180		0350	6	14 11/16		7 1/16												5	TS100X6TUFF-SL-C	
TS100X9TUFF-SL0180			9	18 11/16		11 1/16												8	TS100X9TUFF-SL-C	
TS250X3TUFF-SL0360	250	0360	3	12 3/8	4	4 3/8	3	4	1/2	1 5/8	1	3 13/16	5 11/16	2	5/8	0.75	7	8	TS250X3TUFF-SL-C	
TS250X6TUFF-SL0360		0480	6	15 3/8		7 3/8												10	TS250X6TUFF-SL-C	
TS250X9TUFF-SL0360		0800	9	18 3/8		10 3/8												12	TS250X9TUFF-SL-C	
TS250X12TUFF-SL0360		1200	12	21 3/8		13 3/8												15	TS250X12TUFF-SL-C	
TS300X6TUFF-SL0900		300	0900	6		17 1/8												5 1/4	6 1/8	4
TS300X9TUFF-SL0900				9	21 1/8	10 1/8	24	TS300X9TUFF-SL-C												
TS300X12TUFF-SL0900				12	25 1/8	14 1/8	29	TS300X12TUFF-SL-C												
TS300X18TUFF-SL0900				18	32 1/8	21 1/8	37	TS300X18TUFF-SL-C												
TS300X24TUFF-SL0900				24	38 1/8	27 1/8	44	TS300X24TUFF-SL-C												
TS300X36TUFF-SL0900				24	50 1/8	39 1/8	58	TS300X36TUFF-SL-C												
TS350X6TUFF-SL0900	350	0900	6	19	6	9 5/8	4 1/2	4	5/8	1 7/8	1 1/2	5 9/16	8 11/16	3	3/4	1	10	27	TS350X6TUFF-SL-C	
TS350X9TUFF-SL0900				9		22												12 5/8	32	TS350X9TUFF-SL-C
TS350X12TUFF-SL0900				12		25												15 5/8	37	TS350X12TUFF-SL-C
TS350X18TUFF-SL0900				18		31												21 5/8	47	TS350X18TUFF-SL-C
TS350X24TUFF-SL0900				24		37												27 5/8	57	TS350X24TUFF-SL-C
TS400X6TUFF-SL1400	400	1400	6	26 3/4	7 1/2	14	5 1/2	4	7/8	3 1/2	1.92	8 1/2	11 3/4	3 1/2	7/8	1.5	14	58	TS400X6TUFF-SL-C	
TS400X9TUFF-SL1400				9		29 3/4												17	65	TS400X9TUFF-SL-C
TS400X12TUFF-SL1400				12		32 3/4												20	71	TS400X12TUFF-SL-C
TS400X18TUFF-SL1400				18		38 3/4												26	84	TS400X18TUFF-SL-C
TS400X24TUFF-SL1400				24		44 3/4												32	97	TS400X24TUFF-SL-C
TS400X36TUFF-SL1400				36		56 3/4												44	123	TS400X36TUFF-SL-C
TS400X48TUFF-SL1400				48		68 3/4												56	148	TS400X48TUFF-SL-C

* To specify spring capacity, replace last four digits of standard part number with new spring rate using a zero "0" as the first of any three digit numbers to complete a four digit spring rate part number - Example: to order a 350 lb. capacity TS100X3TUFF, replace the last four digits of the standard part number with 0350, so the new part number is TS100X3TUFF-SL0350.

Optional Take-Up Frame Covers



Covers

PCI Take-Up Frame covers are designed to protect internal components and are powder coated safety yellow to identify hidden moving components. To specify, add a "C" onto the part number of the corresponding frame. For Example: TS100X3TUFF-SL/ TS100X3TUFF-SL -C.

CONVEYING COMPONENTS

Focus Flyer – Take-up Frames

Telescoping – Tension Indicating



Take-Up Frames are utilized on conveyor systems to promote belt tracking and prevent belt slippage by maintaining proper belt tension on both extensions of a tail/take-up pulley. Telescoping frames are side mounted, and their design allows the pulley and bearings to be cantilevered outside of the conveyor frame. PCI® Tension Indicating Telescoping Take-Up Frames utilize spring pressure to help maintain belt tension and automatically adjust for belt stretch and sudden load changes. Another feature, exclusive to PCI, is the tension indicating scale, which provides a real time readout of the belt tension-to help you *take the tension out of belt tensioning and tracking!*

DESIGN BENEFITS

**Real-time Belt Tension Readout
Offers Optimum Tracking and
Monitoring**

**Enables Quick and Easy Installment
for Rapid Set-up Duplication**

**Displays Available Amount of
Adjustment Left on the Take-Up
Frame**



Exclusive Tension Indicating Scale
(enlarged cut-a-way view shown)




CONVEYING COMPONENTS

Focus Flyer – Take-up Frames Telescoping – Tension Indicating



How is the PCI® Tension Indicating Telescoping Take-Up Frame different from other Spring Loaded Frames?

PCI Tension Indicating Telescoping Take-Up Frames help you *take the tension out of belt tensioning and tracking* by providing an actual “real-time” readout along with the amount of belt tension adjustment available, which enables an installer to record the optimum belt tension for reliable belt tracking. PCI utilizes premium die springs which provide long life, and consistent accuracy. Maintenance personnel can continuously monitor and re-adjust belt tension during normal operation, when changing out critical system components, or during set up of duplicate conveyor systems.

Feature	 Tension Indicating Telescoping Take-Up Frames	Competitive Spring Loaded Telescoping Take-Up Frames
Spring pressure accommodates for belt stretch over time.	✓	✓
Maintains belt tension in extreme hot or cold conditions by accommodating for thermal expansion and contraction of belts.	✓	✓
Improves the accuracy of belt scales by reducing the counter-effects of belt tension on scale readings.	✓	✓
Acts as a shock absorber, protecting the take-up pulley and belt from shock loading caused by sudden starts/stops, impacts, or debris between the belt and pulley.	✓	✓
Provides an actual real-time readout of belt tension.	✓	⊗
Enables an installer to record the optimum belt tension for reliable belt tracking.	✓	⊗
Allows maintenance personnel to continuously monitor belt tension, and re-adjust to optimum quickly and easily.	✓	⊗
Allows users to quickly and easily adjust the belt to the optimum tension when changing out a belt, pulley, or any other conveyor components.	✓	⊗
Enables rapid set up of duplicate conveyor systems by quickly adjusting the take-ups to the pre-determined optimum tension for belt tracking.	✓	⊗
Utilizes premium die springs for long life and consistent accurate readout.	✓	⊗
Displays to the user, the available amount of adjustment left on the take-up frame.	✓	⊗

CONVEYING COMPONENTS

Side or Top Mount Take-Up Frames


Cross Reference & Bearing Selection Charts



Narrow Slot

These tables are provided to assist with bearing selection process. This information does not include all potential bearing options. Maximum and minimum bores sizes listed are an attempt to communicate the absolute limits for bore size available for a given frame style and are dependent on manufacturer design and style of bearing selected. Bearing equivalency and specifications should be reviewed to ensure compliance with take-up frame specifications. Bearing selection is the sole responsibility of the user.

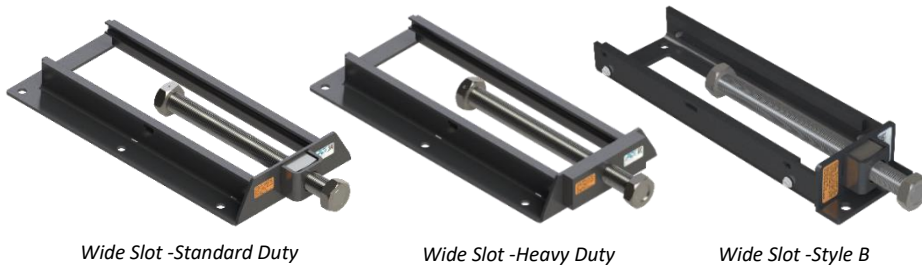
Contact PCI for Bearing availability.

NS - Narrow Slot Take-Up Frame Cross Reference							
Take-Up Frame			Useable Bearings & Bore Range (Range includes .50" Min. - 2.4375" Max.)				
	Dodge	Dodge	Bearing Series	Ball Bearings			
				Dodge			
				Normal Duty NSTU - SC		Medium Duty NSTU - SCM	
				Min.	Max.	Min.	Max.
1400	NS210	038109	204 - 205	1/2"	1"	-----	-----
1401 - 1402	NS308	038110 - 038111	206 - 207	1 1/16"	1 7/16"	1"	1 1/4"
1403 - 1406	NS400	038112 - 038115	208 - 209 - 210	1 1/2"	2"	1 7/16"	1 3/4"
1407 - 1408	NS407	038116 - 038117	211	2"	2 1/4"	1 15/16"	2"
1409 - 1410	NS415	038118 - 038119	212	2 1/4"	2 7/16"	2 3/16"	2 1/4"

CONVEYING COMPONENTS

Side Mount Take-Up Frames

Cross Reference & Bearing Selection Charts



Wide Slot - Standard Duty

Wide Slot - Heavy Duty

Wide Slot - Style B

These tables are provided to assist with bearing selection process. This information does not include all potential bearing options. Maximum and minimum bores sizes listed are an attempt to communicate the absolute limits for bore size available for a given frame style and are dependent on manufacturer design and style of bearing selected. Bearing equivalency and specifications should be reviewed to ensure compliance with take-up frame specifications. Bearing selection is the sole responsibility of the user.

Contact PCI for Bearing availability.

WS & WHD - Wide Slot Take-Up Frame Cross Reference								
Take-Up Frame				Useable Bearings & Bore Range (Range includes .50" Min. - 3.00" Max.)				
	Dodge	PPI	Bearing Series	Ball Bearings				
				Dodge				
				Normal Duty WSTU - SC		Medium Duty WSTU - SCM		
				Min.	Max.	Min.	Max.	
1411 - 1415	WS300	038200 - 038204	PWS-100	204 - 205	1/2"	1"	-----	-----
1416 - 1420	WS308	038205 - 038209	PWS-108	206 - 207	1 1/16"	1 7/16"	1"	1 1/4"
1421 - 1425	WS400	038210 - 038214	PWS-200	208 - 209 - 210	1 1/2"	2"	1 7/16"	1 3/4"
1426 - 1431	WS502	038215 - 038220	PWS-208	211 - 212	2"	2 7/16"	1 15/16"	2 1/4"
1432 - 1436	WS515	038221 - 038225	PWS-300	214 - 215	2 1/2"	2 15/16"	2 7/16"	2 11/16"
1437 - 1440	WS608	038226 - 038229	PWS-308	216	-----	-----	2 15/16"	3"

WS Style B - Wide Slot Take-Up Frame Cross Reference								
Take-Up Frame				Useable Bearings & Bore Range (Range includes .50" Min. - 3.00" Max.)				
	Browning (Regal Beloit)	Hub City (Regal Beloit)	Bearing Series	Ball Bearings				
				Dodge				
				Normal Duty WSTU - SC		Medium Duty WSTU - SCM		
				Min.	Max.	Min.	Max.	
1SF10P - 9SF16P	1SF10 - 9SF16	1TWS200AC - 9TWS200AC	204 - 205	1/2"	1"	-----	-----	
3SF23P - 12SF23P	3SF23 - 12SF23	3TWS200DE - 12TWS200DE	206 - 207	1 1/16"	1 7/16"	1"	1 1/4"	
3SF31P - 18SF31P	3SF31 - 18SF31	3TWS200FH - 18TWS200FH	208 - 209 - 210	1 1/2"	2"	1 7/16"	1 3/4"	
9SF39P - 18SF39P	9SF39 - 18SF39	9TWS200JK - 18TWS200JK	211 - 212	2"	2 7/16"	1 15/16"	2 1/4"	

CONVEYING COMPONENTS

Top Mount Take-Up Frames

Cross Reference & Bearing Selection Charts



Center Pull

These tables are provided to assist with bearing selection process. This information does not include all potential bearing options. Maximum and minimum bores sizes listed are an attempt to communicate the absolute limits for bore size available for a given frame style and are dependent on manufacturer design and style of bearing selected. Bearing equivalency and specifications should be reviewed to ensure compliance with take-up frame specifications. Bearing selection is the sole responsibility of the user.

Contact PCI for Bearing availability.

CP - Center Pull Take-Up Frame Cross Reference								
Take-Up Frame			Useable Bearings & Bore Range (Range includes 1.125" Min. - 4.9375" Max.)					
PCI	Dodge	PPI	Spherical Roller Bearings				Tapered Roller Bearings	
			Dodge					
			Imperial WSTU		WSTU S2 S-2000		WSTU TYPE K / TYPE E	
			Min.	Max.	Min.	Max.	Min.	Max.
CP308	CP308	PCP108	1 1/8"	1 1/2"	1 3/8"	1 1/2"	1 3/8"	1 7/16"
CP400	CP400	PCP200	1 5/8"	2"	1 11/16"	2"	1 1/2"	2"
CP408	CP408	PCP203	2 3/16"	2 1/4"	-----	2 3/16"	-----	2 3/16"
CP502	CP502	PCP208	2 3/8"	2 1/2"	-----	2 7/16"	2 1/4"	2 1/2"
CP515	CP515	PCP300	2 11/16"	3"	2 11/16"	3"	2 11/16"	3"
CP613	CP613	PCP308	3 3/16"	3 1/2"	-----	3 7/16"	-----	-----
CP810	CP810	PCP400	3 11/16"	4"	-----	3 15/16"	-----	-----
CP908	CP908	PCP408	-----	-----	-----	4 7/16"	-----	-----
CP1004	CP1004	PCP500	-----	-----	-----	4 15/16"	-----	-----

CONVEYING COMPONENTS

Top Mount Take-Up Frames

Cross Reference & Bearing Selection Charts



Top Angle

These tables are provided to assist with bearing selection process. This information does not include all potential bearing options. Maximum and minimum bores sizes listed are an attempt to communicate the absolute limits for bore size available for a given frame style and are dependent on manufacturer design and style of bearing selected. Bearing equivalency and specifications should be reviewed to ensure compliance with take-up frame specifications. Bearing selection is the sole responsibility of the user.

Contact PCI for Bearing availability.

TP - Top Angle Take-Up Frame Cross Reference										
Take-Up Frame			Useable Bearings & Bore Range (Range includes 1.6875" Min. - 4.00" Max.)							
PCI	Dodge	PPI	Ball Bearings				Spherical Roller Bearings		Tapered Roller Bearings	
			Dodge							
			TPTU TYPE G		TPTU TYPE GM		TPHU S-2000		TPTU TYPE K / TYPE E	
			Min.	Max.	Min.	Max.	Min.	Max.	Min.	Max.
TP10	TP10	PTA200	1 15/16"	2"	1 11/16"	1 3/4"	1 15/16"	2"	1 3/4"	2"
TP20	TP20	PTA203	2"	2 1/4"	1 15/16"	2"	-----	-----	-----	2 3/16"
TP30	TP30	PTA208	2 1/4"	2 7/16"	2 3/16"	2 1/4"	-----	2 3/16"	2 1/4"	2 1/2"
TP40	TP40	PTA300	2 1/2"	2 15/16"	2 7/16"	2 11/16"	2 7/16"	3"	2 11/16"	3"
TP50	TP50	PTA308	-----	-----	2 15/16"	3"	-----	3 7/16"	3 3/16"	3 1/2"
TP60	TP60	PTA400	-----	-----	3 7/16"	3 1/2"	-----	4 7/16"	3 15/16"	4"

CONVEYING COMPONENTS

Top Mount Take-Up Frames

Cross Reference & Bearing Selection Charts



Protected Screw – Light Duty

Protected Screw – Heavy Duty

These tables are provided to assist with bearing selection process. This information does not include all potential bearing options. Maximum and minimum bores sizes listed are an attempt to communicate the absolute limits for bore size available for a given frame style and are dependent on manufacturer design and style of bearing selected. Bearing equivalency and specifications should be reviewed to ensure compliance with take-up frame specifications. Bearing selection is the sole responsibility of the user.

Contact PCI for Bearing availability.

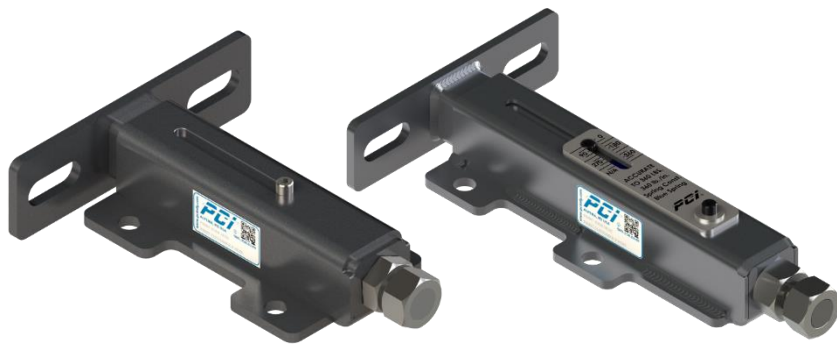
LD- Light Duty Protected Screw Cross Reference																		
Take-Up Frame			Useable Bearings & Maximum Bore (range includes .50" Min - 3.50" Max)															
PCI	Dodge	PPI	Ball Bearings								Roller Bearings							
			Dodge				SKF				Dodge			SKF				
			SC		SCM		SY		SYM		S-2000		Type E		SYR		SYE	
			Min.	Max.	Min.	Max.	Min.	Max.	Min.	Max.	Min.	Max.	Min.	Max.	Min.	Max.	Min.	Max.
LD10	LD10	PLD100	1/2"	15/16"	-----	-----	1/2"	7/8"	-----	-----	-----	1 3/16"	1 1/4"	-----	-----	-----	-----	
LD20	LD20	PLD108	1 1/16"	1 3/4"	1"	1 1/2"	1 1/16"	1 3/4"	1"	1 1/2"	1 3/8"	1 3/4"	1 3/8"	1 11/16"	1 7/16"	1 1/2"	-----	
LD30	LD30	PLD200	1 15/16"	2"	1 11/16"	1 3/4"	-----	1 15/16"	1 11/16"	1 3/4"	1 15/16"	2"	-----	-----	-----	-----	-----	
LD40	LD40	PLD208	2"	2 7/16"	1 15/16"	2 1/4"	2"	2 7/16"	1- 1/16"	2 3/16"	2 3/16"	2 7/16"	1 3/4"	2 1/2"	2 3/16"	2 1/2"	1 1/2"	2 3/16"
LD45	LD45	PLD300	2 1/2"	2 11/16"	2 7/16"	2 1/2"	2 1/2"	2 15/16"	2 7/16"	2 1/2"	2 11/16"	3"	2 11/16"	3 1/2"	2 11/16"	3"	2 7/16"	3"
LD50	LD50	PLD308	-----	2 15/16"	2 11/16"	3 1/2"	-----	-----	2 11/16"	3"	-----	3 7/16"	3 3/16"	3 1/2"	3 7/16"	3 1/2"	3 7/16"	3 1/2"

HD - Heavy Duty Protected Screw Take-Up Frame Cross Reference																	
Take-Up Frame			Useable Bearings & Maximum Bore (range includes 1.4375" Min - 5.00" Max)														
PCI	Dodge	PPI	Ball Bearings		Spherical Roller Bearings						Tapered Roller Bearings						
			SKF						Dodge								
			SYM (P2BM)		SYE (P2BE)		SAF 22500		S-2000		USAF 500		TAF		Type K / Type E Extra		
			Min.	Max.	Min.	Max.	Min.	Max.	Min.	Max.	Min.	Max.	Min.	Max.	Min.	Max.	
HD200	HD200	PHD200	1 11/16"	2 3/16"	1 1/2"	2 1/2"	1 13/16"	2 1/2"	1 3/8"	2 11/16"	1 15/16"	2 3/16"	2 7/16"	2 1/2"	1 1/2"	2 1/2"	
HD250	HD250	PHD208	2 7/16"	3"	2 11/16"	3"	2 5/8"	3 1/4"	2 15/16"	3"	2 7/16"	3"	2 15/16"	3"	2 11/16"	3"	
HD300	HD300	PHD300	-----	-----	2 11/16"	3"	2 5/8"	3 1/4"	-----	3 7/16"	-----	3 3/16"	2 15/16"	3"	2 11/16"	3"	
HD350	HD350	PHD308	-----	-----	3 3/16"	3 1/2"	3 5/16"	3 1/2"	3 15/16"	4 7/16"	3 7/16"	3 1/2"	3 7/16"	4"	3 3/16"	3 1/2"	
HD400	HD400	PHD400	-----	-----	-----	-----	-----	4 7/16"	-----	4 15/16"	3 15/16"	4 1/2"	4 7/16"	5"	3 15/16"	5"	

CONVEYING COMPONENTS

Side or End Mount Take-Up Frames

Cross Reference & Bearing Selection Charts



Telescoping

Telescoping – Tension Indicating

These tables are provided to assist with bearing selection process. This information does not include all potential bearing options. Maximum and minimum bores sizes listed are an attempt to communicate the absolute limits for bore size available for a given frame style and are dependent on manufacturer design and style of bearing selected. Bearing equivalency and specifications should be reviewed to ensure compliance with take-up frame specifications. Bearing selection is the sole responsibility of the user.

Contact PCI for Bearing availability.

TS- Telescoping Take-Up Frame Cross Reference																		
Take-Up Frame			Useable Bearings & Maximum Bore (range includes 1.0625" Min - 6.00" Max)															
PCI	Bryant	PPI	Ball Bearings								Roller Bearings							
			Dodge				SKF				Dodge				SKF			
			SC		SCM		SY		SYM		S-2000		TYPE E / TYPE K		SYR		SYE	
			Min.	Max.	Min.	Max.	Min.	Max.	Min.	Max.	Min.	Max.	Min.	Max.	Min.	Max.	Min.	Max.
TS100	100	N/A	1/2"	1"	-----	-----	1/2"	1"	-----	-----	-----	-----	-----	-----	-----	-----	-----	-----
TS250	250	PST250	1 1/16"	1 3/4"	1"	1 1/2"	1 1/16"	1 7/16"	1"	1 3/16"	1 3/8"	1 1/2"	1 3/16"	1 7/16"	1 7/16"	1 1/2"	-----	-----
TS300	300	PST300	1 15/16"	2 11/16"	1 11/16"	2 1/2"	1 1/2"	2 7/16"	1 7/16"	2 3/16"	1 11/16"	2 3/16"	1 3/8"	2 3/16"	1 11/16"	2 1/2"	1 7/16"	2 3/16"
TS350	350HD	PST350	-----	2 15/16"	2 11/16"	3"	1 1/2"	2 7/16"	1 7/16"	2 3/16"	2-7/16"	3"	2 1/4"	2 1/2"	1 11/16"	3"	1 7/16"	2 3/16"
TS400	400	PST400	-----	2 15/16"	2 15/16"	3"	2 1/2"	2 15/16"	2 7/16"	3"	-----	3 7/16"	2 11/16"	3 1/2"	3 7/16"	3 1/2"	3 7/16"	3 1/2"
TS500	500	PST500	-----	-----	-----	-----	-----	-----	-----	-----	-----	3 15/16"	4 15/16"	3 3/16"	5"	3 15/16"	4"	-----